



恩荣液压



公司简介

Company Profile



常州市恩荣液压科技有限公司（武进区雪堰众力液压机械厂）位于常州市武进区雪堰镇潘家，成立于2011年，是一家专业从事自卸车密封执行机构、液压油缸、液压动力单元及相关液压件制造的企业。主要定型产品有三大系列，即：HPU型液压动力单元；液压油缸；自卸车密封执行机构（硬盖密封机构和篷布密封机构）。另外，还生产各种油路块、液压附件以及为用户提供专业的技术服务等。

产品广泛应用于仓储、物流运转机械及汽车相关机械、工程机械、铁路机械等领域。HPU型交、直流液压动力单元采用国际流行的K型齿轮泵，专用CE标准油泵电机，高强度塑料油箱或金属油箱可选，具有上百种油路设计可以满足不同类型的需要。主要应用范围：汽车举升机、汽车尾板、电动堆高机、升降平台、叉车、电动篮球架、硫化机、塑管焊接机、混凝土搅拌机、箱式展翼车、环保加盖车、垃圾压缩机、消防设备、登车桥、卫星信号接收器、医疗设施、食品机械等。

本厂拥有一支优秀的管理团队，一批先进的生产设备和一群高素质的技术开发人才。设计开发全部置于AutoCAD平台及SolidWork平台，生产制造模块化。产品的制造品质，公司的运作效率有可靠的基础和保证。

制造精品，塑造人品是恩荣液压全体员工的不懈追求。以科技求发展，不断开发新的产品适应新的市场，以诚信为原则，以质量求生存，不断开拓进取，以求稳固和发展壮大。可承接不同行业、不同功能要求的该类型产品设计和制造。

欢迎垂询并索取详细资料。

CHANGZHOU ROHN HYDRAULIC SCI-TECH CO.,LTD (Wujin Xueyan Zhongli Hydraulic Machinery Factory) was founded in May 2011. Our factory is located in Panjia XueyanTown Wujin District Changzhou City, Jiangsu province.

The factory is a professional engaged in self dumping truck sealing actuator, hydraulic cylinder, hydraulic power unit and hydraulic parts manufacturing enterprises. The main products have three series, namely: HPU type hydraulic power unit; hydraulic cylinder; HZM series truck sealing actuator. In addition, our factory also produces various circuit block, hydraulic accessories as well as professional technical after sales services.

The products of our factory are widely used in the field of warehousing, logistics machinery and automobile machinery, engineering machinery, railway machinery, etc. The HPU type AC, DC power unit using the international popular K type gear pump , special CE standard oil pump motor, high strength plastic fuel tank or metal tank is optional, with hundreds of circuit design which can meet the needs of different requests. Main application: auto lift, tailgate lift, electric stacker, lifting platform, forklift, electric basketball, vulcanizing machine, plastic pipe welding machine, concrete mixer, wingspan van, environmental protection van, garbage compressor, fire fighting equipment, dock leveller, satellite receiver, medical facilities, food machinery and so on.

Our factory has an excellent management team, a number of advanced production equipment and a group of high-quality technical development personnel. The designing work is based on the AutoCAD platform and SolidWork platform. The quality of manufactured products, the operation efficiency of company is the basis and guarantee of reliable.

Manufacturing quality, shaping the character is the relentless pursuit of all the ROHN hydraulic staff. With technical development, constantly developing new products to adapt to the new market, taking the principle of good faith, the quality of survival, and continuously forging ahead, in order to stabilize and develop. We can undertake this kind products of different industries and different functional requirements , designing and manufacturing.

Welcome to call us for detailed catalog.

产品目录

PRODUCT CONTENTS



订货须知	ORDERING ATTENTION	01
液压动力单元型号说明	POWER UNITS ORDERING GUIDANCE	02
液压原理图	HYDRAULIC CIRCUIT OPTIONAL	03
典型中间阀块(FKA)	GENERAL INTERMEDIATE MANIFOLD (FKA)	05
典型中间阀块(FKB)	GENERAL INTERMEDIATE MANIFOLD (FKB)	06
典型中间阀块(FKC)	GENERAL INTERMEDIATE MANIFOLD (FKC)	07
托盘车动力单元1	PALLET TRUCK POWER UNIT 1	08
托盘车动力单元2	PALLET TRUCK POWER UNIT 2	09
医疗用微型动力单元	MINI POWER UNIT FOR MEDICAL FACILITY	10
半电动堆高车用动力单元1	SEMI-ELECTRIC STACKER POWER UNIT 1	11
半电动堆高车用动力单元2	SEMI-ELECTRIC STACKER POWER UNIT 2	12
全电动堆高车用动力单元1	ELECTRIC STACKER POWER UNIT 1	13
全电动堆高车用动力单元2	ELECTRIC STACKER POWER UNIT 2	14
小型电动叉车动力单元	SMALL ELECTRIC FORKLIFT POWER UNIT	15
高空作业平台用动力单元1	POWER UNIT FOR AERIAL WORKING PLATFORM 1	16
高空作业平台用动力单元2	POWER UNIT FOR AERIAL WORKING PLATFORM 2	17
高空取料机用动力单元	POWER UNIT FOR HIGH-ALTITUDE PICK-UP	18
篮球架液压动力单元	BASKETBALL RACK HYDRAULIC POWER UNIT	19
扒胎机用动力单元	TYRE CHANGER POWER UNIT	20
汽车尾板用动力单元1	TAILGATE LIFT POWER UNIT 1	21
汽车尾板用动力单元2	TAILGATE LIFT POWER UNIT 2	22
汽车尾板用动力单元3	TAILGATE LIFT POWER UNIT 3	23
自卸车加盖动力单元	POWER UNITS FOR DUMPING TRUCK COVERING	24
金相试样镶嵌机用动力单元	POWER UNITS FOR METALLOGRAPHIC INLAY MACHINE	25
汽车举升机用动力单元1	POWER UNITS FOR CAR LIFT 1	26
汽车举升机用动力单元2	POWER UNITS FOR CAR LIFT 2	27
汽车举升机用动力单元3	POWER UNITS FOR CAR LIFT 3	28

产品目录

PRODUCT CONTENTS



大剪升降机用动力单元	POWER UNITS FOR DOUBLE-SCISSORS LIFT	29
自卸拖车动力单元1	DUMP TRAILER POWER UNIT 1	30
自卸拖车动力单元2	DUMP TRAILER POWER UNIT 2	31
自卸拖车动力单元3	DUMP TRAILER POWER UNIT 3	32
防撞缓冲车动力单元	ANTICOLLISION BUFFERING TRUCK POWER UNITS	33
升降平台动力单元1	LIFT TABLE POWER UNITS 1	34
升降平台动力单元2	LIFT TABLE POWER UNITS 2	35
升降平台动力单元3	LIFT TABLE POWER UNITS 3	36
登车桥动力单元1	POWER UNITS FOR DOCK LEVELER 1	37
登车桥动力单元2	POWER UNITS FOR DOCK LEVELER 2	38
双向动力单元	BIDIRECTIONAL POWER UNIT	39
车用轮椅升降台动力单元	WHEELCHAIR LIFT POWER UNIT	40
客车座椅升降系统动力单元	HYDRAULIC POWER PACK FOR BUS WHEELCHAIR LIFTING SYSTEM	41
展翼车动力单元1	WINGSPAN VAN POWER UNIT 1	42
展翼车动力单元2	WINGSPAN VAN POWER UNIT 2	43
雪板液压动力单元1	SNOW REMOVER POWER UNIT 1	44
雪板液压动力单元2	SNOW REMOVER POWER UNIT 2	45
液压支腿动力单元	HYDRAULIC LEG POWER UNIT	46
液压爬梯动力单元1	HYDRAULIC CLIMBING LADDER POWER UNIT 1	47
液压爬梯动力单元2	HYDRAULIC CLIMBING LADDER POWER UNIT 2	48
简易停车设备用动力单元	POWER UNIT FOR COMPACT PARK EQUIPMENT	49
轿运车动力单元	HYDRAULIC POWER PACK FOR CAR CARRIER	50
双作用动力单元1	DOUBLE ACTING POWER UNITS 1	51
双作用动力单元2	DOUBLE ACTING POWER UNITS 2	52
DC电机泵站1	DC MOTOR PUMP GROUP 1	53
DC电机泵站2	DC MOTOR PUMP GROUP 2	54
DC电机泵站3	DC MOTOR PUMP GROUP 3	55

1. 订购本公司样本所列的动力单元或相关配件时，请仔细阅读“液压动力单元型号说明”的内容，严格按照所列的技术参数，一定考虑到液压原理（或应用）、系统压力、系统流量、安装形式（卧式或立式）、油口尺寸等相关因素。

2. 本公司产品自出货之日起一年内，用户严格按使用说明书规定，正确安装并在压力范围内使用，因我公司的设计制造原因而出现质量问题，无法正常工作，请提供使用过程中的不良记录，本公司负责维修、更换或退货。

3. 请用户妥善运输、保管、使用，如有任何疑问，请与本公司售后服务部门联系。

1. When choosing the power unit or concerning parts from this catalog, please take into consideration of Hydraulic circuit (i.e. application), system pressure and flow, mounting type (horizontal or vertical), oil port, etc. Check the "POWER UNITS ORDERING GUIDANCE" sheet and the feature parameter mentioned in the instruction sheet.

2. The ROHN products' warranty period is one year since the cargo delivery date. For the benefit of the original purchaser of its products, ROHN undertake to maintain, replace or return the products due to the designing problem or quality problem. The warranty shall not be applied when the user do not use the products according to the instruction or can not present the complete using record.

3. The product should be protected well from moisture, bumping as in the condition of storage, transportation and operation.

液 压 动 力 单 元 型 号 说 明

POWER UNITS ORDERING GUIDANCE



HPU ☆ - ☆ ☆ ☆ ☆ / ☆ ☆ ☆ ☆ ☆ ☆ ☆

(1) (2) (3) (4) (5) (6) (7) (8) (9) (10) (11) (12) (13)

(1) 【产品名称Product name】

液压动力单元 hydraulic power units

(2) 【系列号Series No.】

“1”代表泵座材质为铝型材，“2”代表泵座材质为压铸铝。

“1” means the manifold material is aluminium profile, “2” means the manifold material is cast iron.

(3) 【液压原理图Hydraulic circuit optional】

01 - 150 (详细信息见下页“液压原理图” Hydraulic circuit No. See the hydraulic circuit in the following page.) ;

(4) 【电机电压Motor voltage】

①直流电机DC motor: A-12V, B-24V, C-48V; D-60V; E-72V; J-80V; K-96V

②交流电机AC motor: F-110V, G-220V, H-380V, I-415V, L-230/460V, M-115/230V, N-200V, O-110/220V, P-220/380V, Q-230/400V, R-460V, S-400V, T-240V, U-120V, V-230V, W-440V, X-100V, Y-277V, Z-575V

(5) 【电机功率Motor power】

①直流电机DC motor: A-0.5Kw, B-0.8Kw, C-1.2Kw, D-1.6Kw, E-2.0Kw, F-2.2 Kw, G-3.0Kw, H-4.0Kw,

②交流电机AC motor: I-0.37Kw, J-0.55Kw, K-0.75Kw, L-1.1Kw, M-1.5Kw, N-1.85Kw, O-2.2Kw, P-3.0Kw, Q-4.0Kw;

(6) 【电机转速Motor speed】

①直流电机DC motor: A-2500rpm, B-3500rpm, C-4500rpm;

②50Hz交流电机AC motor: D-1400rpm, E-2800rpm; I-960 rpm; J-1400/2800 rpm;

③60Hz交流电机AC motor: F-1100rpm, G-1750rpm, H-3450rpm;

④对50Hz/60Hz双频变频电机: K-50Hz/60Hz双频, 二级电机, L-50Hz/60Hz双频, 四级电机

※注: 连续工作制电机请在电机参数后加“(S1)”。 Note: Continues Duty, add (S1).

(7) 【齿轮泵公称排量Rated pump displacement】

A-0.17cc/r, B-0.25cc/r, C-0.5cc/r, D-0.63cc/r, E-0.75cc/r, F-1.1cc/r, G-1.3cc/r, H-1.6cc/r, I-2.1cc/r, J-2.3cc/r, K-2.6cc/r, L-3.2cc/r, M-3.7cc/r, N-4.2cc/r, O-4.8cc/r, P-5.8cc/r, Q-6.8cc/r, R-7.8cc/r; S-8.5cc/r, T-9.5cc/r, U-10.6cc/r

(8) 【电磁阀电压Solenoid valve volt】

A-DC 12V, B-DC 24V, C-AC 24V, D-AC 110V, E-AC 220V, J-DC 48V, K-DC 60V, F-手动卸荷阀Manual Release Valve,

G-微动开关手动卸荷阀 Manual Release Valve With Micro Switch; H-其他Without

※注: 需手动应急旋钮的在电磁阀参数后加“(N)”。 Note: Add “N” at the end if you need emergency manual knob

(9) 【安装方式Mounting Type】

H-卧式Horizontal, V-立式Vertical, S-侧卧式Lateral horizontal, F-吊装式Lifting type;

(10) 【安装位置Mounting Position】

A-阀块 on center manifold, B-支架on the bracket,

C-电机 on motor, D-油箱底脚on the tank bottom;

(11) 【系统压力System Pressure】

A-1.6Mpa, B-2.5Mpa, C-6.3Mpa, D-10Mpa, E-16Mpa, F-20Mpa, G-25Mpa, H-31.5Mpa;

(12) 【油箱容积Tank Capacity】

A-1.0L, B-1.2L, C-1.7L, D-2.8L, E-3.7L, F-4.0L, G-5.0L, H-6.0L, I-7.0L, J-8.0L, K-10L, L-12L, M-14L, N-16L, O-20L, P-22L, Q-25L, R-30L, S-35L, T-40L, U-50L, V-60L, W-80L, X-100L, Y-120L

※注: ①塑料油箱请在参数后加(S)。 Note: Plastic tank add (S). ②圆形油箱请在参数后加(Y)。 Add “Y” if you need round tank

(13) 【油口尺寸Oil port】

A-G1/4” , B-RC1/4” , C-NPT1/4” , D-G3/8” , E-RC3/8” F-NPT3/8” , G-M14 × 1.5, H-M16 × 1.5, I-M18 × 1.5,

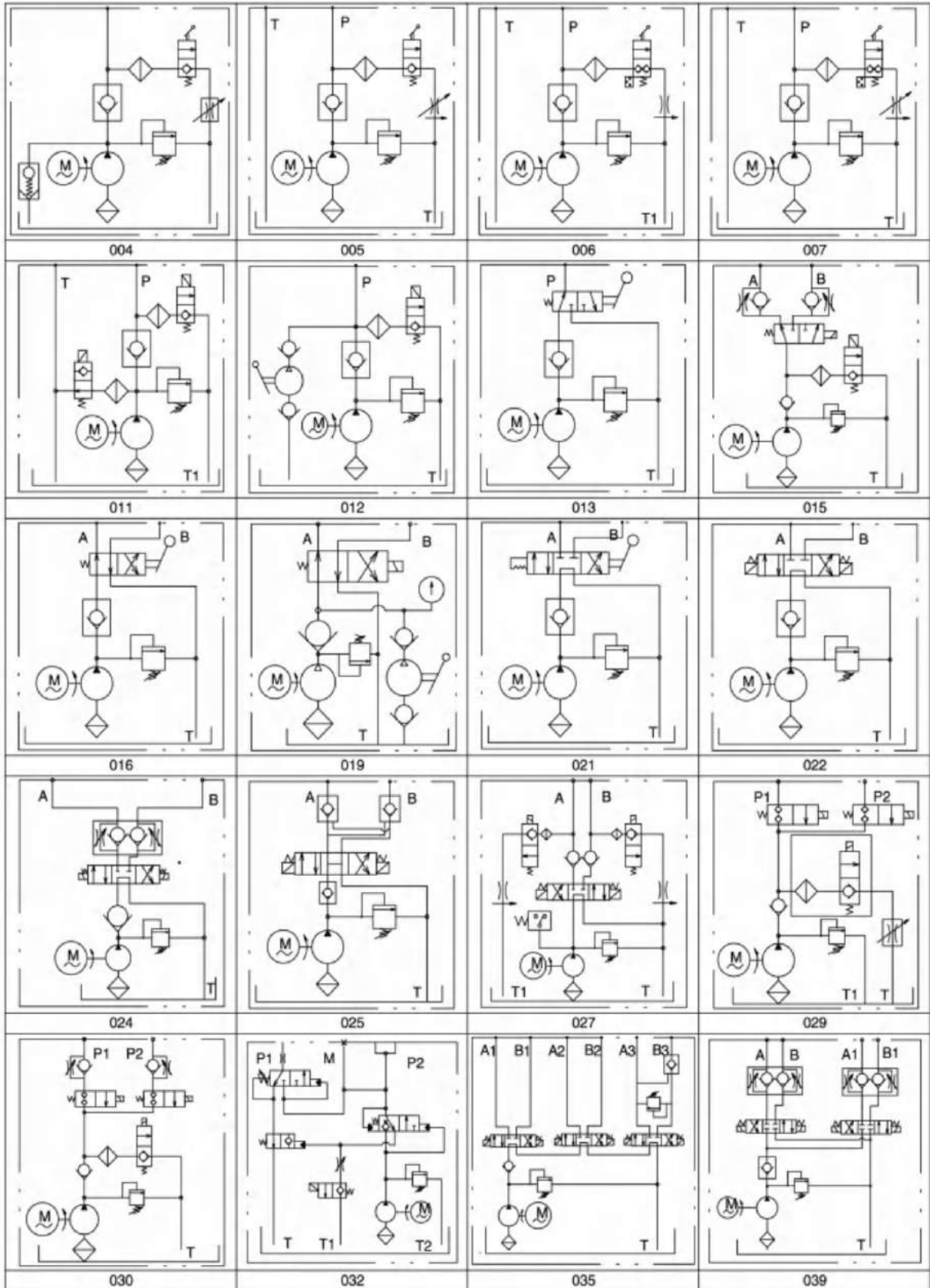
J-9/16” -18, K-3/4” -16, L-G1/8” , M-G1/2” , N-M22 × 1.5, O-M12 × 1.5

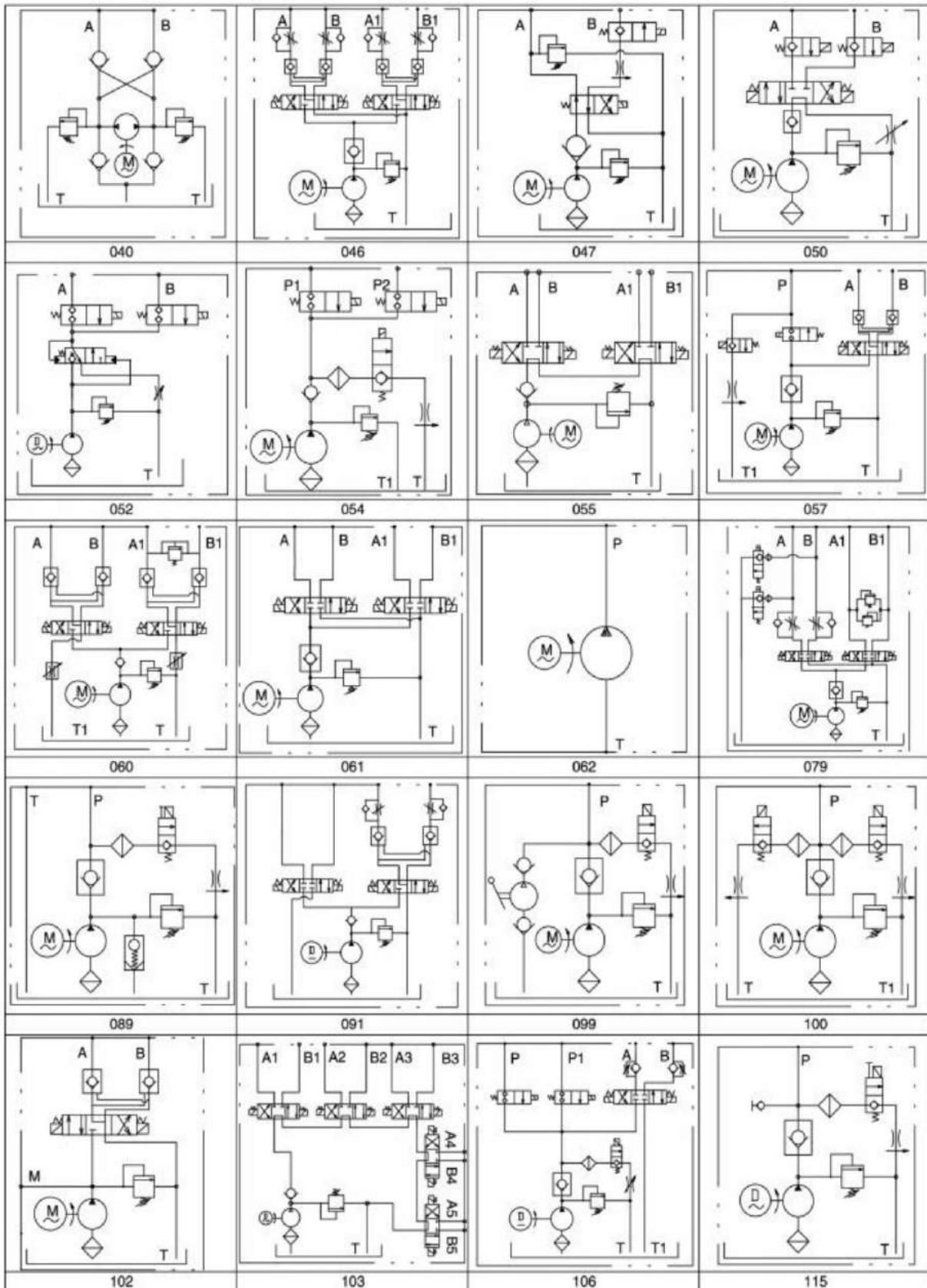
液压原理图

HYDRAULIC CIRCUIT OPTIONAL



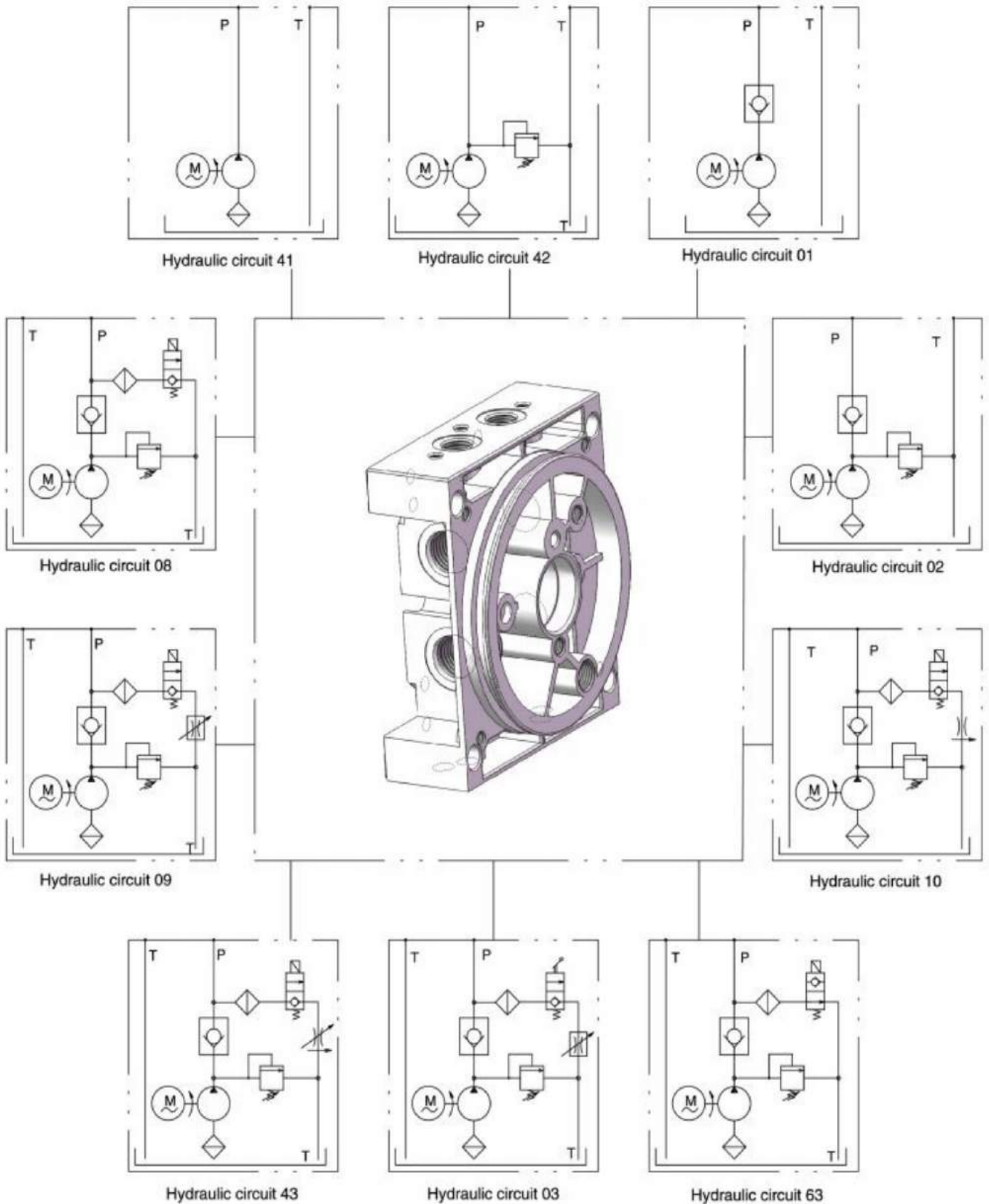
通过不同的液压阀组合，我公司目前已有上百种液压原理图供客户选择，典型的液压原理图见下图，我公司还可根据用户要求定制特殊的油路
 With different combination of the valves, we have more than two hundred hydraulic circuits used in the power units, The typical circuits are shown as follows. We are at your disposal to design and produce the customized circuits





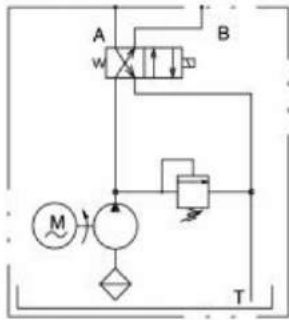
典型中间阀块(FKA)

GENERAL INTERMEDIATE MANIFOLD (FKA)

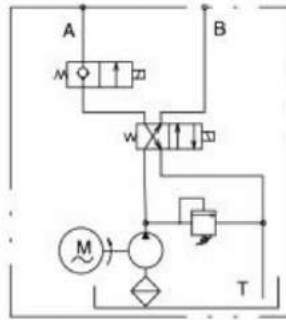


典型中间阀块(FKB)

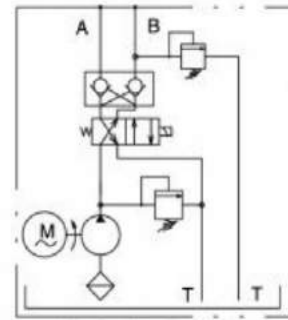
GENERAL INTERMEDIATE MANIFOLD (FKB)



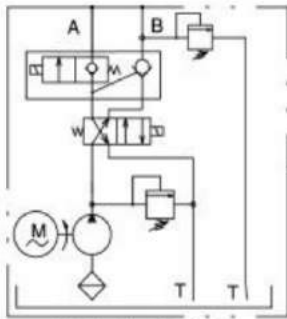
Hydraulic circuit 68



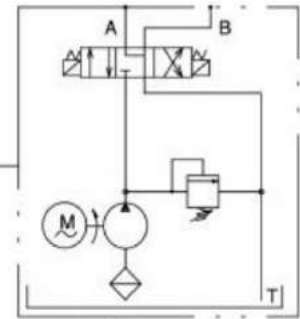
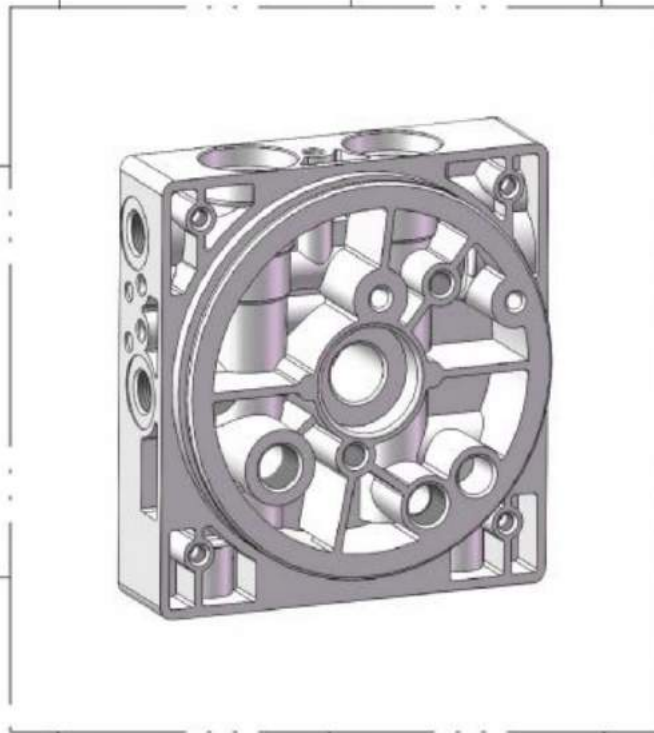
Hydraulic circuit 67



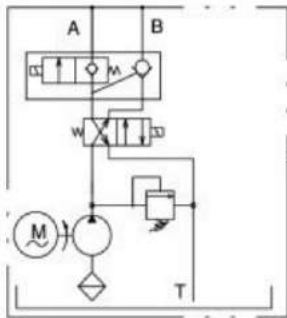
Hydraulic circuit 66



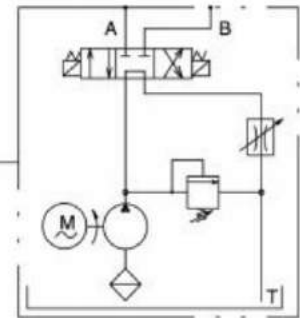
Hydraulic circuit 69



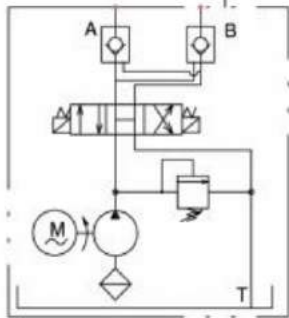
Hydraulic circuit 71



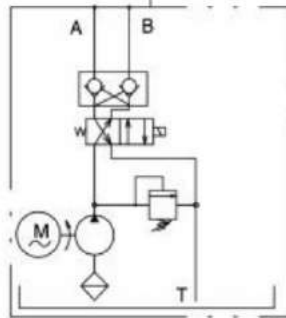
Hydraulic circuit 70



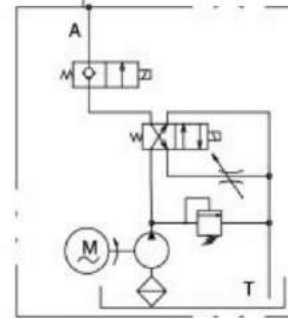
Hydraulic circuit 48



Hydraulic circuit 87



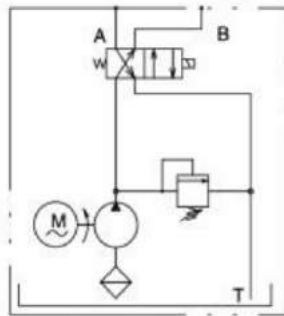
Hydraulic circuit 76



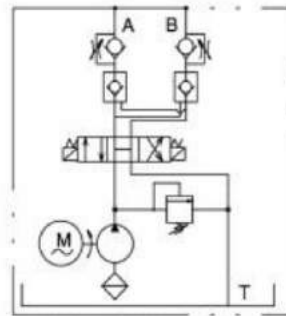
Hydraulic circuit 77

典型中间阀块(FKC)

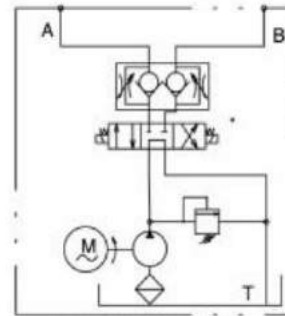
GENERAL INTERMEDIATE MANIFOLD (FKC)



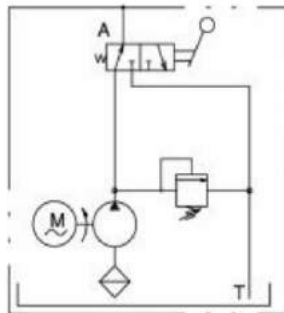
Hydraulic circuit 68



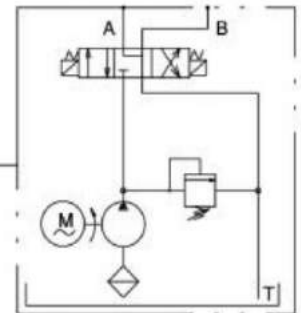
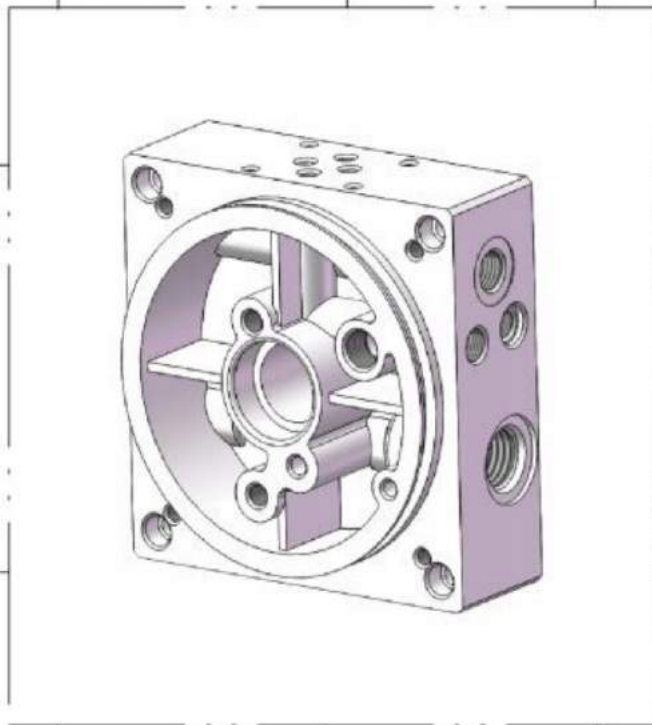
Hydraulic circuit 82



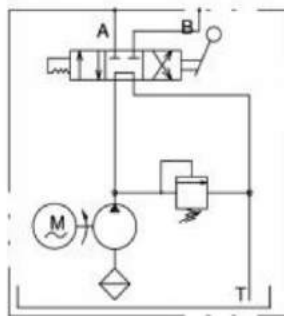
Hydraulic circuit 49



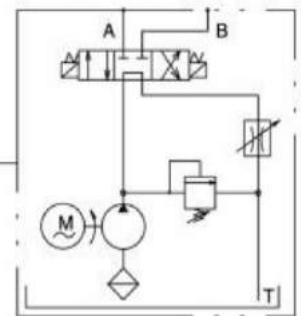
Hydraulic circuit 83



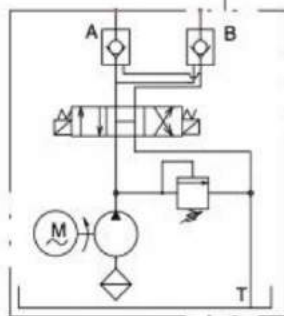
Hydraulic circuit 71



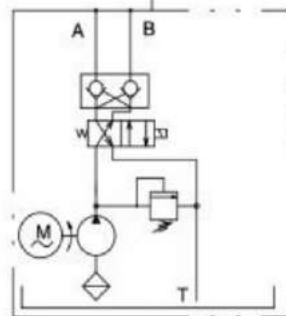
Hydraulic circuit 84



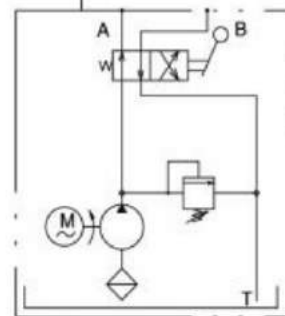
Hydraulic circuit 48



Hydraulic circuit 87



Hydraulic circuit 76



Hydraulic circuit 85

托盘车动力单元 1

PALLET TRUCK POWER UNIT 1



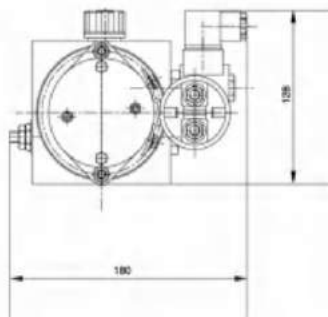
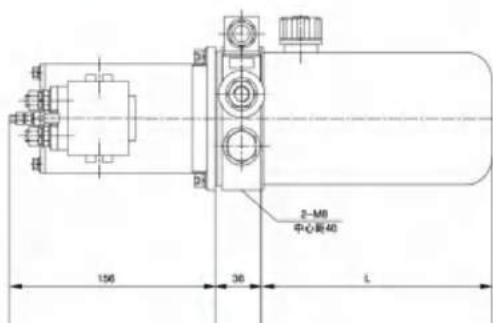
简介 General Description

此液压微型动力单元由高压齿轮泵、直流电机、多用集成块、液压阀、油箱等零部件有机结合为一体。通常用作轻型堆高车、托盘车的动力源。电磁卸荷阀卸荷实现回油，下降速度由压力补偿型流量控制阀控制。

This mini hydraulic power unit is made up of DC motor, high pressure gear pump, hydraulic valve, tank and other components. It is usually used for the small stackers and pallet trucks. Oil returns to the tank when electromagnetic unloading valve unloads, and the down speed is controlled by pressure compensating flow control valve.

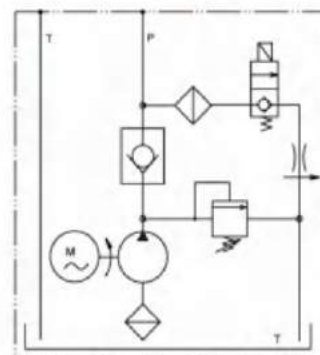


外形尺寸图 Outline Dimension



液压原理图010

Hydraulic circuit optional 010



型号规格说明 Model Specifications

Type 型号	Motor 电机	Pump Displacement 泵排量 (cc/r)	Tank Capacity 油箱容积 (L)	Pressure 压力 (MPa)	Mounting 安装方式	Oil Port 油口尺寸	L(mm)
HPU1-10ABBCAHEA(Y)A	DC12V 0.8Kw 3500rpm	0.5	1.0	16	Horizontal 卧式	G1/4" (可定制 OR CUSTOMIZE)	170
HPU1-10ABBEAHEA(Y)A	DC12V 0.8Kw 3500rpm	0.75	1.2				200
HPU1-10BBBCBHEA(Y)A	DC24V 0.8Kw 3500rpm	0.5	1.0				170
HPU1-10BBBEAHEA(Y)A	DC24V 0.8Kw 3500rpm	0.75	1.2				200

注意事项 Special Notes

- 1、如需不同流量的泵、压力、电机功率等系统参数，请查看液压动力单元型号说明。
- 2、此电机为间隙式工作制 S2=2~4MIN(一次启动持续工作时间)，不可以连续运转。
- 3、安装前必须保证油缸、油管、接头等液压元件清洁无任何杂质粘附。
- 4、液压油粘度应为 15-68CST，应清洁无杂质，推荐使用 HM46 号液压油。
- 5、如需手动应急放油装置，请在订货时说明。
- 6、首次启动运行系统后，应立即检查油箱中的油量是否充足。
- 7、系统使用第一个 100 小时后，应更换液压油，以后每 3000 小时更换一次液压油。

- 1、For different flow rate pump, pressure and motor power, please check the ordering guidance.
- 2、This motor is based on gap working system S2=2 ~ 4min(continuous working time), so it cannot run continuously.
- 3、Before installation, the cylinder, oil pipe, joint and other hydraulic components must be cleaned and free from any impurities.
- 4、The viscosity of hydraulic oil should be 15-68cst and should be clean and free of impurities. HM46 hydraulic oil is recommended.
- 5、If you need manual oil discharge device for emergency, please specify when ordering.
- 6、Check that whether there is enough oil in the oil tank immediately after the first operating of the system.
- 7、The hydraulic oil should be replaced after the first 100 hours' use of the system, and change the oil every 3,000 hours after that.

托盘车动力单元 2

PALLET TRUCK POWER UNIT 2



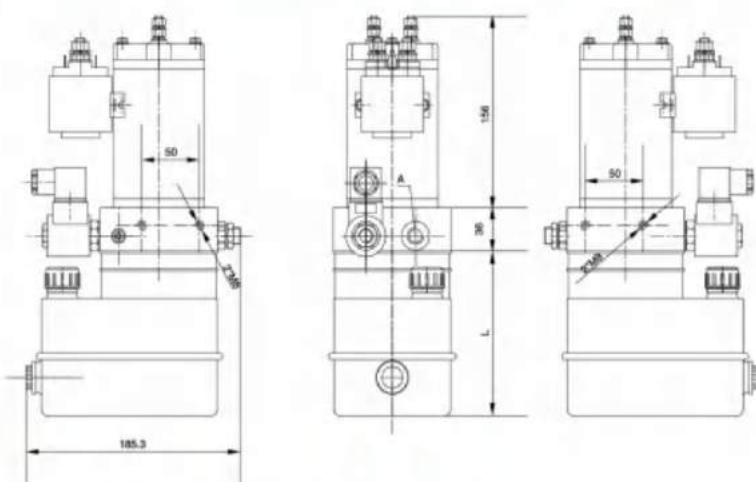
简介 General Description

此液压微型动力单元由高压齿轮泵、直流电机、多用集成块、液压阀、油箱等零部件有机结合为一体。通常用作轻型堆高车、托盘车的动力源。电磁卸荷阀卸荷实现回油，下降速度由压力补偿型流量控制阀控制。

This mini hydraulic power unit is made up of DC motor, high pressure gear pump, hydraulic valve, tank and other components. It is usually used for the small stackers and pallet trucks. Oil returns to the tank when electromagnetic unloading valve unloads, and the down speed is controlled by pressure compensating flow control valve.

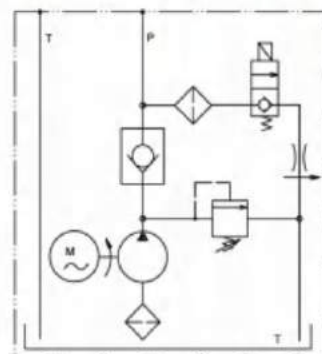


外形尺寸图 Outline Dimension



液压原理图010

Hydraulic circuit optional 010



型号规格说明 Model Specifications

Type 型号	Motor 电机	Pump Displacement 泵排量 (cc/r)	Tank Capacity 油箱容积 (L)	Pressure 压力 (MPa)	Mounting 安装方式	Oil Port 油口尺寸	L(mm)
HPU1-10ABBCAVALAEB(S)A	DC12V 0.8Kw 3500rpm	0.5	1.2	16	Vertical 立式	G1/4" (可定制 OR CUSTOMIZE)	138
HPU1-10ABBEAVALAEB(S)A	DC12V 0.8Kw 3500rpm	0.75					
HPU1-10BBBCBVALAEB(S)A	DC24V 0.8Kw 3500rpm	0.5					
HPU1-10BBBEAVALAEB(S)A	DC24V 0.8Kw 3500rpm	0.75					

注意事项 Special Notes

- 1、如需不同流量的泵、压力、电机功率等系统参数，请查看液压动力单元型号说明。
- 2、此电机为间隙式工作制 S2=2~4MIN(一次启动持续工作时间)，不可以连续运转。
- 3、安装前必须保证油缸、油管、接头等液压元件清洁无任何杂质粘附。
- 4、液压油粘度应为 15-68CST，应清洁无杂质，推荐使用 HM46 号液压油。
- 5、如需手动应急放油装置，请在订货时说明。
- 6、首次启动运行系统后，应立即检查油箱中的油量是否充足。
- 7、系统使用第一个 100 小时后，应更换液压油，以后每 3000 小时更换一次液压油。

- 1、For different flow rate pump, pressure and motor power, please check the ordering guidance.
- 2、This motor is based on gap working system S2=2 ~ 4min(continuous working time), so it cannot run continuously.
- 3、Before installation, the cylinder, oil pipe, joint and other hydraulic components must be cleaned and free from any impurities.
- 4、The viscosity of hydraulic oil should be 15-68cst and should be clean and free of impurities. HM46 hydraulic oil is recommended.
- 5、If you need manual oil discharge device for emergency, please specify when ordering.
- 6、Check that whether there is enough oil in the oil tank immediately after the first operating of the system.
- 7、The hydraulic oil should be replaced after the first 100 hours' use of the system, and change the oil every 3,000 hours after that.

医疗用微型动力单元

MINI POWER UNIT FOR MEDICAL FACILITY



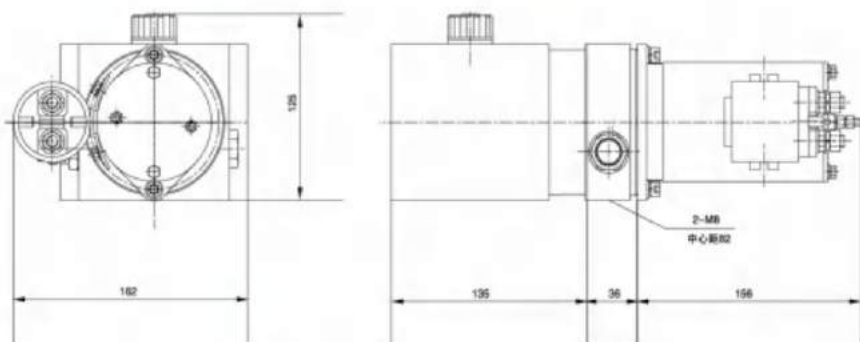
简介 General Description

此液动力单元专为医疗设备中电动手术床设计，噪音小，低电流，个体轻盈，为手术床提供液压力源。同时适用于电动病床。

This hydraulic power unit is specially designed for electric operating bed in medical equipment, with low noise, low current and light weight, it provides hydraulic power source for the operation bed, and it is also suitable for hospital bed.

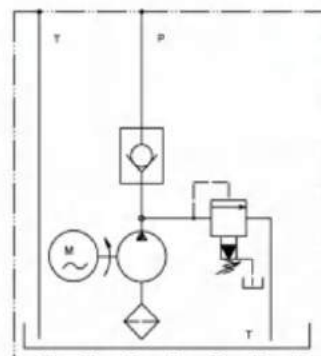


外形尺寸图 Outline Dimension



液压原理图002

Hydraulic circuit optional 002



型号规格说明 Model Specifications

Type 型号	Motor 电机	Pump Displacement 泵排量 (cc/r)	Tank Capacity 油箱容积 (L)	Pressure 压力 (MPa)	Mounting 安装方式	Oil Port 油口尺寸
HPU1-02BAABHHADAA	24V 0.5Kw 2000rpm	0.25	1.0	10	Horizontal 卧式	G1/4" (可定制 OR CUSTOMIZE)
HPU1-02BAACHHACAA		0.5		6.5		

注意事项 Special Notes

- 1、如需不同流量的泵、压力、电机功率等系统参数，请查看液动力单元型号说明。
- 2、此电机为间隙式工作制 S2 = 2-4MIN(一次启动持续工作时间)，不可以连续运转。
- 3、安装前必须保证油缸、油管、接头等液压元件清洁无任何杂质粘附。
- 4、液压油粘度应为 15-68CST，应清洁无杂质，推荐使用 HM46 号液压油。
- 5、首次启动运行系统后，应立即检查油箱中的油量是否充足。
- 6、系统使用第一个 100 小时后，应更换液压油，以后每 3000 小时更换一次液压油。

- 1、For different flow rate pump, pressure and motor power, please check the ordering guidance.
- 2、This motor is based on gap working system S2=2 ~ 4min(continuous working time), so it cannot run continuously.
- 3、Before installation, the cylinder, oil pipe, joint and other hydraulic components must be cleaned and free from any impurities.
- 4、The viscosity of hydraulic oil should be 15-68cst and should be clean and free of impurities. HM46 hydraulic oil is recommended.
- 5、Check that whether there is enough oil in the oil tank immediately after the first operating of the system.
- 6、The hydraulic oil should be replaced after the first 100 hours' use of the system, and change the oil every 3,000 hours after that.

半电动堆高车用动力单元 1

SEMI-ELECTRIC STACKER POWER UNIT 1

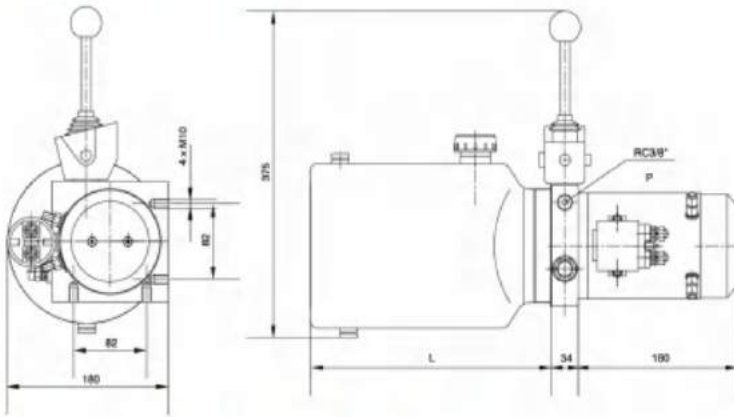
简介 General Description

此动力单元专为半电动堆高车所设计, 手动卸荷阀上带有微动开关, 堆高车的升和降由卸荷阀的手柄控制, 下降速度由内置压力补偿型节流阀自动控制。

This power unit is specially designed for semi-electric stacker, The manual unloading valve is equipped with manual micro switch, The lifting and falling of the stacker are controlled by the handle of the unloading valve, and the falling speed is automatically controlled by the built-in pressure compensating throttle valve.

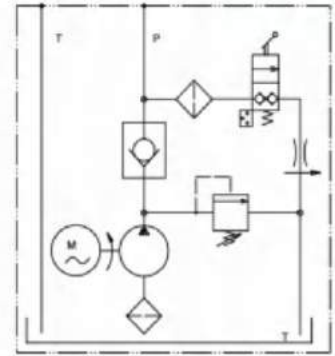


外形尺寸图 Outline Dimension



液压原理图006

Hydraulic circuit optional 006



型号规格说明 Model Specifications

Type 型号	Motor 电机	Pump Displacement 泵排量 (cc/r)	Tank Capacity 油箱容积 (L)	Pressure 压力 (MPa)	Mounting 安装方式	Oil Port 油口尺寸	L(mm)
HPU1-06ADAHGSAFG(Y)E	DC12V 1.6Kw 2500rpm	1.6	5	20	Lateral Horizontal 侧卧式	RC3/8* (可定制 Or Customize)	270
HPU1-06ADAHGSAFH(Y)E		1.6	6				300
HPU1-06BFAIGSAFH(Y)E	DC24V 2.2Kw 2700rpm	2.1	6				300
HPU1-06BFAKGSFAFJ(Y)E		2.6	8				370

注意事项 Special Notes

- 1、如需不同流量的泵、压力、电机功率等系统参数, 请查看液压动力单元型号说明。
- 2、此电机为间隙式工作制 S2=2~4MIN(一次启动持续工作时间), 不可以连续运转。
- 3、安装前必须保证油缸、油管、接头等液压元件清洁无任何杂质粘附。
- 4、液压油粘度应为 15~68CST, 应清洁无杂质, 推荐使用 HM46 号液压油。
- 5、本液压动力单元适用于侧卧式安装。
- 6、首次启动运行系统后, 应立即检查油箱中的油量是否充足。
- 7、系统使用第一个 100 小时后, 应更换液压油, 以后每 3000 小时更换一次液压油。

- 1、For different flow rate pump, pressure and motor power, please check the ordering guidance.
- 2、This motor is based on gap working system S2=2 ~ 4min(continuous working time), so it cannot run continuously.
- 3、Before installation, the cylinder, oil pipe, joint and other hydraulic components must be cleaned and free from any impurities.
- 4、The viscosity of hydraulic oil should be 15~68cst and should be clean and free of impurities. HM46 hydraulic oil is recommended.
- 5、This hydraulic power pack is suitable for horizontal installation.
- 6、Check that whether there is enough oil in the oil tank immediately after the first operating of the system.
- 7、The hydraulic oil should be replaced after the first 100 hours' use of the system, and change the oil every 3,000 hours after that.

半电动堆高车用动力单元 2

SEMI-ELECTRIC STACKER POWER UNIT 2



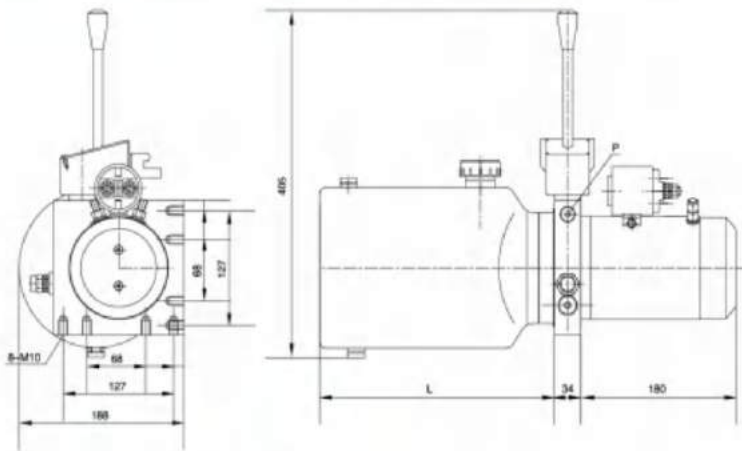
简介 General Description

此动力单元专为半电动堆高车所设计, 手动卸荷阀上带有微动开关, 堆高车的升和降由卸荷阀的手柄控制, 下降速度由内置压力补偿型节流阀自动控制。

This power unit is specially designed for semi-electric stacker, The manual unloading valve is equipped with manual micro switch, The lifting and falling of the stacker are controlled by the handle of the unloading valve, and the falling speed is automatically controlled by the built-in pressure compensating throttle valve.

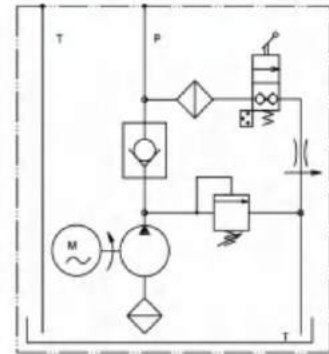


外形尺寸图 Outline Dimension



液压原理图006

Hydraulic circuit optional 006



型号规格说明 Model Specifications

Type 型号	Motor 电机	Pump Displacement 泵排量 (cc/r)	Tank Capacity 油箱容积 (L)	Pressure 压力 (MPa)	Mounting 安装方式	Oil Port 油口尺寸	L(mm)
HPU1-06ADAHGSAFG(Y)D	DC12V 1.6Kw 2500rpm	1.6	5	20	Lateral Horizontal 侧卧式	G3/8" (可定制 Or Customize)	270
HPU1-06ADAHGSAFH(Y)D		1.6	6				300
HPU1-06BFAIGSAFH(Y)D	DC24V 2.2Kw 2700rpm	2.1	6				300
HPU1-06BFAKGSASFJ(Y)D		2.6	8				370

注意事项 Special Notes

- 1、如需不同流量的泵、压力、电机功率等系统参数, 请查看液压力单元型号说明。
- 2、此电机为间隙式工作制 S2=2-4MIN(一次启动持续工作时间), 不可以连续运转。
- 3、安装前必须保证油缸、油管、接头等液压元件清洁无任何杂质粘附。
- 4、液压油粘度应为 15-68CST, 应清洁无杂质, 推荐使用 HM46 号液压油。
- 5、本液压力单元适用于侧卧式安装。
- 6、首次启动运行系统后, 应立即检查油箱中的油量是否充足。
- 7、系统使用第一个 100 小时后, 应更换液压油, 以后每 3000 小时更换一次液压油。

- 1、For different flow rate pump, pressure and motor power, please check the ordering guidance.
- 2、This motor is based on gap working system S2=2 ~ 4min(continuous working time), so it cannot run continuously.
- 3、Before installation, the cylinder, oil pipe, joint and other hydraulic components must be cleaned and free from any impurities.
- 4、The viscosity of hydraulic oil should be 15-68cst and should be clean and free of impurities. HM46 hydraulic oil is recommended.
- 5、This hydraulic power pack is suitable for horizontal installation.
- 6、Check that whether there is enough oil in the oil tank immediately after the first operating of the system.
- 7、The hydraulic oil should be replaced after the first 100 hours' use of the system, and change the oil every 3,000 hours after that.

全电动堆高车用动力单元 1

ELECTRIC STACKER POWER UNIT 1



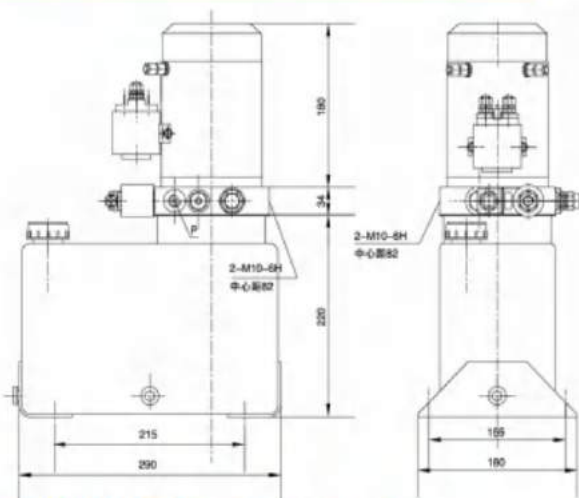
简介 General Description

此动力单元专为全电动堆高车车所设计，系典型动力上升、重力下降系统。下降速度由内置压力补偿型节流阀自动控制。

This power unit is specially designed for electric stacker, it is a typical power ascending and gravity descending system whose descending speed is automatically controlled by built-in pressure compensating throttle valve.

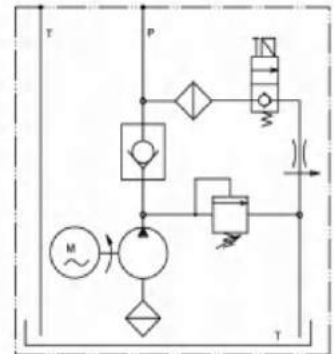


外形尺寸图 Outline Dimension



液压原理图010

Hydraulic circuit optional 010



型号规格说明 Model Specifications

Type 型号	Motor 电机	Pump Displacement 泵排量 (cc/r)	Tank Capacity 油箱容积 (L)	Pressure 压力 (MPa)	Mounting 安装方式	Oil Port 油口尺寸
HPU1-10BFAKBVDFID	DC12V 1.6Kw 2500rpm	1.6	7	20	Vertical 立式	G3/8" (可定制 Or Customize)
HPU1-10ADAHAVDFID	DC24V 2.2Kw 2700rpm	2.6				
HPU1-10BGAKBVDFID	DC24V 3Kw 2800rpm	2.6				
HPU1-10BGALBVDFID		3.2				

注意事项 Special Notes

- 1、如需不同流量的泵、压力、电机功率等系统参数，请查看液压动力单元型号说明。
- 2、此电机为间隙式工作制 S2=2~4MIN(一次启动持续工作时间)，不可以连续运转。
- 3、安装前必须保证油缸、油管、接头等液压元件清洁无任何杂质依附。
- 4、液压油粘度应为 15-68CST，应清洁无杂质，推荐使用 HM46 号液压油。
- 5、如需手动应急放油装置，请在订货时说明。
- 6、首次启动运行系统后，应立即检查油箱中的油量是否充足。
- 7、系统使用第一个 100 小时后，应更换液压油，以后每 3000 小时更换一次液压油。

- 1、For different flow rate pump, pressure and motor power, please check the ordering guidance.
- 2、This motor is based on gap working system S2=2 ~ 4min(continuous working time), so it cannot run continuously.
- 3、Before installation, the cylinder, oil pipe, joint and other hydraulic components must be cleaned and free from any impurities.
- 4、The viscosity of hydraulic oil should be 15-68cst and should be clean and free of impurities. HM46 hydraulic oil is recommended.
- 5、If you need manual oil discharge device for emergency, please specify when ordering.
- 6、Check that whether there is enough oil in the oil tank immediately after the first operating of the system.
- 7、The hydraulic oil should be replaced after the first 100 hours' use of the system, and change the oil every 3,000 hours after that.

全电动堆高车用动力单元 2

ELECTRIC STACKER POWER UNIT 2



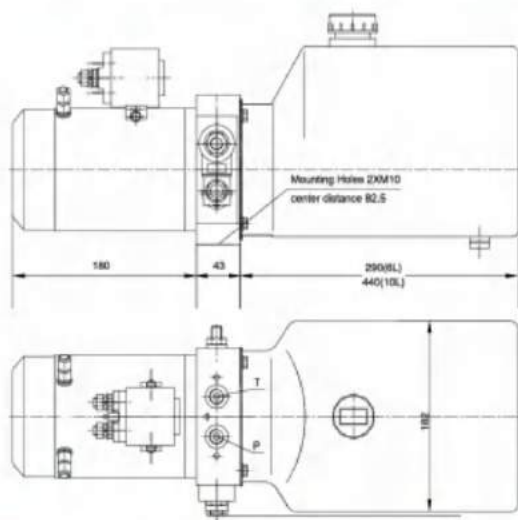
简介 General Description

此动力单元专为全电动堆高车所设计，系典型动力上升、重力下降系统。下降速度由内置压力补偿型节流阀自动控制。

This power unit is specially designed for electric stacker, it is a typical power ascending and gravity descending system, whose descending speed is automatically controlled by built-in pressure compensating throttle valve.

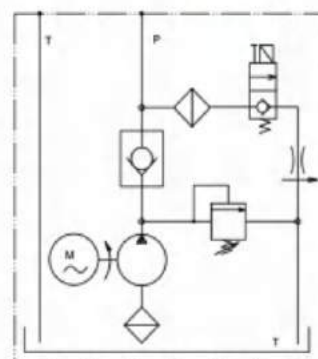


外形尺寸图 Outline Dimension



液压原理图010

Hydraulic circuit optional 010



型号规格说明 Model Specifications

Type 型号	Motor 电机	Pump Displacement 泵排量 (cc/r)	Tank Capacity 油箱容积 (L)	Pressure 压力 (MPa)	Mounting 安装方式	Oil Port 油口尺寸
HPU2-10ADAHAFH(Y)G	DC12V 1.6Kw 2500rpm	1.6	6	20	Horizontal 卧式	M14x1.5* (可定制 Or Customize)
HPU2-10BFAKBHAFH(Y)G	DC24V 2.2Kw 2700rpm	2.6				
HPU2-10BGALBHAEK(Y)G	DC24V 3.0Kw 2800rpm	3.2	10	16		

注意事项 Special Notes

- 1、如需不同流量的泵、压力、电机功率等系统参数，请查看液压动力单元型号说明。
- 2、此电机为间隙式工作制 S2=2~4MIN(一次启动持续工作时间)，不可以连续运转。
- 3、安装前必须保证油缸、油管、接头等液压元件清洁无任何杂质粘附。
- 4、液压油粘度应为 15-68CST，应清洁无杂质，推荐使用 HM46 号液压油。
- 5、如需手动应急放油装置，请在订货时说明。
- 6、首次启动运行系统后，应立即检查油箱中的油量是否充足。
- 7、系统使用第一个 100 小时后，应更换液压油，以后每 3000 小时更换一次液压油。

- 1、For different flow rate pump, pressure and motor power, please check the ordering guidance.
- 2、This motor is based on gap working system S2=2 ~ 4min(continuous working time), so it cannot run continuously.
- 3、Before installation, the cylinder, oil pipe, joint and other hydraulic components must be cleaned and free from any impurities.
- 4、The viscosity of hydraulic oil should be 15-68cst and should be clean and free of impurities. HM46 hydraulic oil is recommended.
- 5、If you need manual oil discharge device for emergency, please specify when ordering.
- 6、Check that whether there is enough oil in the oil tank immediately after the first operating of the system.
- 7、The hydraulic oil should be replaced after the first 100 hours' use of the system, and change the oil every 3,000 hours after that.

小型电动叉车动力单元

SMALL ELECTRIC FORKLIFT POWER UNIT



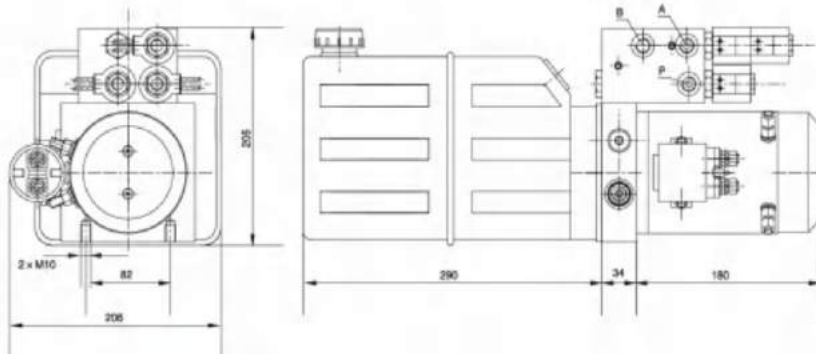
简介 General Description

此动力单元专为小型电动叉车所设计，使用电器控制开关，就可实现叉车货叉的前倾、后伸和上升、下降功能。

This power unit is specially designed for the small electric forklift truck, By using the electric control switch, the forklift can forward, backward, rise and fall.

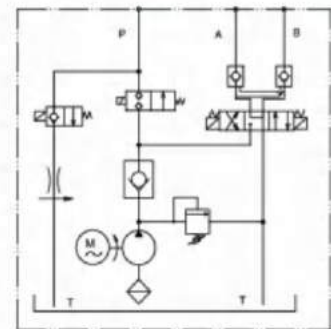


外形尺寸图 Outline Dimension



液压原理图057

Hydraulic circuit optional 057



型号规格说明 Model Specifications

Type 型号	Motor 电机	Pump Displacement 泵排量 (cc/r)	Tank Capacity 油箱容积 (L)	Pressure 压力 (MPa)	Mounting 安装方式	Oil Port 油口尺寸
HPU1-57AEAHAFG(S)G	DC12V 2.0Kw 2500rpm	1.6	5	20	Horizontal 卧式	M14x1.5" (可定制 Or Customize)
HPU1-57BFAIBHAFG(S)G	DC24V 2.2Kw 2700rpm	2.1				

注意事项 Special Notes

- 1、如需不同流量的泵、压力、电机功率等系统参数，请查看液压动力单元型号说明。
- 2、此电机为间隙式工作制 S2=2-4MIN(一次启动持续工作时间)，不可以连续运转。
- 3、安装前必须保证油缸、油管、接头等液压元件清洁无任何杂质粘附。
- 4、液压油粘度应为 15-68CST，应清洁无杂质，推荐使用 HM46 号液压油。
- 5、如需手动应急放油装置，请在订货时说明。
- 6、首次启动运行系统后，应立即检查油箱中的油量是否充足。
- 7、系统使用第一个 100 小时后，应更换液压油，以后每 3000 小时更换一次液压油。

- 1、For different flow rate pump, pressure and motor power, please check the ordering guidance.
- 2、This motor is based on gap working system S2=2-4min(continuous working time), so it cannot run continuously.
- 3、Before installation, the cylinder, oil pipe, joint and other hydraulic components must be cleaned and free from any impurities.
- 4、The viscosity of hydraulic oil should be 15-68cst and should be clean and free of impurities. HM46 hydraulic oil is recommended.
- 5、If you need manual oil discharge device for emergency, please specify when ordering.
- 6、Check that whether there is enough oil in the oil tank immediately after the first operating of the system.
- 7、The hydraulic oil should be replaced after the first 100 hours' use of the system, and change the oil every 3,000 hours after that.

高空作业平台用动力单元 1

POWER UNIT FOR AERIAL WORKING PLATFORM 1



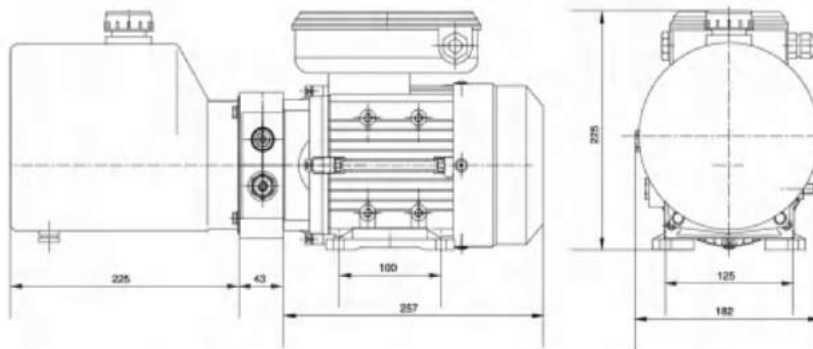
简介 General Description

此动力单元专为高空作业平台所设计，为其提供升降功能，定量压力补偿型节流阀，保持下降平稳。

This power unit is specially designed for aerial working platform, providing it with lifting and descending function, the quantitative pressure compensating throttle valve can make the platform descend steady.

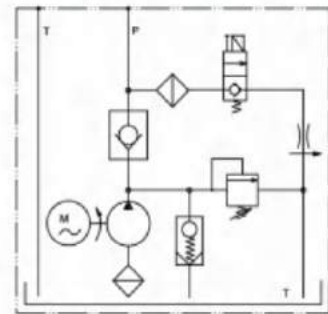


外形尺寸图 Outline Dimension



液压原理图089

Hydraulic circuit optional 089



型号规格说明 Model Specifications

Type 型号	Motor 电机	Pump Displacement 泵排量 (cc/r)	Tank Capacity 油箱容积 (L)	Pressure 压力 (MPa)	Mounting 安装方式	Oil Port 油口尺寸
HPU2-89GKDHEHCFF(Y)A	AC220V 0.75Kw 1440rpm 50Hz	1.6	4	18	Horizontal 卧式	G1/4"

注意事项 Special Notes

- 1、如需不同流量的泵、压力、电机功率等系统参数，请查看液压动力单元型号说明。
- 2、如需手动应急装置，请在订货时说明。
- 3、此动力单元不可连续运转（1分钟 ON, 9分钟 OFF），可重复工作。
- 4、安装前必须保证油缸、油管、接头等液压元件清洁无任何杂质粘附。
- 5、液压油粘度应为 15-68CST，应清洁无杂质，推荐使用 HM46 号液压油。
- 6、本液压动力单元适用于卧式安装。
- 7、首次启动运行系统后，应立即检查油箱中的油量是否充足。
- 8、系统使用第一个 100 小时后，应更换液压油，以后每 3000 小时更换一次液压油。

- 1、For different flow rate pump, pressure and motor power, please check the ordering guidance.
- 2、If you need manual oil discharge device for emergency, please specify when ordering.
- 3、This power unit can not run continuously (1 min ON, 9 min OFF), it can work repeatedly.
- 4、Before installation, ensure that the hydraulic components such as the oil cylinder, oil pipe and joints are clean and free from any impurities.
- 5、The viscosity of hydraulic oil should be 15-68cst and should be clean and free of impurities. HM46 hydraulic oil is recommended.
- 6、This hydraulic power unit is suitable for horizontal installation.
- 7、Check that whether there is enough oil in the oil tank immediately after the first operating of the system.
- 8、The hydraulic oil should be replaced after the first 100 hours' use of the system, and change the oil every 3,000 hours after that.

高空作业平台用动力单元 2

POWER UNIT FOR AERIAL WORKING PLATFORM 2



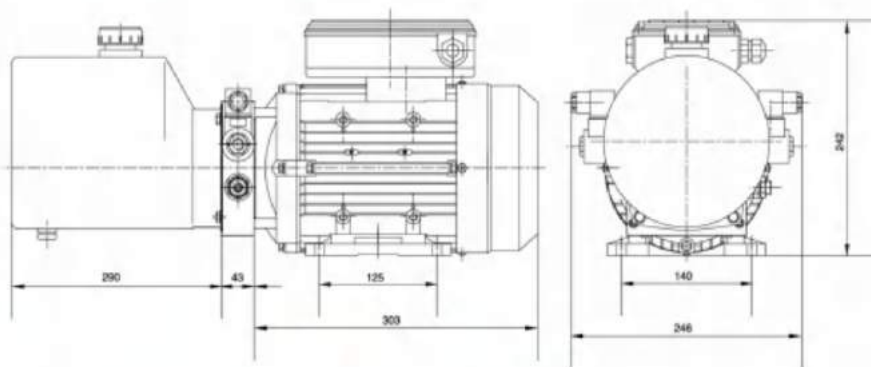
简介 General Description

此动力单元专为高空作业平台所设计，为其提供升降功能，双电磁阀实现电机无负荷驱动。

This power unit is specially designed for aerial working platform, providing lifting function for it. The double solenoid valve can make the motor drive without load.

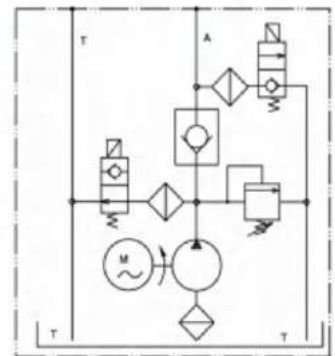


外形尺寸图 Outline Dimension



液压原理图011

Hydraulic circuit optional 011



型号规格说明 Model Specifications

Type 型号	Motor 电机	Pump Displacement 泵排量 (cc/r)	Tank Capacity 油箱容积 (L)	Pressure 压力 (MPa)	Mounting 安装方式	Oil Port 油口尺寸
HPU1-11GMEFEHCFH(Y)A	AC220V 1.5Kw 2850rpm 50Hz	1.1	6	18	Horizontal 卧式	G1/4"

注意事项 Special Notes

- 1、如需不同流量的泵、压力、电机功率等系统参数，请查看液压动力单元型号说明。
- 2、如需手动应急装置，请在订货时说明。
- 3、此动力单元不可连续运转（1分钟 ON, 9分钟 OFF），可重复工作。
- 4、安装前必须保证油缸、油管、接头等液压元件清洁无任何杂质粘附。
- 5、液压油粘度应为 15-68CST，应清洁无杂质，推荐使用 HM46 号液压油。
- 6、本液压动力单元适用于卧式安装。
- 7、首次启动运行系统后，应立即检查油箱中的油量是否充足。
- 8、系统使用第一个 100 小时后，应更换液压油，以后每 3000 小时更换一次液压油。

- 1、For different flow rate pump, pressure and motor power, please check the ordering guidance.
- 2、If you need manual oil discharge device for emergency, please specify when ordering.
- 3、This power unit can not run continuously (1 min ON, 9 min OFF), it can work repeatedly.
- 4、Before installation, ensure that the hydraulic components such as the oil cylinder, oil pipe and joints are clean and free from any impurities.
- 5、The viscosity of hydraulic oil should be 15-68cst and should be clean and free of impurities. HM46 hydraulic oil is recommended.
- 6、This hydraulic power unit is suitable for horizontal installation.
- 7、Check that whether there is enough oil in the oil tank immediately after the first operating of the system.
- 8、The hydraulic oil should be replaced after the first 100 hours' use of the system, and change the oil every 3,000 hours after that.

高空取料机用动力单元

POWER UNIT FOR HIGH-ALTITUDE PICK-UP



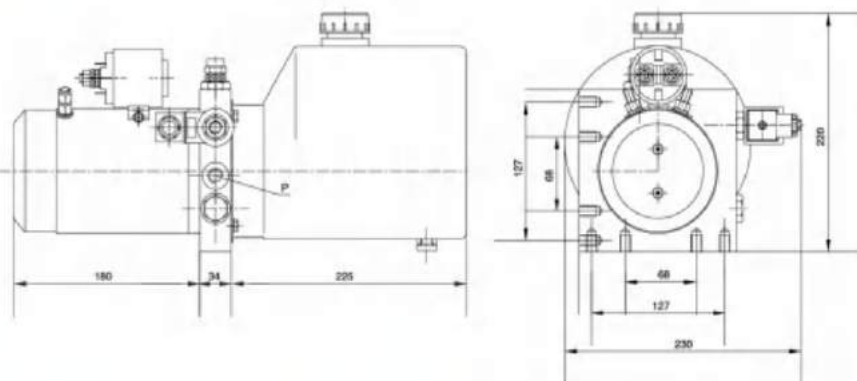
简介 General Description

此动力单元专为高空取料机所设计，为其提供升降功能，定量压力补偿型节流阀保持下降平稳，带有手动旋钮的电磁阀实现高空作业者断电状态下操作下降。

This power unit is specially designed for high-altitude pick-up, providing the lifting function, quantitative pressure compensating throttle valve to maintain steady descent, it can go down while operating the solenoid valve with manual knob when power is cut off.

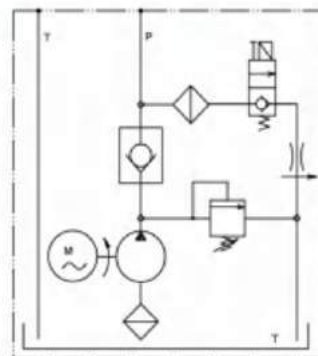


外形尺寸图 Outline Dimension



液压原理图010

Hydraulic circuit optional 010



型号规格说明 Model Specifications

Type 型号	Motor 电机	Pump Displacement 泵排量 (cc/r)	Tank Capacity 油箱容积 (L)	Pressure 压力 (MPa)	Mounting 安装方式	Oil Port 油口尺寸
HPU1-10ADAIA HAEF(Y)A	DC12V 1.6Kw 2500rpm	2.1	4	16	Horizontal 卧式	G1/4"

注意事项 Special Notes

- 1、如需不同流量的泵、压力、电机功率等系统参数，请查看液动力单元型号说明。
- 2、此电机为间隙式工作制 S2=2-4MIN(一次启动持续工作时间)，不可以连续运转。
- 3、安装前必须保证油缸、油管、接头等液压元件清洁无任何杂质粘附。
- 4、液压油粘度应为 15-68CST，应清洁无杂质，推荐使用 HM46 号液压油。
- 5、如需手动应急放油装置，请在订货时说明。
- 6、首次启动运行系统后，应立即检查油箱中的油量是否充足。
- 7、系统使用第一个 100 小时后，应更换液压油，以后每 3000 小时更换一次液压油。

- 1、For different flow rate pump, pressure and motor power, please check the ordering guidance.
- 2、This motor is based on gap working system S2=2 - 4min(continuous working time), so it cannot run continuously.
- 3、Before installation, the cylinder, oil pipe, joint and other hydraulic components must be cleaned and free from any impurities.
- 4、The viscosity of hydraulic oil should be 15-68cst and should be clean and free of impurities.HM46 hydraulic oil is recommended.
- 5、If you need manual oil discharge device for emergency , please specify when ordering.
- 6、Check that whether there is enough oil in the oil tank immediately after the first operating of the system.
- 7、The hydraulic oil should be replaced after the first 100 hours' use of the system, and change the oil every 3,000 hours after that.

篮球架液压动力单元

BASKETBALL RACK HYDRAULIC POWER UNIT



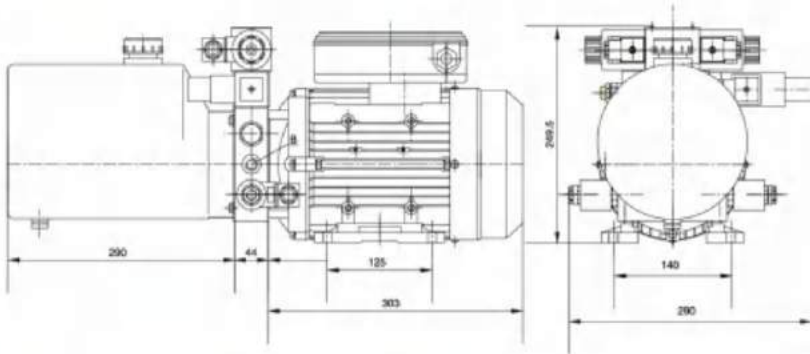
简介 General Description

此液压动力单元专为电动篮球架设计，由高压齿轮泵、电机、多用集成块、插装阀、叠加阀、油箱等零部件有机结合为一体。构成两条独立的液压上升、重力下降回路。用于篮板和篮球架走轮的升降运动，压力补偿节流阀的应用使得篮球架走轮的下降动作十分平稳。

The hydraulic power unit is designed for electric basketball rack, it is made up of high-pressure pump, motor, manifold block, plate valve, cartridge valve, tank and so on. There are two independent circuits for power up and gravity down for the lifting movements of rebounds and backboard, pressure compensation valve makes it descent very smoothly.

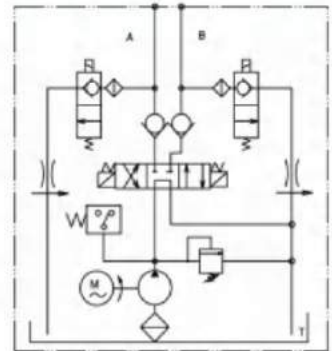


外形尺寸图 Outline Dimension



液压原理图027

Hydraulic circuit optional 027



型号规格说明 Model Specifications

Type 型号	Motor 电机	Pump Displacement 泵排量 (cc/r)	Tank Capacity 油箱容积 (L)	Pressure 压力 (MPa)	Mounting 安装方式	Oil Port 油口尺寸
HPU5-27GKDHEHCEH(Y)G	AC220V 0.75Kw 1440rpm 50Hz	1.6	6	16	Horizontal 卧式	M14x1.5" (可定制 Or Customize)
HPU5-27GMDKEHCFH(Y)G	AC220V 1.5Kw 1440rpm 50Hz	2.6		20		

注意事项 Special Notes

- 1、如需不同流量的泵、压力、电机功率等系统参数，请查看液压动力单元型号说明。
- 2、如需手动应急装置，请在订货时说明。
- 3、此动力单元不可连续运转（1分钟 ON, 9分钟 OFF），可重复工作。
- 4、安装前必须保证油缸、油管、接头等液压元件清洁无任何杂质粘附。
- 5、液压油粘度应为 15-68CST，应清洁无杂质，推荐使用 HM46 号液压油。
- 6、本液压动力单元适用于卧式安装。
- 7、首次启动运行系统后，应立即检查油箱中的油量是否充足。
- 8、系统使用第一个 100 小时后，应更换液压油，以后每 3000 小时更换一次液压油。

- 1 For different flow rate pump, pressure and motor power, please check the ordering guidance.
- 2 If you need manual oil discharge device for emergency, please specify when ordering.
- 3 This power unit can not run continuously (1 min ON, 9 min OFF), it can work repeatedly.
- 4 Before installation, ensure that the hydraulic components such as the oil cylinder, oil pipe and joints are clean and free from any impurities.
- 5 The viscosity of hydraulic oil should be 15-68cst and should be clean and free of impurities. HM46 hydraulic oil is recommended.
- 6 This hydraulic power unit is suitable for horizontal installation.
- 7 Check that whether there is enough oil in the oil tank immediately after the first operating of the system.
- 8 The hydraulic oil should be replaced after the first 100 hours' use of the system, and change the oil every 3,000 hours after that.

扒胎机用动力单元

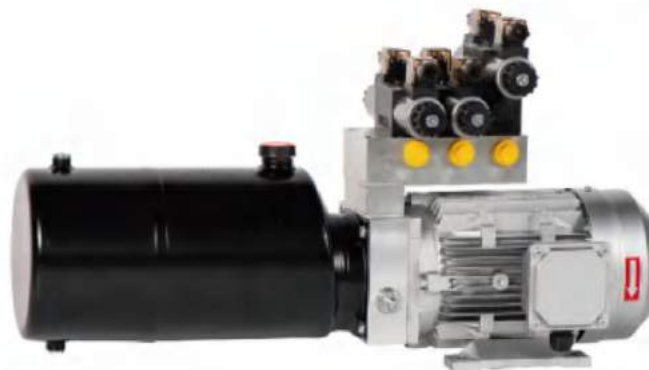
TYRE CHANGER POWER UNIT



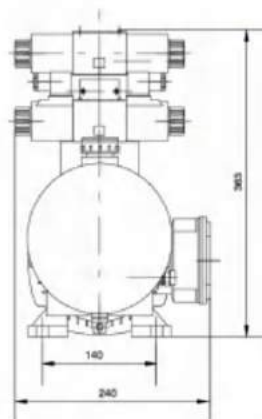
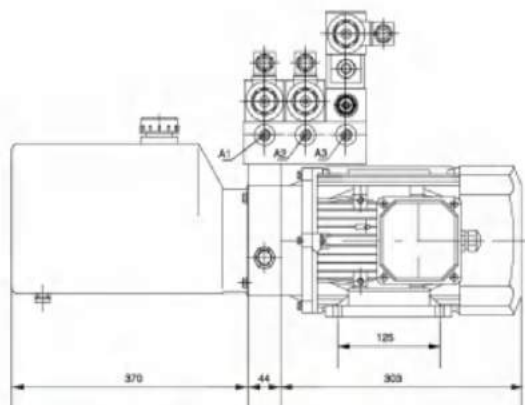
简介 General Description

此液压力单元专为扒胎机设计，控制多组双作用油缸单独工作。

This hydraulic power unit is specially designed for tyre changer, which controls several groups of double-acting cylinders to work independently.

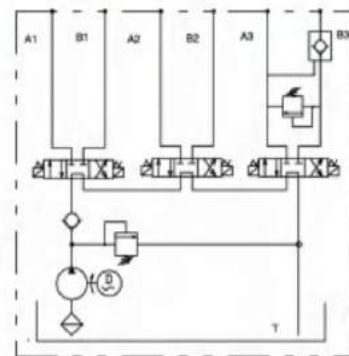


外形尺寸图 Outline Dimension



液压原理图035

Hydraulic circuit optional 035



型号规格说明 Model Specifications

Type 型号	Motor 电机	Pump Displacement 泵排量 (cc/r)	Tank Capacity 油箱容积 (L)	Pressure 压力 (MPa)	Mounting 安装方式	Oil Port 油口尺寸
HPU1-35HMDKBHCFJ(Y)A	AC380V 1.5Kw 1440rpm 50Hz	2.6	8	18	Horizontal 卧式	G1/4"
HPU1-35HODLBHCFJ(Y)A	AC380V 2.2Kw 1440rpm 50Hz	3.2		20		

注意事项 Special Notes

- 1、如需不同流量的泵、压力、电机功率等系统参数，请查看液压力单元型号说明。
- 2、如需手动应急装置，请在订货时说明。
- 3、此动力单元不可连续运转（1分钟 ON, 9分钟 OFF），可重复工作。
- 4、安装前必须保证油缸、油管、接头等液压元件清洁无任何杂质粘附。
- 5、液压油粘度应为 15-68CST，应清洁无杂质，推荐使用 HM46 号液压油。
- 6、本液压力单元适用于卧式安装。
- 7、首次启动运行系统后，应立即检查油箱中的油量是否充足。
- 8、系统使用第一个 100 小时后，应更换液压油，以后每 3000 小时更换一次液压油。

- 1、For different flow rate pump, pressure and motor power, please check the ordering guidance.
- 2、If you need manual oil discharge device for emergency, please specify when ordering.
- 3、This power unit can not run continuously (1 min ON, 9 min OFF), it can work repeatedly.
- 4、Before installation, ensure that the hydraulic components such as the oil cylinder, oil pipe and joints are clean and free from any impurities.
- 5、The viscosity of hydraulic oil should be 15-68cst and should be clean and free of impurities. HM46 hydraulic oil is recommended.
- 6、This hydraulic power unit is suitable for horizontal installation.
- 7、Check that whether there is enough oil in the oil tank immediately after the first operating of the system.
- 8、The hydraulic oil should be replaced after the first 100 hours' use of the system, and change the oil every 3,000 hours after that.

汽车尾板用动力单元 1

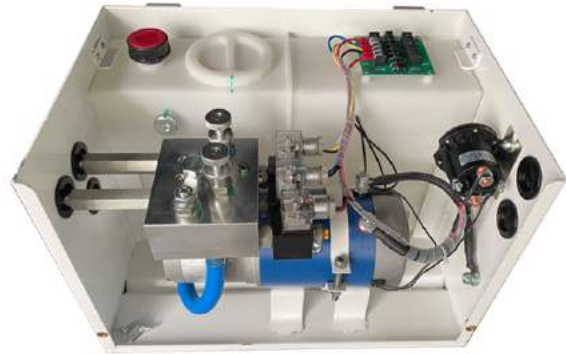
TAILGATE LIFT POWER UNIT 1



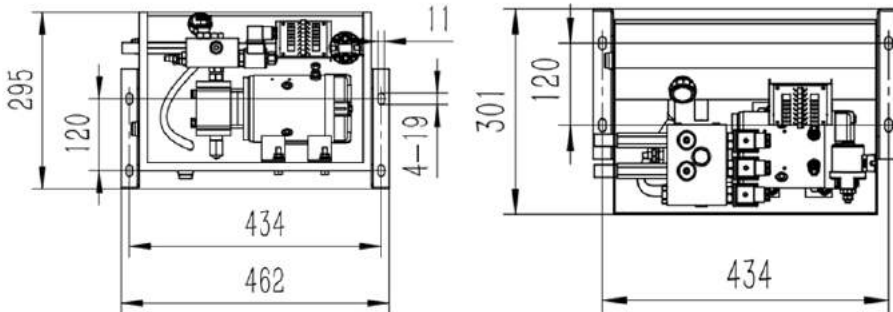
简介 General Description

此液压动力单元采用封闭式结构，用于卡车尾板的翻转和升降控制，展开和下降速度由单向节流阀控制。

The hydraulic power unit adopts a closed structure, which is used for the turning and lifting control of the tailgate of the truck. The expansion and descending speed are controlled by one-way throttle valve.

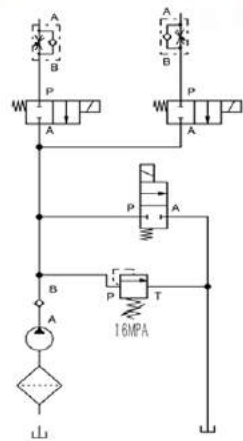


外形尺寸图 Outline Dimension



液压原理图030

Hydraulic circuit optional 030



型号规格说明 Model Specifications

Type 型号	Motor 电机	Pump Displacement 泵排量 (cc/r)	Tank Capacity 油箱容积 (L)	Pressure 压力 (MPa)	Mounting 安装方式	Oil Port 油口尺寸
HPU1-30AEHAHDFKG	DC12V 2.0Kw 2500rpm	1.7	9	20	Horizontal 卧式	M14x1.5 (可定制 Or Customize)
HPU1-30BFAKBHDFKG	DC24V 2.2Kw 2700rpm	2.5				

注意事项 Special Notes

- 1、如需不同流量的泵、压力、电机功率等系统参数，请查看液压动力单元型号说明。
- 2、此电机为间隙式工作制 S2=2-4MIN(一次启动持续工作时间)，不可以连续运转。
- 3、安装前必须保证油缸、油管、接头等液压元件清洁无任何杂质附着。
- 4、液压油粘度应为 15-68CST，应清洁无杂质，推荐使用 HM46 号液压油。
- 5、如需手动应急放油装置，请在订货时说明。
- 6、首次启动运行系统后，应立即检查油箱中的油量是否充足。
- 7、系统使用第一个 100 小时后，应更换液压油，以后每 3000 小时更换一次液压油。

- 1、For different flow rate pump, pressure and motor power, please check the ordering guidance.
- 2、This motor is based on gap working system S2=2 ~ 4min(continuous working time), so it cannot run continuously.
- 3、Before installation, the cylinder, oil pipe, joint and other hydraulic components must be cleaned and free from any impurities.
- 4、The viscosity of hydraulic oil should be 15-68cst and should be clean and free of impurities. HM46 hydraulic oil is recommended.
- 5、If you need manual oil discharge device for emergency, please specify when ordering.
- 6、Check that whether there is enough oil in the oil tank immediately after the first operating of the system.
- 7、The hydraulic oil should be replaced after the first 100 hours' use of the system, and change the oil every 3,000 hours after that.

汽车尾板用动力单元 2

TAILGATE LIFT POWER UNIT 2



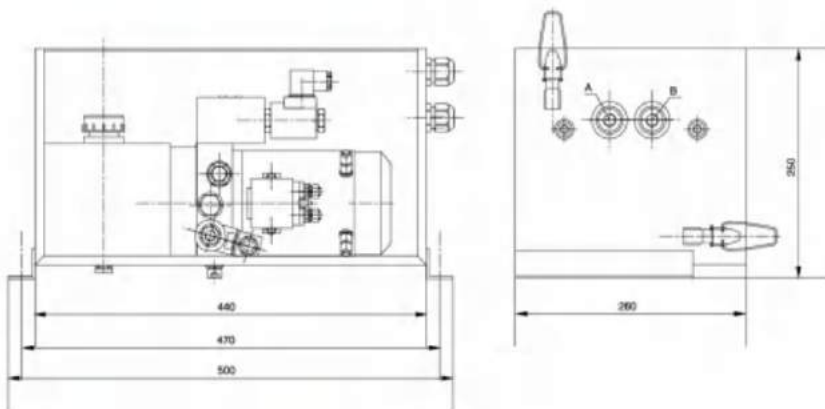
简介 General Description

此动力单元专为城市物流车尾板所设计，有 DC12V、DC24V、DC48V 等多种电压等级。尾板承载重量为 $\leq 0.7T$ ，电驱动上升、翻转，重力下降，有线控制及遥控均可。

This power unit is specially designed for the tailboard of urban logistics truck, including DC12V, DC24V, DC48V and other electric voltage classes. The tailboard's load weight $\leq 0.7T$, which can be used for lifting and turning with electric drive, descending by gravity. Wire control and remote control are both available.

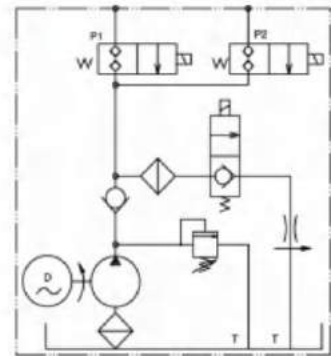


外形尺寸图 Outline Dimension



液压原理图054

Hydraulic circuit optional 054



型号规格说明 Model Specifications

Type 型号	Motor 电机	Pump Displacement 泵排量 (cc/r)	Tank Capacity 油箱容积 (L)	Pressure 压力 (MPa)	Mounting 安装方式	Oil Port 油口尺寸
HPU1-54ADAHADFFG	DC12V 1.6Kw 2500rpm	1.6	4	20	Horizontal 卧式	M14x1.5 (可定制 Or Customize)
HPU1-54BDABHDFFG	DC24V 1.6Kw 2700rpm	1.6				

注意事项 Special Notes

- 1、如需不同流量的泵、压力、电机功率等系统参数，请查看液压动力单元型号说明。
- 2、此电机为间隙式工作制 S2=2-4MIN(一次启动持续工作时间)，不可以连续运转。
- 3、安装前必须保证油缸、油管、接头等液压元件清洁无任何杂质粘附。
- 4、液压油粘度应为 15-68CST，应清洁无杂质，推荐使用 HM46 号液压油。
- 5、如需手动应急放油装置，请在订货时说明。
- 6、首次启动运行系统后，应立即检查油箱中的油量是否充足。
- 7、系统使用第一个 100 小时后，应更换液压油，以后每 3000 小时更换一次液压油。

- 1、For different flow rate pump, pressure and motor power, please check the ordering guidance.
- 2、This motor is based on gap working system S2=2 - 4min(continuous working time), so it cannot run continuously.
- 3、Before installation, the cylinder, oil pipe, joint and other hydraulic components must be cleaned and free from any impurities.
- 4、The viscosity of hydraulic oil should be 15-68cst and should be clean and free of impurities. HM46 hydraulic oil is recommended.
- 5、If you need manual oil discharge device for emergency, please specify when ordering.
- 6、Check that whether there is enough oil in the oil tank immediately after the first operating of the system.
- 7、The hydraulic oil should be replaced after the first 100 hours' use of the system, and change the oil every 3,000 hours after that.

汽车尾板用动力单元 3

TAILGATE LIFT POWER UNIT 3

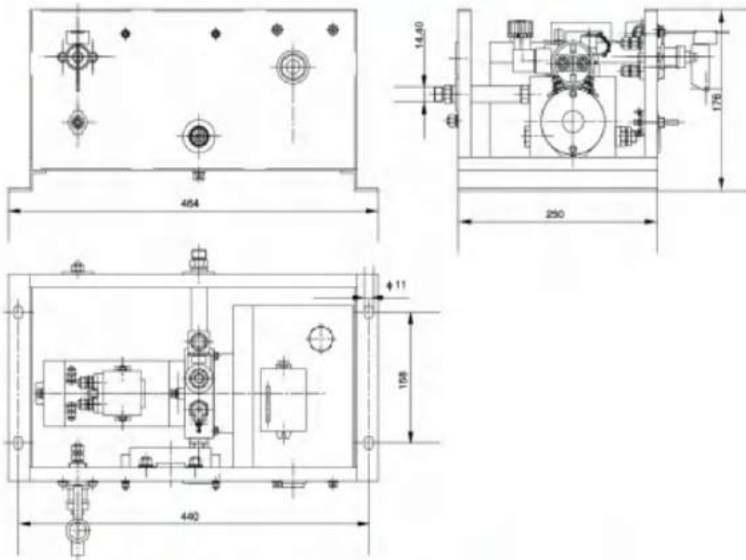
简介 General Description

此动力单元专为货车垂直尾板所设计，有 DC12V、DC24V、DC48V 等多种电压等级。电驱动上升，重力下降，下降速度由压力补偿型流量控制阀控制。

This power unit is specially designed for the vertical tailboard of freight van, with DC12V, DC24V, DC48V and other kinds of electric voltage levels. Electrically power rise, gravity fall, and fall speed is controlled by pressure compensating flow control valve.

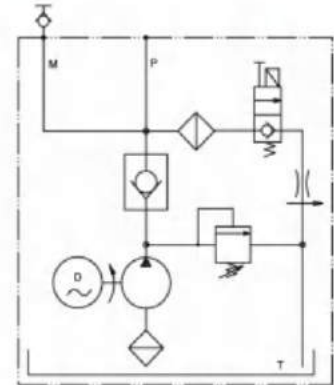


外形尺寸图 Outline Dimension



液压原理图115

Hydraulic circuit optional 115



型号规格说明 Model Specifications

Type 型号	Motor 电机	Pump Displacement 泵排量 (cc/r)	Tank Capacity 油箱容积 (L)	Pressure 压力 (MPa)	Mounting 安装方式	Oil Port 油口尺寸
HPU1-115ACBEAHDEFG	DC12V 1.2Kw 3200rpm	0.75	4	16	Horizontal 卧式	M14x1.5 (可定制 Or Customize)
HPU1-115BCBEBHDEFG	DC24V 1.2Kw 3200rpm					

注意事项 Special Notes

- 1、如需不同流量的泵、压力、电机功率等系统参数，请查看液压动力单元型号说明。
- 2、此电机为间隙式工作制 S2=2-4MIN(一次启动持续工作时间)，不可以连续运转。
- 3、安装前必须保证油缸、油管、接头等液压元件清洁无任何杂质粘附。
- 4、液压油粘度应为 15-68CST，应清洁无杂质，推荐使用 HM46 号液压油。
- 5、如需手动应急放油装置，请在订货时说明。
- 6、首次启动运行系统后，应立即检查油箱中的油量是否充足。
- 7、系统使用第一个 100 小时后，应更换液压油，以后每 3000 小时更换一次液压油。

- 1、For different flow rate pump, pressure and motor power, please check the ordering guidance.
- 2、This motor is based on gap working system S2=2 - 4min(continuous working time), so it cannot run continuously.
- 3、Before installation, the cylinder, oil pipe, joint and other hydraulic components must be cleaned and free from any impurities.
- 4、The viscosity of hydraulic oil should be 15-68cst and should be clean and free of impurities.HM46 hydraulic oil is recommended.
- 5、If you need manual oil discharge device for emergency , please specify when ordering.
- 6、Check that whether there is enough oil in the oil tank immediately after the first operating of the system.
- 7、The hydraulic oil should be replaced after the first 100 hours' use of the system, and change the oil every 3,000 hours after that.

自卸车加盖动力单元

POWER UNITS FOR DUMPING TRUCK COVERING



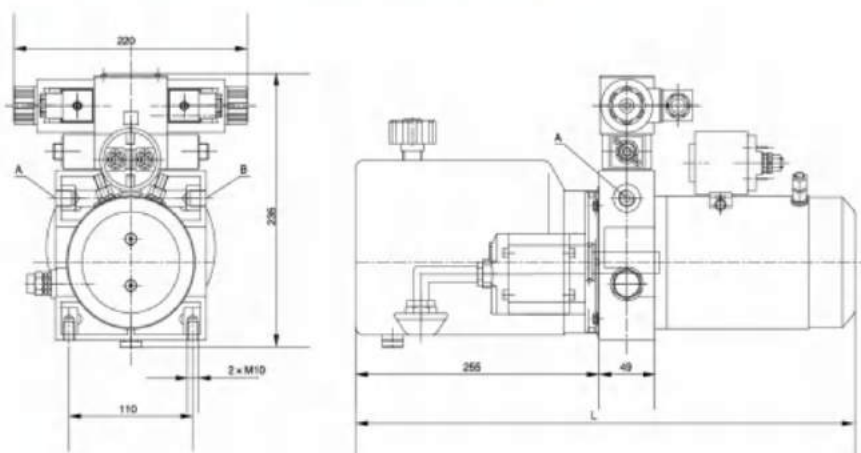
简介 General Description

此动力单元专为自卸车加盖改装而设计，由电磁换向阀的换向来实现密封盖的启闭。密封盖的启闭速度由节流阀进行调整。

Used to operate a double action cylinder of the dumping truck covering mechanism. The opening and closing actions of the covers are controlled by a solenoid directional valve, while the speed is adjusted by the throttle valve.

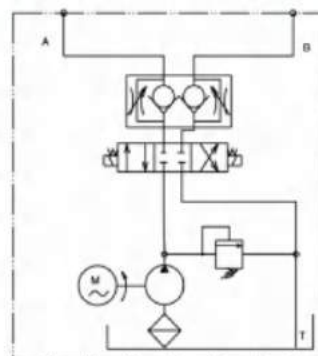


外形尺寸图 Outline Dimension



液压原理图049

Hydraulic circuit optional 049



型号规格说明 Model Specifications

Type 型号	Motor 电机	Pump Displacement 泵排量 (cc/r)	Tank Capacity 油箱容积 (L)	Pressure 压力 (MPa)	Mounting 安装方式	Oil Port 油口尺寸	L(mm)
HPU2-49AEAI AHAFE(Y)G	DC12V 2.0Kw 2500rpm	2.1	3.5	20	Horizontal 卧式	M14x1.5"	478
HPU2-49BFAI BHAFE(Y)G	DC24V 2.2Kw 2700rpm		4	20			553
HPU2-49BHBIAH CFF(Y)G	DC24V 4.0Kw 3100rpm						

注意事项 Special Notes

- 1、如需不同流量的泵、压力、电机功率等系统参数，请查看液动力单元型号说明。
- 2、此电机为间隙式工作制 S2=2-4MIN(一次启动持续工作时间)，不可以连续运转。
- 3、安装前必须保证油缸、油管、接头等液压元件清洁无任何杂质粘附。
- 4、液压油粘度应为 15-68CST，应清洁无杂质，推荐使用 HM46 号液压油。
- 5、如需手动应急放油装置，请在订货时说明。
- 6、首次启动运行系统后，应立即检查油箱中的油量是否充足。
- 7、系统使用第一个 100 小时后，应更换液压油，以后每 3000 小时更换一次液压油。

- 1、For different flow rate pump, pressure and motor power, please check the ordering guidance.
- 2、This motor is based on gap working system S2=2 ~ 4min(continuous working time), so it cannot run continuously.
- 3、Before installation, the cylinder, oil pipe, joint and other hydraulic components must be cleaned and free from any impurities.
- 4、The viscosity of hydraulic oil should be 15-68cst and should be clean and free of impurities.HM46 hydraulic oil is recommended.
- 5、If you need manual oil discharge device for emergency , please specify when ordering.
- 6、Check that whether there is enough oil in the oil tank immediately after the first operating of the system.
- 7、The hydraulic oil should be replaced after the first 100 hours' use of the system, and change the oil every 3,000 hours after that.

金相试样镶嵌机用动力单元

POWER UNITS FOR METALLOGRAPHIC INLAY MACHINE

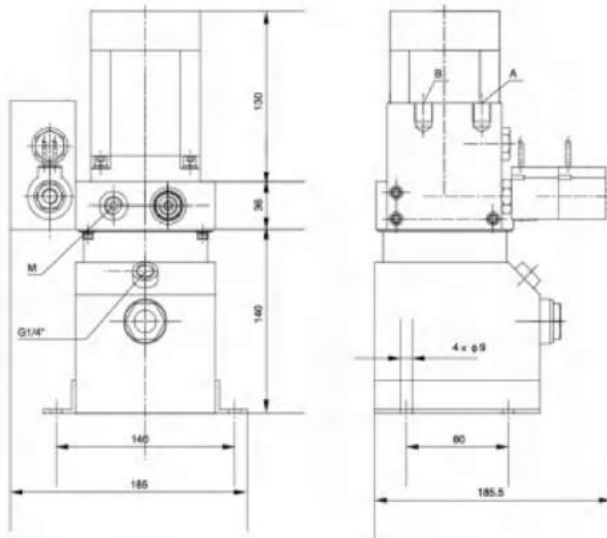


简介 General Description

此液压动力单元由高压齿轮泵、无刷直流电机、多用集成块、液压阀、油箱等零部件有机结合为一体。为金相试样镶嵌机提供动力。

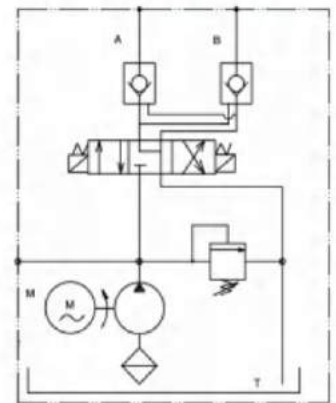
This hydraulic power unit is composed of high pressure gear pump, brushless DC motor, multi-purpose integrated block, hydraulic valve, tank and other parts. Providing power for the metallographic sample inlaying machine.

外形尺寸图 Outline Dimension



液压原理图102

Hydraulic circuit optional 102



型号规格说明 Model Specifications

Type 型号	Motor 电机	Pump Displacement 泵排量 (cc/r)	Tank Capacity 油箱容积 (L)	Pressure 压力 (MPa)	Mounting 安装方式	Oil Port 油口尺寸
HPU1-102BBBBBVFBA	DC24V 0.75Kw 3000rpm	0.25	1.2	20	Vertical 立式	G1/4"

注意事项 Special Notes

- 1、如需不同流量的泵、压力、电机功率等系统参数，请查看液压力单元型号说明。
- 2、此电机为直流无刷电机。
- 3、安装前必须保证油缸、油管、接头等液压元件清洁无任何杂质粘附。
- 4、液压油粘度应为 15-68CST，应清洁无杂质，推荐使用 HM46 号液压油。
- 5、首次启动运行系统后，应立即检查油箱中的油量是否充足。
- 6、系统使用第一个 100 小时后，应更换液压油，以后每 3000 小时更换一次液压油。

- 1、For different flow rate pump, pressure and motor power, please check the ordering guidance.
- 2、This is DC brushless motor.
- 3、Before installation, the cylinder, oil pipe, joint and other hydraulic components must be cleaned and free from any impurities.
- 4、The viscosity of hydraulic oil should be 15-68cst and should be clean and free of impurities. HM46 hydraulic oil is recommended.
- 5、Check that whether there is enough oil in the oil tank immediately after the first operating of the system.
- 6、The hydraulic oil should be replaced after the first 100 hours' use of the system, and change the oil every 3,000 hours after that.

汽车举升机用动力单元 1

POWER UNITS FOR CAR LIFT 1



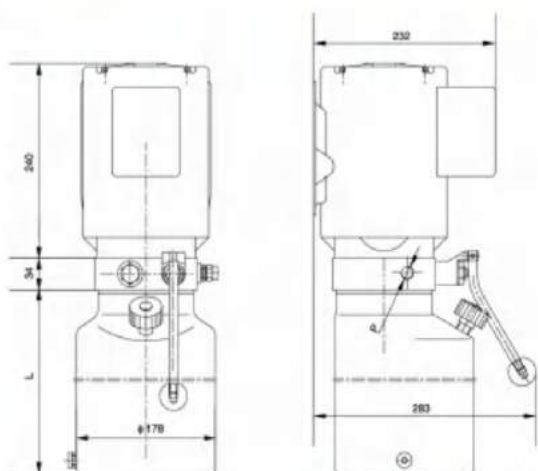
简介 General Description

此液压力单元由高压齿轮泵、交流电机、多用集成块、液压力阀、油箱等零部件有机结合为一体。为双柱汽车举升机提供升降功能，手动卸荷阀控制下降，下降速度可调节。

This hydraulic power unit is composed of high pressure gear pump, AC motor, multi-purpose integrated block, hydraulic valve, tank and other parts. It provides lifting function for two-post automobile lift. Manual unloading valve controls the descent and the descent speed can be adjusted.

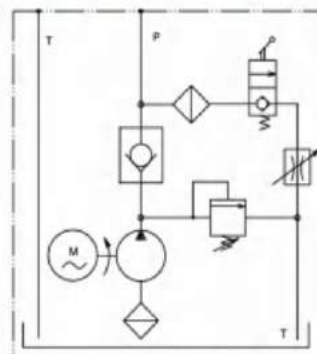


外形尺寸图 Outline Dimension



液压原理图003

Hydraulic circuit optional 003



型号规格说明 Model Specifications

Type 型号	Motor 电机	Pump Displacement 泵排量 (cc/r)	Tank Capacity 油箱容积 (L)	Pressure 压力 (MPa)	Mounting 安装方式	Oil Port 油口尺寸	L(mm)
HPU1-04GOEIFVCFK(Y)E	AC220V 2.2Kw 2850rpm 50Hz	2.1	10	18	Vertical 立式	RC3/8* (可定制 OR CUSTOMIZE)	440
HPU1-04GOEKVCEL(Y)E		2.6	12	16			545
HPU1-03HOEIFVCFK(Y)E	AC380V 2.2Kw 2850rpm 50Hz	2.1	10	18			440
HPU1-03HOEKVCEL(Y)E		2.6	12	16			545

注意事项 Special Notes

- 1、如需不同流量的泵、压力、电机功率等系统参数，请查看液压力单元型号说明。
- 2、此动力单元不可连续运转(1分钟 ON, 9分钟 OFF)，可重复工作。
- 3、安装前必须保证油缸、油管、接头等液压元件清洁无任何杂质粘附。
- 4、液压油粘度应为 15-68CST，应清洁无杂质，推荐使用 HM46 号液压油。
- 5、本液压力单元适用于立式安装。
- 6、首次启动运行系统后，应立即检查油箱中的油量是否充足。
- 7、系统使用第一个 100 小时后，应更换液压油，以后每 3000 小时更换一次液压油。

- 1、For different flow rate pump, pressure and motor power, please check the ordering guidance.
- 2、This power unit can not run continuously (1 min ON, 9 min OFF), it can work repeatedly.
- 3、Before installation, ensure that the hydraulic components such as the oil cylinder, oil pipe and joints are clean and free from any impurities.
- 4、The viscosity of hydraulic oil should be 15-68cst and should be clean and free of impurities. HM46 hydraulic oil is recommended.
- 5、This hydraulic power unit is suitable for vertical installation.
- 6、Check that whether there is enough oil in the oil tank immediately after the first operating of the system.
- 7、The hydraulic oil should be replaced after the first 100 hours' use of the system, and change the oil every 3,000 hours after that.

汽车举升机用动力单元 2

POWER UNITS FOR CAR LIFT 2



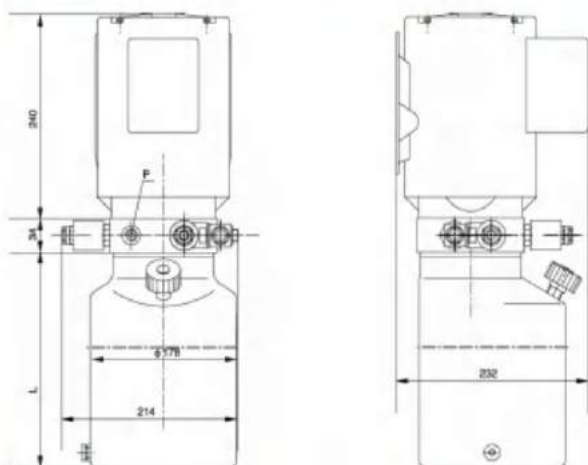
简介 General Description

本产品专为汽车举升机设计，系典型的动力上升，重力下降液压回路。启动电机实现上升，打开电磁卸荷阀实现下降，两个电磁阀使举升机具有不同的下降速度。

This power unit is designed exclusively for Auto hoist, with power up, gravity down function. Start the motor to lift the machine, the lowering movement is controlled by the solenoid release valves. Each solenoid valve provides a separate lowering speed.

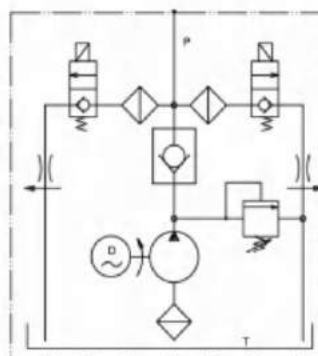


外形尺寸图 Outline Dimension



液压原理图100

Hydraulic circuit optional 100



型号规格说明 Model Specifications

Type 型号	Motor 电机	Pump Displacement 泵排量 (cc/r)	Tank Capacity 油箱容积 (L)	Pressure 压力 (MPa)	Mounting 安装方式	Oil Port 油口尺寸	L(mm)
HPU1-100GOEIBVCFK(Y)E	AC220V 2.2Kw 2850rpm 50Hz	2.1	10	18	Vertical 立式	G3/8" (可定制 OR CUSTOMIZE)	440
HPU1-100GOEKBVCEL(Y)E		2.6	12	16			545
HPU1-100HOEIBVCFK(Y)E	AC380V 2.2Kw 2850rpm 50Hz	2.1	10	20			440
HPU1-100HOEKBVCEL(Y)E		2.6	12	16			545

注意事项 Special Notes

- 1、如需不同流量的泵、压力、电机功率等系统参数，请查看液压动力单元型号说明。
- 2、如需手动应急装置，请在订货时说明。
- 3、此动力单元不可连续运转(1分钟 ON, 9分钟 OFF)，可重复工作。
- 4、安装前必须保证油缸、油管、接头等液压元件清洁无任何杂质粘附。
- 5、液压油粘度应为 15-68CST，应清洁无杂质，推荐使用 HM46 号液压油。
- 6、本液压动力单元适用于立式安装。
- 7、首次启动运行系统后，应立即检查油箱中的油量是否充足。
- 8、系统使用第一个 100 小时后，应更换液压油，以后每 3000 小时更换一次液压油。

- 1、For different flow rate pump, pressure and motor power, please check the ordering guidance.
- 2、If you need manual oil discharge device for emergency, please specify when ordering.
- 3、This power unit can not run continuously (1 min ON, 9 min OFF), it can work repeatedly.
- 4、Before installation, ensure that the hydraulic components such as the oil cylinder, oil pipe and joints are clean and free from any impurities.
- 5、The viscosity of hydraulic oil should be 15-68cst and should be clean and free of impurities. HM46 hydraulic oil is recommended.
- 6、This hydraulic power unit is suitable for vertical installation.
- 7、Check that whether there is enough oil in the oil tank immediately after the first operating of the system.
- 8、The hydraulic oil should be replaced after the first 100 hours' use of the system, and change the oil every 3,000 hours after that.

汽车举升机用动力单元 3

POWER UNITS FOR CAR LIFT 3

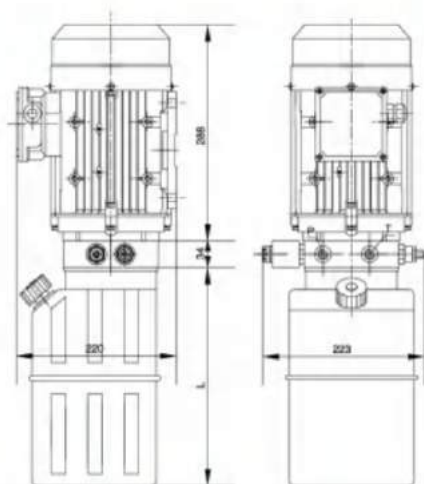


简介 General Description

本产品专为低噪音汽车举升机设计，系典型的动力上升，重力下降液压回路。下降动作由电磁阀控制，且下降速度由可调节的压力补偿节流阀控制。

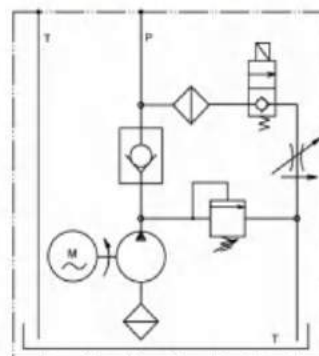
With a typical power up, gravity down circuit, this power unit is designed exclusively for those auto lifts requiring a low noise level. The lowering movement is controlled by the solenoid release valve, with the lowering speed regulated by the adjustable pressure compensated flow control valve.

外形尺寸图 Outline Dimension



液压原理图043

Hydraulic circuit optional 043



型号规格说明 Model Specifications

Type 型号	Motor 电机	Pump Displacement 泵排量 (cc/r)	Tank Capacity 油箱容积 (L)	Pressure 压力 (MPa)	Mounting 安装方式	Oil Port 油口尺寸	L(mm)
HPU1-43GODLBVCFJ(S)D	AC220V 2.2Kw 1450rpm 50Hz	3.2	8	22	Vertical 立式	G3/8" (可定制 OR CUSTOMIZE)	440
HPU1-43GODNBVCFK(S)D		4.2	10	18			530
HPU1-43HODLBVCGK(S)D	AC380V 2.Kw 1450rpm 50Hz	3.2	10	25			530
HPU1-43HODNBVCF(L)S)D		4.2	12	21			550

注意事项 Special Notes

- 1、如需不同流量的泵、压力、电机功率等系统参数，请查看液压动力单元型号说明。
- 2、如需手动应急装置，请在订货时说明。
- 3、此动力单元不可连续运转（1分钟 ON, 9分钟 OFF），可重复工作。
- 4、安装前必须保证油缸、油管、接头等液压元件清洁无任何杂质粘附。
- 5、液压油粘度应为 15-68CST，应清洁无杂质，推荐使用 HM46 号液压油。
- 6、本液压动力单元适用于立式安装。
- 7、首次启动运行系统后，应立即检查油箱中的油量是否充足。
- 8、系统使用第一个 100 小时后，应更换液压油，以后每 3000 小时更换一次液压油。

- 1、For different flow rate pump, pressure and motor power, please check the ordering guidance.
- 2、If you need manual oil discharge device for emergency, please specify when ordering.
- 3、This power unit can not run continuously (1 min ON, 9 min OFF), it can work repeatedly.
- 4、Before installation, ensure that the hydraulic components such as the oil cylinder, oil pipe and joints are clean and free from any impurities.
- 5、The viscosity of hydraulic oil should be 15-68cst and should be clean and free of impurities. HM46 hydraulic oil is recommended.
- 6、This hydraulic power unit is suitable for vertical installation.
- 7、Check that whether there is enough oil in the oil tank immediately after the first operating of the system.
- 8、The hydraulic oil should be replaced after the first 100 hours' use of the system, and change the oil every 3,000 hours after that.

大剪升降机用动力单元

POWER UNITS FOR DOUBLE-SCISSORS LIFT



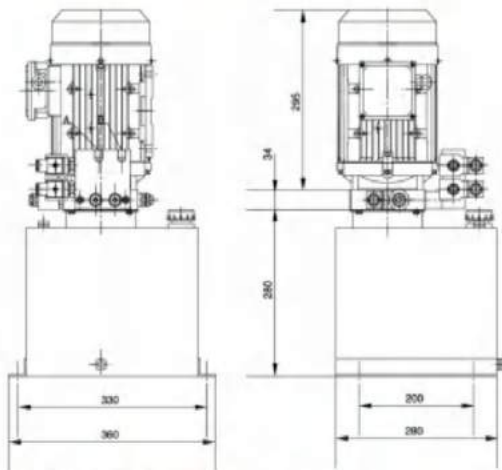
简介 General Description

此液压动力单元采用零泄漏双向止回阀实现两条油路的完全隔离,使得两条油路的上升和下降动作互不干扰,是多缸单独升降系统的理想液压源。该系列动力单元广泛应用于子母台式(大剪)升降机。

This hydraulic power unit adopts zero leakage two-way check valve to realize the complete isolation of two oil circuits, so that the rising and falling actions of the two oil circuits do not interfere with each other, it is an ideal hydraulic source for the single lifting system of multiple cylinders. It is widely used for scissors lift.



外形尺寸图 Outline Dimension

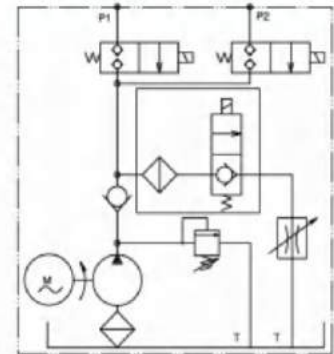


型号规格说明 Model Specifications

Type 型号	Motor 电机	Pump Displacement 泵排量 (cc/r)	Tank Capacity 油箱容积 (L)	Pressure 压力 (MPa)	Mounting 安装方式	Oil Port 油口尺寸
HPU1-29GOEIBVDFOA	AC220V 2.2Kw 2850rpm 50Hz	2.1	20	18	Vertical 立式	G1/4* (可定制 OR CUSTOMIZE)
HPU1-29GPEIBVDGOA	AC220V 3.0Kw 2850rpm 50Hz			25		
HPU1-29HOEIBVDFOA	AC380V 2.2Kw 2850rpm 50Hz			20		
HPU1-29HPEIBVDGOA	380V 3.0Kw 2850rpm 50Hz			25		

液压原理图029

Hydraulic circuit optional 029



注意事项 Special Notes

- 1、如需不同流量的泵、压力、电机功率等系统参数,请查看液压动力单元型号说明。
- 2、如需手动应急装置,请在订货时说明。
- 3、此动力单元不可连续运转(1分钟 ON,9分钟 OFF),可重复工作。
- 4、安装前必须保证油缸、油管、接头等液压元件清洁无任何杂质依附。
- 5、液压油粘度应为 15-68CST,应清洁无杂质,推荐使用 HM46 号液压油。
- 6、本液压动力单元适用于卧式安装。
- 7、首次启动运行系统后,应立即检查油箱中的油量是否充足。
- 8、系统使用第一个 100 小时后,应更换液压油,以后每 3000 小时更换一次液压油。

- 1、For different flow rate pump, pressure and motor power, please check the ordering guidance.
- 2、If you need manual oil discharge device for emergency, please specify when ordering.
- 3、This power unit can not run continuously (1 min ON,9 min OFF), it can work repeatedly.
- 4、Before installation, ensure that the hydraulic components such as the oil cylinder, oil pipe and joints are clean and free from any impurities.
- 5、The viscosity of hydraulic oil should be 15-68cst and should be clean and free of impurities. HM46 hydraulic oil is recommended.
- 6、This hydraulic power unit is suitable for vertical installation.
- 7、Check that whether there is enough oil in the oil tank immediately after the first operating of the system.
- 8、The hydraulic oil should be replaced after the first 100 hours' use of the system, and change the oil every 3,000 hours after that.

自卸拖车动力单元 1

DUMP TRAILER POWER UNIT 1



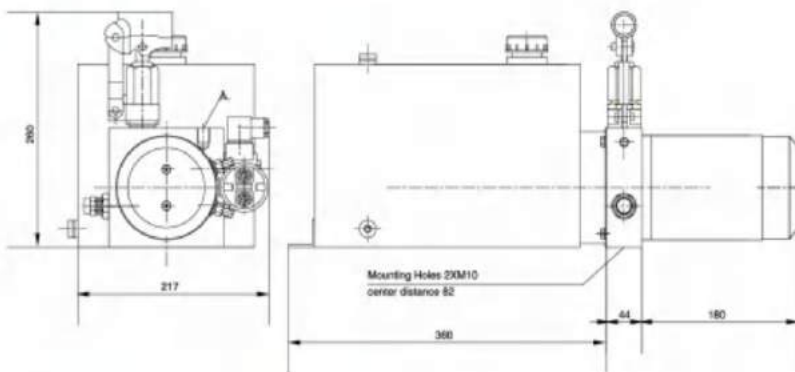
简介 General Description

此液压力单元专为小型翻斗车设计，采用高压齿轮泵、直流电机、多用集成块、电磁阀、油箱等零件组成系统。在停电时，手动泵可以实现上升动作，下降由电磁卸荷阀卸荷实现。

This hydraulic power unit is specially designed for small dumper truck. It is composed of DC motor, high pressure gear pump, multi-purpose integrated block, solenoid valve, oil tank and other parts. In case of power failure, manual hand pump can realize rising action, while descending action is realized by solenoid unloading valve.

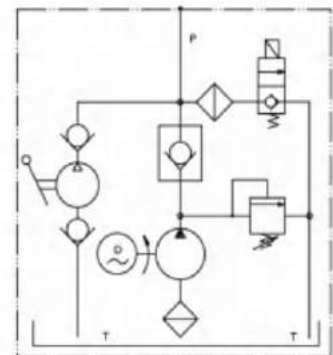


外形尺寸图 Outline Dimension



液压原理图012

Hydraulic circuit optional 012



型号规格说明 Model Specifications

Type 型号	Motor 电机	Pump Displacement 泵排量 (cc/r)	Tank Capacity 油箱容积 (L)	Pressure 压力 (MPa)	Mounting 安装方式	Oil Port 油口尺寸
HPU1-12ADAIAHAFLG	DC12V 1.6Kw 2500rpm	2.1	12	18	Horizontal 卧式	M14x1.5" (可定制 Or Customize)
HPU1-12BFAKBHAFLG	DC24V 2.2Kw 2700rpm	2.6		20		

注意事项 Special Notes

- 1、如需不同流量的泵、压力、电机功率等系统参数，请查看液压力单元型号说明。
- 2、此电机为间隙式工作制 S2=2 ~ 4MIN(一次启动持续工作时间)，不可以连续运转。
- 3、安装前必须保证油缸、油管、接头等液压元件清洁无任何杂质粘附。
- 4、液压油粘度应为 15-68CST，应清洁无杂质，推荐使用 HM46 号液压油。
- 5、如需手动应急放油装置，请在订货时说明。
- 6、首次启动运行系统后，应立即检查油箱中的油量是否充足。
- 7、系统使用第一个 100 小时后，应更换液压油，以后每 3000 小时更换一次液压油。

- 1、For different flow rate pump, pressure and motor power, please check the ordering guidance.
- 2、This motor is based on gap working system S2=2 ~ 4min(continuous working time), so it cannot run continuously.
- 3、Before installation, the cylinder, oil pipe, joint and other hydraulic components must be cleaned and free from any impurities.
- 4、The viscosity of hydraulic oil should be 15-68cst and should be clean and free of impurities. HM46 hydraulic oil is recommended.
- 5、If you need manual oil discharge device for emergency, please specify when ordering.
- 6、Check that whether there is enough oil in the oil tank immediately after the first operating of the system.
- 7、The hydraulic oil should be replaced after the first 100 hours' use of the system, and change the oil every 3,000 hours after that.

自卸拖车动力单元 2

DUMP TRAILER POWER UNIT 2



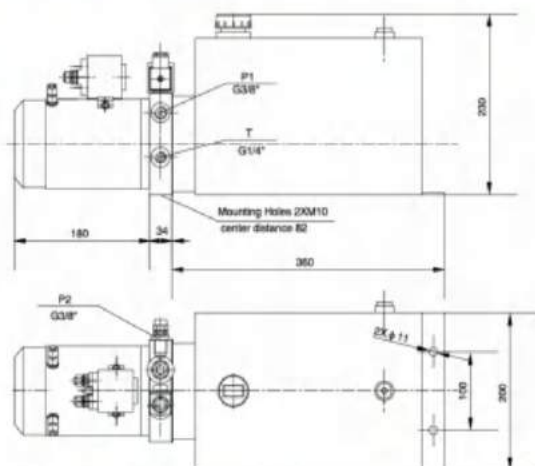
简介 General Description

此液压动力单元采用高压齿轮泵、直流电机、多用集成块、电磁阀、油箱等零件组成。系典型的动力上升，重力下降液压回路。启动电机，实现上升，打开电磁卸荷阀，实现下降。广泛应用于车辆机械、园林机械等。

This hydraulic power unit is composed of DC motor, high pressure gear pump, multi-purpose integrated block, solenoid valve oil tank and other parts. Start the motor, ascending, when electromagnetic unloading valve power on, descending. It is widely used in vehicle machinery, garden machinery and so on.

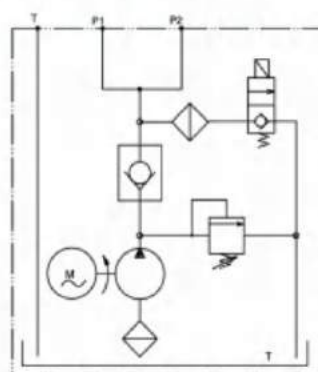


外形尺寸图 Outline Dimension



液压原理图008

Hydraulic circuit optional 008



型号规格说明 Model Specifications

Type 型号	Motor 电机	Pump Displacement 泵排量 (cc/r)	Tank Capacity 油箱容积 (L)	Pressure 压力 (MPa)	Mounting 安装方式	Oil Port 油口尺寸
HPU1-08ADAIAHAFLD	DC12V 1.6Kw 2500rpm	2.1	12	18	Horizontal 卧式	G3/8" (可定制 Or Customize)
HPU1-08BFAKBHAFLD	DC24V 2.2Kw 2700rpm	2.6		20		

注意事项 Special Notes

- 1、如需不同流量的泵、压力、电机功率等系统参数，请查看液压动力单元型号说明。
- 2、此电机为间隙式工作制 S2=2-4MIN(一次启动持续工作时间)，不可以连续运转。
- 3、安装前必须保证油缸、油管、接头等液压元件清洁无任何杂质粘附。
- 4、液压油粘度应为 15-68CST，应清洁无杂质，推荐使用 HM46 号液压油。
- 5、如需手动应急放油装置，请在订货时说明。
- 6、首次启动运行系统后，应立即检查油箱中的油量是否充足。
- 7、系统使用第一个 100 小时后，应更换液压油，以后每 3000 小时更换一次液压油。

- 1、For different flow rate pump, pressure and motor power, please check the ordering guidance.
- 2、This motor is based on gap working system S2=2-4min(continuous working time), so it cannot run continuously.
- 3、Before installation, the cylinder, oil pipe, joint and other hydraulic components must be cleaned and free from any impurities.
- 4、The viscosity of hydraulic oil should be 15-68cst and should be clean and free of impurities. HM46 hydraulic oil is recommended.
- 5、If you need manual oil discharge device for emergency, please specify when ordering.
- 6、Check that whether there is enough oil in the oil tank immediately after the first operating of the system.
- 7、The hydraulic oil should be replaced after the first 100 hours' use of the system, and change the oil every 3,000 hours after that.

自卸拖车动力单元 3

DUMP TRAILER POWER UNIT 3



简介 General Description

此液压动力单元采用高压齿轮泵、直流电机、多用集成块、电磁阀、油箱等零件组成。系典型的动力上升，动力下降液压回路。系统的第二溢流阀实现对下降压力的控制，电控液压锁实现系统的保压。广泛应用于小型自卸车、液压绞车等。

The hydraulic power unit is composed of DC motor, high pressure gear pump, multi-purpose integrated manifold, solenoid valve, tank and other parts. It is a typical hydraulic circuit of power up and gravity down. The down pressure is controlled by the second relief valve, the system can hold the pressure by the electric hydraulic lock.

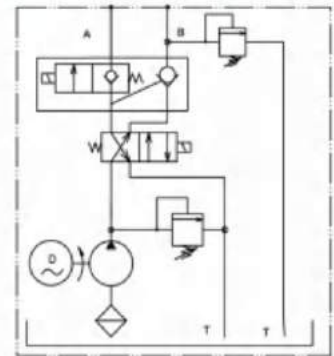
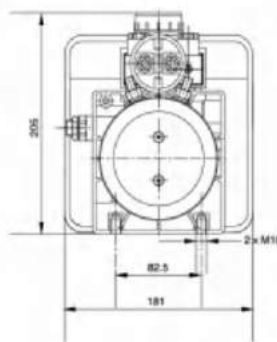
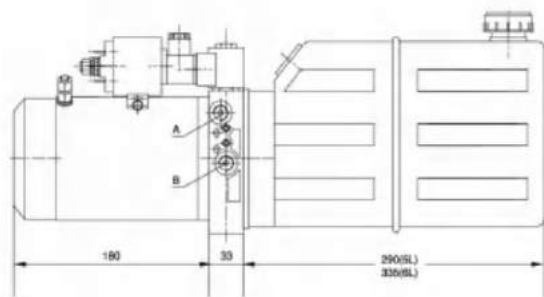
It is widely used in small dump truck, hydraulic winch, etc.



外形尺寸图 Outline Dimension

液压原理图069

Hydraulic circuit optional 069



型号规格说明 Model Specifications

Type 型号	Motor 电机	Pump Displacement 泵排量 (cc/r)	Tank Capacity 油箱容积 (L)	Pressure 压力 (MPa)	Mounting 安装方式	Oil Port 油口尺寸
HPU1-69ADAIAHAEGJ	DC12V 1.6Kw 2500rpm	2.1	5	16	Horizontal 卧式	9/16"-18 (可定制 Or Customize)
HPU1-69BFAKBHAFHJ	DC24V 2.2Kw 2700rpm	2.6	6	20		

注意事项 Special Notes

- 1、如需不同流量的泵、压力、电机功率等系统参数，请查看液压动力单元型号说明。
- 2、此电机为间隙式工作制 S2=2-4MIN(一次启动持续工作时间)，不可以连续运转。
- 3、安装前必须保证油缸、油管、接头等液压元件清洁无任何杂质粘附。
- 4、液压油粘度应为 15-68CST，应清洁无杂质，推荐使用 HM46 号液压油。
- 5、首次启动运行系统后，应立即检查油箱中的油量是否充足。
- 6、系统使用第一个 100 小时后，应更换液压油，以后每 3000 小时更换一次液压油。

- 1、For different flow rate pump, pressure and motor power, please check the ordering guidance.
- 2、This motor is based on gap working system S2=2-4min(continuous working time), so it cannot run continuously.
- 3、Before installation, the cylinder, oil pipe, joint and other hydraulic components must be cleaned and free from any impurities.
- 4、The viscosity of hydraulic oil should be 15-68cst and should be clean and free of impurities. HM46 hydraulic oil is recommended.
- 5、Check that whether there is enough oil in the oil tank immediately after the first operating of the system.
- 6、The hydraulic oil should be replaced after the first 100 hours' use of the system, and change the oil every 3,000 hours after that.

防撞缓冲车动力单元

ANTICOLLISION BUFFERING TRUCK POWER UNITS



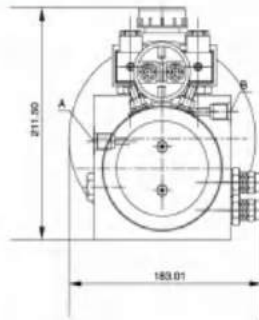
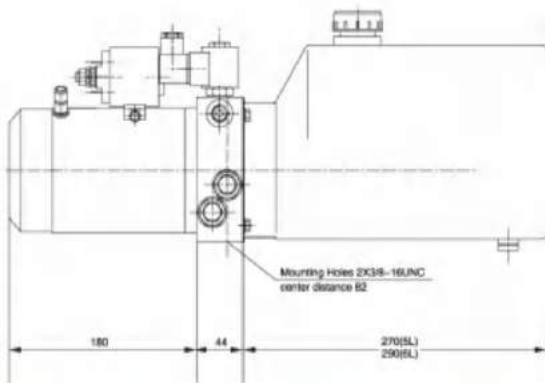
简介 General Description

此液压动力单元采用高压齿轮泵、直流电机、多用集成块、电磁阀、油箱等零件组成。系典型的动力上升，动力或重力下降液压回路。系统的第二溢流阀实现对下降压力的控制，压力补偿型节流阀自动对下降速度调整。广泛应用于小型自卸车、液压绞车、防撞缓冲车等。

The hydraulic power unit is composed of DC motor, high pressure gear pump, multi-purpose integrated manifold, solenoid valve, tank and other parts. It is a typical hydraulic circuit of power up and power or gravity drop. The down pressure is controlled by the second relief valve, and the down speed is adjusted automatically by the pressure compensation type throttle valve. It is widely used in small dump truck, hydraulic winch, anti-collision buffer car, etc.

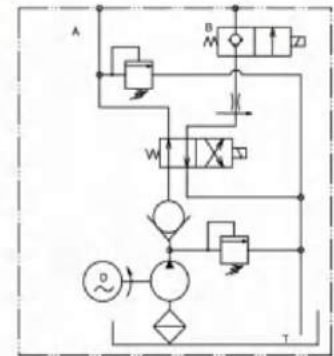


外形尺寸图 Outline Dimension



液压原理图047

Hydraulic circuit optional 047



型号规格说明 Model Specifications

Type 型号	Motor 电机	Pump Displacement 泵排量 (cc/r)	Tank Capacity 油箱容积 (L)	Pressure 压力 (MPa)	Mounting 安装方式	Oil Port 油口尺寸
HPU1-47ADAIAHAEGJ	DC12V 1.6Kw 2500rpm	2.1	5	16	Horizontal 卧式	9/16"-18 (可定制 Or Customize)
HPU1-47BFAKBHAFHJ	DC24V 2.2Kw 2700rpm	2.6	6	20		

注意事项 Special Notes

- 1、如需不同流量的泵、压力、电机功率等系统参数，请查看液压动力单元型号说明。
- 2、此电机为间隙式工作制 S2=2-4MIN(一次启动持续工作时间)，不可以连续运转。
- 3、安装前必须保证油缸、油管、接头等液压元件清洁无任何杂质粘附。
- 4、液压油粘度应为 15-68CST，应清洁无杂质，推荐使用 HM46 号液压油。
- 5、如需手动应急放油装置，请在订货时说明。
- 6、首次启动运行系统后，应立即检查油箱中的油量是否充足。
- 7、系统使用第一个 100 小时后，应更换液压油，以后每 3000 小时更换一次液压油。

- 1、For different flow rate pump, pressure and motor power, please check the ordering guidance.
- 2、This motor is based on gap working system S2=2-4min(continuous working time), so it cannot run continuously.
- 3、Before installation, the cylinder, oil pipe, joint and other hydraulic components must be cleaned and free from any impurities.
- 4、The viscosity of hydraulic oil should be 15-68cst and should be clean and free of impurities. HM46 hydraulic oil is recommended.
- 5、If you need manual oil discharge device for emergency, please specify when ordering.
- 6、Check that whether there is enough oil in the oil tank immediately after the first operating of the system.
- 7、The hydraulic oil should be replaced after the first 100 hours' use of the system, and change the oil every 3,000 hours after that.

升降平台动力单元 1

LIFT TABLE POWER UNITS 1



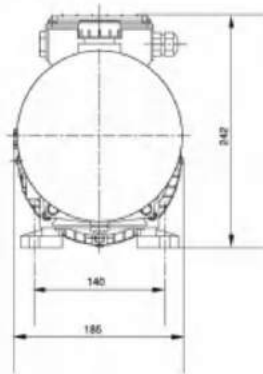
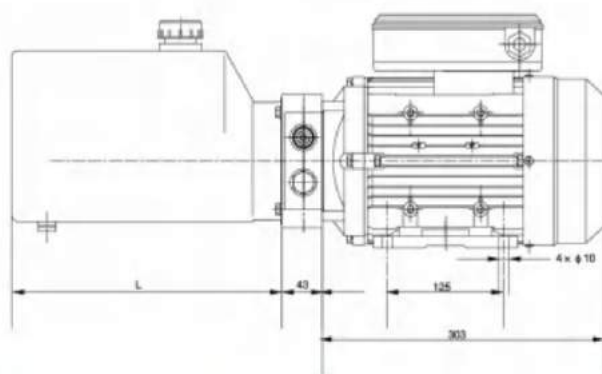
简介 General Description

此液压力单元由高压齿轮泵、交流电机、多用集成块、液压力阀、油箱等零部件有机结合为一体。为升降平台提供升降功能，定量压补阀，保持下降平稳。

This hydraulic power unit is composed of high pressure gear pump, AC motor, multi-purpose integrated block, hydraulic valve, tank and other parts. Providing lifting functions for the lifting platform, the quantitative pressure compensative valve makes the decline steady.

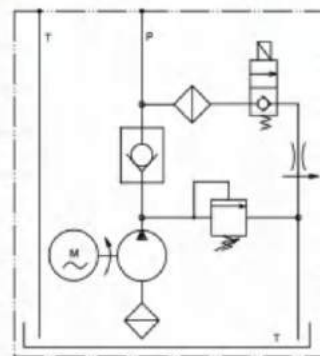


外形尺寸图 Outline Dimension



液压原理图010

Hydraulic circuit optional 010



型号规格说明 Model Specifications

Type 型号	Motor 电机	Pump Displacement 泵排量 (cc/r)	Tank Capacity 油箱容积 (L)	Pressure 压力 (MPa)	Mounting 安装方式	Oil Port 油口尺寸	L(mm)
HPU2-10GMEHBHCEH(Y)G	AC220V 1.5Kw 2850rpm 50Hz	2.1	6	16	Horizontal 卧式	M14x1.5" (可定制 OR CUSTOMIZE)	290
HPU2-10GMEIBHCDJ(Y)G		2.6	8	12			370
HPU2-10HOEIBHCFK(Y)G	AC380V 2.2Kw 2850rpm 50Hz	1.6	10	20			440
HPU2-10HOEKBHCEL(Y)G		2.1	12	16			545

注意事项 Special Notes

- 1、如需不同流量的泵、压力、电机功率等系统参数，请查看液压力单元型号说明。
- 2、如需手动应急装置，请在订货时说明。
- 3、此动力单元不可连续运转（1分钟ON,9分钟OFF），可重复工作。
- 4、安装前必须保证油缸、油管、接头等液压元件清洁无任何杂质粘附。
- 5、液压油粘度应为15-68CST，应清洁无杂质，推荐使用HM46号液压油。
- 6、本液压力单元适用于卧式安装。
- 7、首次启动运行系统后，应立即检查油箱中的油量是否充足。
- 8、系统使用第一个100小时后，应更换液压油，以后每3000小时更换一次液压油。

- 1、For different flow rate pump, pressure and motor power, please check the ordering guidance.
- 2、If you need manual oil discharge device for emergency, please specify when ordering.
- 3、This power unit can not run continuously (1 min ON,9 min OFF), it can work repeatedly.
- 4、Before installation, ensure that the hydraulic components such as the oil cylinder, oil pipe and joints are clean and free from any impurities.
- 5、The viscosity of hydraulic oil should be 15-68cst and should be clean and free of impurities. HM46 hydraulic oil is recommended.
- 6、This hydraulic power unit is suitable for Horizontal installation.
- 7、Check that whether there is enough oil in the oil tank immediately after the first operating of the system.
- 8、The hydraulic oil should be replaced after the first 100 hours' use of the system, and change the oil every 3,000 hours after that.

升降平台动力单元 2

LIFT TABLE POWER UNITS 2



简介 General Description

此液压动力单元由高压齿轮泵、交流电机、多用集成块、液压阀、油箱等零部件有机结合为一体。为升降平台提供升降功能，启动电机上升，打开电磁阀下降，可调节节流阀调整下降速度。

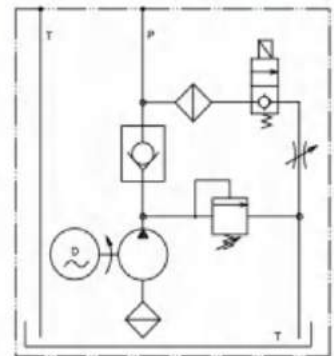
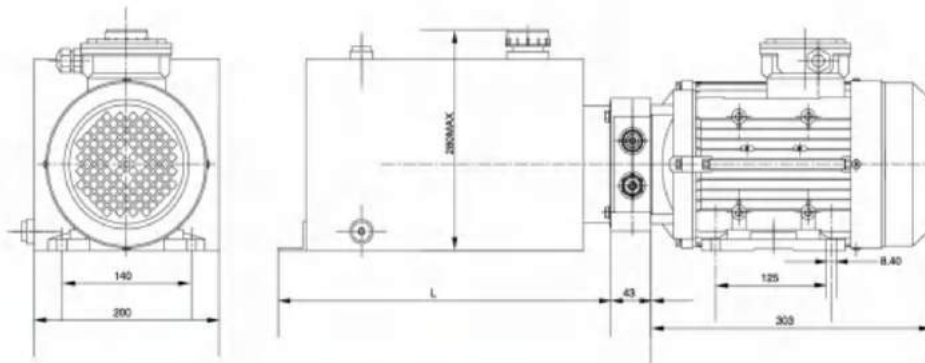
This hydraulic power unit is composed of high pressure gear pump, AC motor, multi-purpose integrated block, hydraulic valve, tank and other parts. Providing lifting functions for the lifting platform. Start the motor to rise, start the solenoid valve to fall, and adjust the throttle valve to adjust the falling speed.



外形尺寸图 Outline Dimension

液压原理图009

Hydraulic circuit optional 009



型号规格说明 Model Specifications

Type 型号	Motor 电机	Pump Displacement 泵排量 (cc/r)	Tank Capacity 油箱容积 (L)	Pressure 压力 (MPa)	Mounting 安装方式	Oil Port 油口尺寸	L(mm)
HPU2-09GOEKBHCELG	AC220V 2.2Kw 2850rpm 50Hz	2.6	12	16	Horizontal 卧式	M14x1.5* (可定制 OR CUSTOMIZE)	360
HPU2-09GOELBHCDNG		3.2	16	12			380
HPU2-09HPENBHCENG	AC380V 3Kw 2850rpm 50Hz	4.8	16	15			380
HPU2-09HPEOBHCDPG		4.2	22	12			420

注意事项 Special Notes

- 1、如需不同流量的泵、压力、电机功率等系统参数，请查看液压动力单元型号说明。
- 2、如需手动应急装置，请在订货时说明。
- 3、此动力单元不可连续运转（1分钟 ON, 9分钟 OFF），可重复工作。
- 4、安装前必须保证油缸、油管、接头等液压元件清洁无任何杂质粘附。
- 5、液压油粘度应为 15-68CST，应清洁无杂质，推荐使用 HM46 号液压油。
- 6、本液压动力单元适用于立式安装。
- 7、首次启动运行系统后，应立即检查油箱中的油量是否充足。
- 8、系统使用第一个 100 小时后，应更换液压油，以后每 3000 小时更换一次液压油。

- 1、For different flow rate pump, pressure and motor power, please check the ordering guidance.
- 2、If you need manual oil discharge device for emergency, please specify when ordering.
- 3、This power unit can not run continuously (1 min ON, 9 min OFF), it can work repeatedly.
- 4、Before installation, ensure that the hydraulic components such as the oil cylinder, oil pip and joints are clean and free from any impurities.
- 5、The viscosity of hydraulic oil should be 15-68cst and should be clean and free of impurities. HM46 hydraulic oil is recommended.
- 6、This hydraulic power unit is suitable for vertical installation.
- 7、Check that whether there is enough oil in the oil tank immediately after the first operating of the system.
- 8、The hydraulic oil should be replaced after the first 100 hours' use of the system, and change the oil every 3,000 hours after that.

升降平台动力单元 3

LIFT TABLE POWER UNITS 3

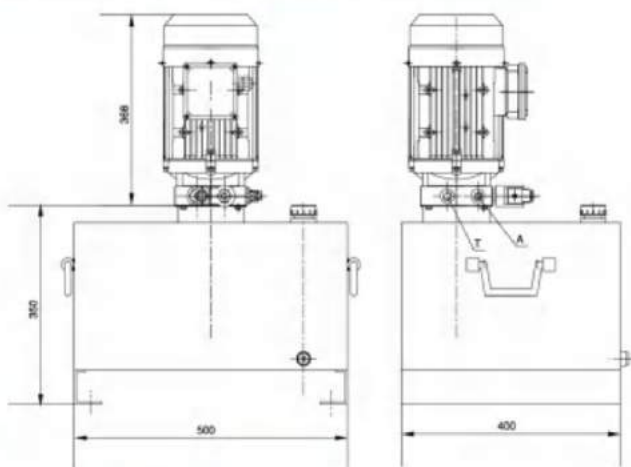


简介 General Description

此液压动力单元由高压齿轮泵、交流电机、多用集成块、液压阀、油箱等零部件有机结合为一体。为升降平台提供升降功能，启动电机上升，打开电磁阀下降，可调节节流阀调整下降速度。

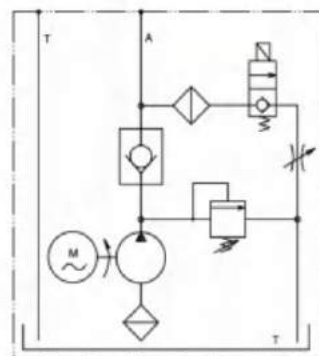
This hydraulic power unit is composed of high pressure gear pump, AC motor, multi-purpose integrated block, hydraulic valve, tank and other parts. Providing lifting functions for the lifting platform. Start the motor to rise, start the solenoid valve to fall, and adjust the throttle valve to adjust the falling speed.

外形尺寸图 Outline Dimension



液压原理图009

Hydraulic circuit optional 009



型号规格说明 Model Specifications

Type 型号	Motor 电机	Pump Displacement 泵排量 (cc/r)	Tank Capacity 油箱容积 (L)	Pressure 压力 (MPa)	Mounting 安装方式	Oil Port 油口尺寸	Solenoid Valve 电磁阀
HPU1-09HQEOBVDEUD	AC380V 4Kw 2850rpm 50Hz	4.8	50	16	Vertical 立式	G3/8" (可定制 OR CUSTOMIZE)	DC24V
HPU1-09HQEQBVDDUD		6.8		10			
HPU1-09HQERBVDCUD		7.8		6.3			

注意事项 Special Notes

- 1、如需不同流量的泵、压力、电机功率等系统参数，请查看液压动力单元型号说明。
- 2、如需手动应急装置，请在订货时说明。
- 3、此动力单元不可连续运转（1分钟 ON, 9分钟 OFF），可重复工作。
- 4、安装前必须保证油缸、油管、接头等液压元件清洁无任何杂质粘附。
- 5、液压油粘度应为 15-68CST，应清洁无杂质，推荐使用 HM46 号液压油。
- 6、本液压动力单元适用于立式安装。
- 7、首次启动运行系统后，应立即检查油箱中的油量是否充足。
- 8、系统使用第一个 100 小时后，应更换液压油，以后每 3000 小时更换一次液压油。

- 1、For different flow rate pump, pressure and motor power, please check the ordering guidance.
- 2、If you need manual oil discharge device for emergency, please specify when ordering.
- 3、This power unit can not run continuously (1 min ON, 9 min OFF), it can work repeatedly.
- 4、Before installation, ensure that the hydraulic components such as the oil cylinder, oil pipe and joints are clean and free from any impurities.
- 5、The viscosity of hydraulic oil should be 15-68cst and should be clean and free of impurities. HM46 hydraulic oil is recommended.
- 6、This hydraulic power unit is suitable for vertical installation.
- 7、Check that whether there is enough oil in the oil tank immediately after the first operating of the system.
- 8、The hydraulic oil should be replaced after the first 100 hours' use of the system, and change the oil every 3,000 hours after that.

登车桥动力单元 1

POWER UNITS FOR DOCK LEVELER 1



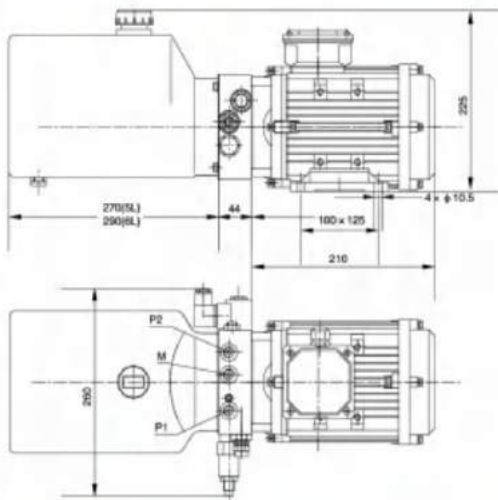
简介 General Description

此动力单元专为液压登车桥所设计，通过顺序阀控制主板和唇板的动作顺序，为登车桥提供升降功能。

This power unit is specially designed for hydraulic dock leveller, which provides lifting function for dock leveller. The action sequence of main board and lip plate is controlled by the sequence valve.

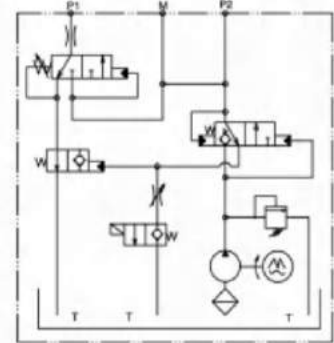


外形尺寸图 Outline Dimension



液压原理图032

Hydraulic circuit optional 032



型号规格说明 Model Specifications

Type 型号	Motor 电机	Pump Displacement 泵排量 (cc/r)	Tank Capacity 油箱容积 (L)	Pressure 压力 (MPa)	Mounting 安装方式	Oil Port 油口尺寸	Solenoid Vavlv 电磁阀
HPU1-32HKDIBHCEG(Y)D	AC380V 0.75Kw	2.1	5	14	Horizontal 卧式	G3/8" (可定制 OR CUSTOMIZE)	DC24V
HPU1-32HKDKBHCDH(Y)D	1450rpm 50Hz	2.6	6	12.5			
HPU1-32HLDLBHCEH(Y)D	AC380V 1.1Kw 1450rpm 50Hz	3.2	6	14			

注意事项 Special Notes

- 1、如需不同流量的泵、压力、电机功率等系统参数，请查看液压动力单元型号说明。
- 2、如需手动应急装置，请在订货时说明。
- 3、此动力单元不可连续运转（1分钟 ON, 9分钟 OFF），可重复工作。
- 4、安装前必须保证油缸、油管、接头等液压元件清洁无任何杂质粘附。
- 5、液压油粘度应为 15-68CST，应清洁无杂质，推荐使用 HM46 号液压油。
- 6、本液压动力单元适用于卧式安装。
- 7、首次启动运行系统后，应立即检查油箱中的油量是否充足。
- 8、系统使用第一个 100 小时后，应更换液压油，以后每 3000 小时更换一次液压油。

- 1、For different flow rate pump, pressure and motor power, please check the ordering guidance.
- 2、If you need manual oil discharge device for emergency, please specify when ordering.
- 3、This power unit can not run continuously (1 min ON, 9 min OFF), it can work repeatedly.
- 4、Before installation, ensure that the hydraulic components such as the oil cylinder, oil pip and joints are clean and free from any impurities.
- 5、The viscosity of hydraulic oil should be 15-68cst and should be clean and free of impurities. HM46 hydraulic oil is recommended.
- 6、This hydraulic power unit is suitable for Horizontal installation.
- 7、Check that whether there is enough oil in the oil tank immediately after the first operating of the system.
- 8、The hydraulic oil should be replaced after the first 100 hours' use of the system, and change the oil every 3,000 hours after that.

登车桥动力单元 2

POWER UNITS FOR DOCK LEVELER 2



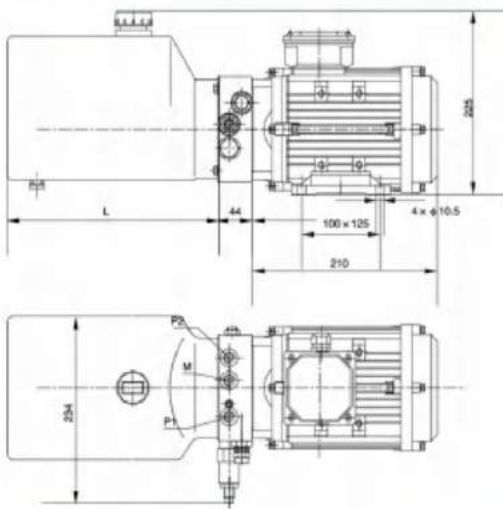
简介 General Description

此动力单元专为液压登车桥所设计，通过顺序阀控制主板和唇板的动作顺序，为登车桥提供升降功能。

This power unit is specially designed for hydraulic dock leveller, which provides lifting function for dock leveller. The action sequence of main board and lip plate is controlled by the sequence valve.

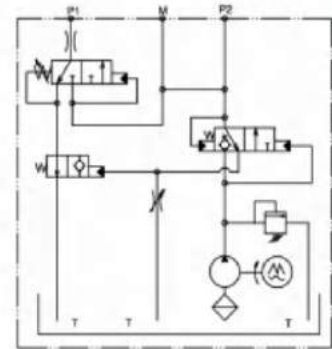


外形尺寸图 Outline Dimension



液压原理图093

Hydraulic circuit optional 093



型号规格说明 Model Specifications

Type 型号	Motor 电机	Pump Displacement 泵排量 (cc/r)	Tank Capacity 油箱容积 (L)	Pressure 压力 (MPa)	Mounting 安装方式	Oil Port 油口尺寸	L (mm)
HPU1-93HKDIHHCEG(Y)D	AC380V 0.75Kw 1450rpm 50Hz	2.1	5	14	Horizontal 卧式	G3/8" (可定制 OR CUSTOMIZE)	270
HPU1-93HKDKHHCDH(Y)D		2.6	6	12.5			290
HPU1-93HKDLHHCEH(Y)D	AC380V 1.1Kw 1450rpm 50Hz	3.2	6	14			

注意事项 Special Notes

- 1、如需不同流量的泵、压力、电机功率等系统参数，请查看液压力单元型号说明。
- 2、如需手动应急装置，请在订货时说明。
- 3、此动力单元不可连续运转（1分钟 ON, 9分钟 OFF），可重复工作。
- 4、安装前必须保证油缸、油管、接头等液压元件清洁无任何杂质粘附。
- 5、液压油粘度应为 15-68CST，应清洁无杂质，推荐使用 HM46 号液压油。
- 6、本液压力单元适用于卧式安装。
- 7、首次启动运行系统后，应立即检查油箱中的油量是否充足。
- 8、系统使用第一个 100 小时后，应更换液压油，以后每 3000 小时更换一次液压油。

- 1、For different flow rate pump, pressure and motor power, please check the ordering guidance.
- 2、If you need manual oil discharge device for emergency, please specify when ordering.
- 3、This power unit can not run continuously (1 min ON, 9 min OFF), it can work repeatedly.
- 4、Before installation, ensure that the hydraulic components such as the oil cylinder, oil pipe and joints are clean and free from any impurities.
- 5、The viscosity of hydraulic oil should be 15-68cst and should be clean and free of impurities. HM46 hydraulic oil is recommended.
- 6、This hydraulic power unit is suitable for Horizontal installation.
- 7、Check that whether there is enough oil in the oil tank immediately after the first operating of the system.
- 8、The hydraulic oil should be replaced after the first 100 hours' use of the system, and change the oil every 3,000 hours after that.

双向动力单元

BIDIRECTIONAL POWER UNIT



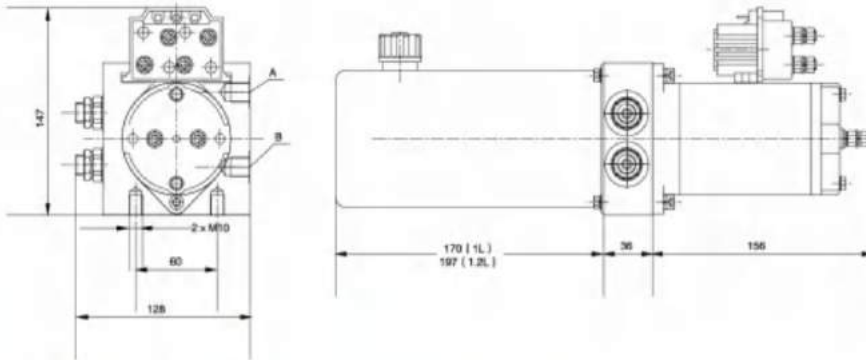
简介 General Description

此液压微型动力单元由双向齿轮泵、直流电机、多用集成块、液压阀、油箱等零部件组成，可以在没有换向阀的情况下完成换向任务。体积小、结构紧凑、性能稳定，广泛应用于车辆、机床等设备。

This hydraulic power unit is composed of bidirectional gear pump, DC motor, multi-purpose integrated block, hydraulic valve, tank and other parts. It can change the oil direction without reversing valve. With small size, compact structure, stable performance, it is widely used in vehicle machine tools and other equipment.

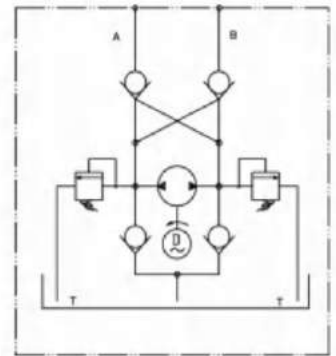


外形尺寸图 Outline Dimension



液压原理图040

Hydraulic circuit optional 040



型号规格说明 Model Specifications

Type 型号	Motor 电机	Pump Displacement 泵排量 (cc/r)	Tank Capacity 油箱容积 (L)	Pressure 压力 (MPa)	Mounting 安装方式	Oil Port 油口尺寸
HPU1-40ABBCHHAFA(Y)A	DC12V 0.8Kw 3500rpm	0.5	1	20	Horizontal 卧式	G1/4" (可定制 OR CUSTOMIZE)
HPU1-40BBBEHHAEB(Y)A	DC24V 0.8Kw 3500rpm	0.75	1.2	16		
HPU1-40ACBEHHAFA(Y)A	DC12V 1.2Kw 3200rpm	0.75	1	20		
HPU1-40BCBFHHAEB(Y)A	DC24V 1.2Kw 3200rpm	1	1.2	16		

注意事项 Special Notes

- 1、如需不同流量的泵、压力、电机功率等系统参数，请查看液压动力单元型号说明。
- 2、此电机为间隙式工作制 S2=2-4MIN(一次启动持续工作时间)，不可以连续运转。
- 3、安装前必须保证油缸、油管、接头等液压元件清洁无任何杂质粘附。
- 4、液压油粘度应为 15-68CST，应清洁无杂质，推荐使用 HM46 号液压油。
- 5、首次启动运行系统后，应立即检查油箱中的油量是否充足。
- 6、系统使用第一个 100 小时后，应更换液压油，以后每 3000 小时更换一次液压油。

- 1、For different flow rate pump, pressure and motor power, please check the ordering guidance.
- 2、This motor is based on gap working system S2=2-4min(continuous working time), so it cannot run continuously.
- 3、Before installation, the cylinder, oil pipe, joint and other hydraulic components must be cleaned and free from any impurities.
- 4、The viscosity of hydraulic oil should be 15-68cst and should be clean and free of impurities. HM46 hydraulic oil is recommended.
- 5、Check that whether there is enough oil in the oil tank immediately after the first operating of the system.
- 6、The hydraulic oil should be replaced after the first 100 hours' use of the system, and change the oil every 3,000 hours after that.

车用轮椅升降台动力单元

WHEELCHAIR LIFT POWER UNIT



简介 General Description

此动力单元专为残疾人车用轮椅升降器所设计，可以电动控制上升，也可以手动控制上升，下降由电磁阀卸荷来实现，定量压力补偿型节流阀，保持下降平稳。

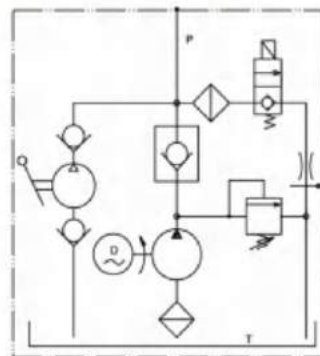
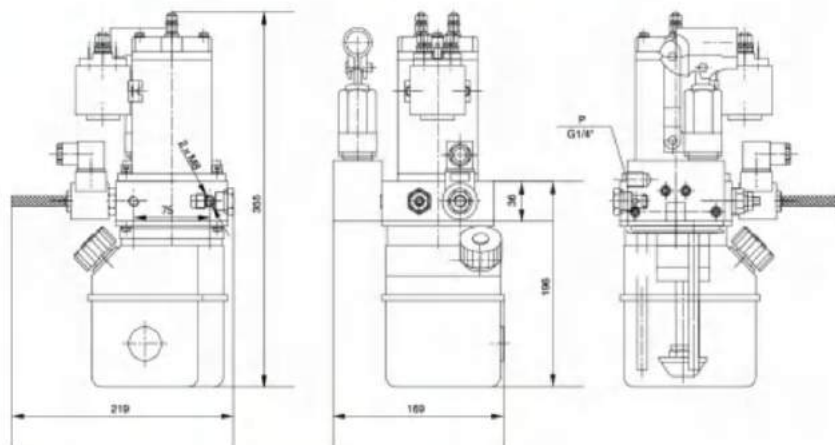
This power unit is specially designed for wheelchair lifter for disabled vehicles, which can be electrically controlled to rise or manually controlled to rise, the descending is controlled by the unloading solenoid valve. The quantitative pressure compensating throttle valve makes the descending steady.



外形尺寸图 Outline Dimension

液压原理图099

Hydraulic circuit optional 099



型号规格说明 Model Specifications

Type 型号	Motor 电机	Pump Displacement 泵排量 (cc/r)	Tank Capacity 油箱容积 (L)	Pressure 压力 (MPa)	Mounting 安装方式	Oil Port 油口尺寸
HPU1-99ABBCAVAEB(S)A	DC12V 0.8Kw 3500rpm	0.5	1.3	16	vertical 立式	G1/4" (可定制 OR CUSTOMIZE)
HPU1-99ABBEAUAEB(S)A		0.75				
HPU1-99BBBCBVAEB(S)A	DC24V 0.8Kw 3500rpm	0.5				
HPU1-99BBBEAUAEB(S)A		0.75				

注意事项 Special Notes

- 1、如需不同流量的泵、压力、电机功率等系统参数，请查看液压力单元型号说明。
- 2、此电机为间隙式工作制 S2=2-4MIN(一次启动持续工作时间)，不可以连续运转。
- 3、安装前必须保证油缸、油管、接头等液压元件清洁无任何杂质粘附。
- 4、液压油粘度应为 15-68CST,应清洁无杂质,推荐使用 HM46 号液压油。
- 5、如需手动应急放油装置,请在订货时说明。
- 6、首次启动运行系统后,应立即检查油箱中的油量是否充足。
- 7、系统使用第一个 100 小时后,应更换液压油,以后每 3000 小时更换一次液压油。

- 1、For different flow rate pump, pressure and motor power, please check the ordering guidance.
- 2、This motor is based on gap working system S2=2-4min(continuous working time), so it cannot run continuously.
- 3、Before installation, the cylinder, oil pipe, joint and other hydraulic components must be cleaned and free from any impurities.
- 4、The viscosity of hydraulic oil should be 15-68cst and should be clean and free of impurities.HM46 hydraulic oil is recommended.
- 5、If you need manual oil discharge device for emergency , please specify when ordering.
- 6、Check that whether there is enough oil in the oil tank immediately after the first operating of the system.
- 7、The hydraulic oil should be replaced after the first 100 hours' use of the system, and change the oil every 3,000 hours after that.

客车座椅升降系统动力单元

HYDRAULIC POWER PACK FOR BUS WHEELCHAIR LIFTING SYSTEM



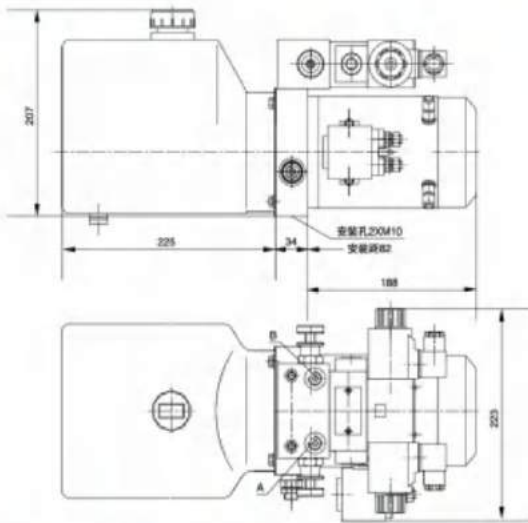
简介 General Description

此动力单元专为客车座椅升降系统所设计，通过电磁阀的换向来实现客车座椅的升降动作，用可调压力补偿型节流阀来保持升降平稳。

This power unit is specially designed for bus wheelchair lifting system. The lifting movement of the wheelchair is realized by the solenoid valve, and the adjustable pressure compensating throttle valve is to keep the lifting steady.

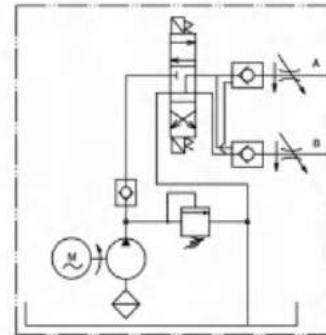


外形尺寸图 Outline Dimension



液压原理图105

Hydraulic circuit optional 105



型号规格说明 Model Specifications

Type 型号	Motor 电机	Pump Displacement 泵排量 (cc/r)	Tank Capacity 油箱容积 (L)	Pressure 压力 (MPa)	Mounting 安装方式	Oil Port 油口尺寸
HPU1-105ADAEHAFF(Y)G	DC12V 1.6KW 2500RPM	0.75	4	21	Horizontal 卧式	M14x1.5" (可定制 Or Customize)
HPU1-105BDAEBHAFF(Y)G	DC24V 1.6KW 2500RPM					

注意事项 Special Notes

- 1、如需不同流量的泵、压力、电机功率等系统参数，请查看液压力单元型号说明。
- 2、此电机为间隙式工作制 S2=2-4MIN(一次启动持续工作时间)，不可以连续运转。
- 3、安装前必须保证油缸、油管、接头等液压元件清洁无任何杂质粘附。
- 4、液压油粘度应为 15-68CST，应清洁无杂质，推荐使用 HM46 号液压油。
- 5、首次启动运行系统后，应立即检查油箱中的油量是否充足。
- 6、系统使用第一个 100 小时后，应更换液压油，以后每 3000 小时更换一次液压油。

- 1、For different flow rate pump, pressure and motor power, please check the ordering guidance.
- 2、This motor is based on gap working system S2=2-4min(continuous working time), so it cannot run continuously.
- 3、Before installation, the cylinder, oil pipe, joint and other hydraulic components must be cleaned and free from any impurities.
- 4、The viscosity of hydraulic oil should be 15-68cst and should be clean and free of impurities. HM46 hydraulic oil is recommended.
- 5、Check that whether there is enough oil in the oil tank immediately after the first operating of the system.
- 6、The hydraulic oil should be replaced after the first 100 hours' use of the system, and change the oil every 3,000 hours after that.

展翼车动力单元 1

WINGSPAN VAN POWER UNIT 1



恩荣液压

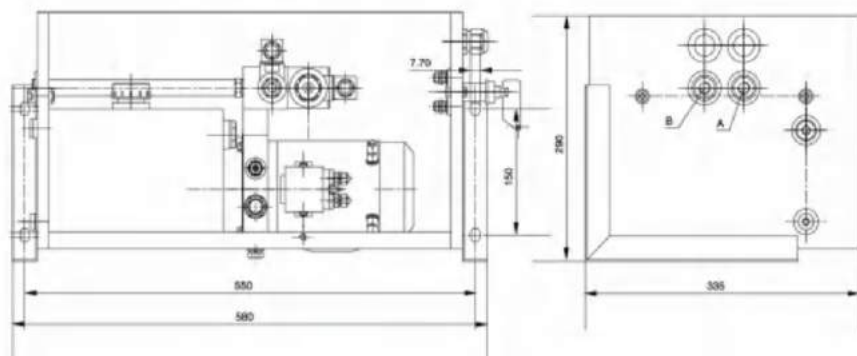
简介 General Description

此液压动力单元用于厢式货车厢板翼开控制系统。有单翼侧开和双翼侧开两种，采用电磁换向阀的换向来实现厢板的打开和关闭，厢板的关闭速度由节流阀进行调节，性能可靠，质量稳定。

This hydraulic power unit is used for the wingspan van control system, which has two kinds: single wing plate opening and double wing plate opening. It adopts the electromagnetic directional valve to realize the opening and closing of the wing plate. The closing speed of the wing plate is adjusted by the throttle valve, with reliable performance and stable quality.

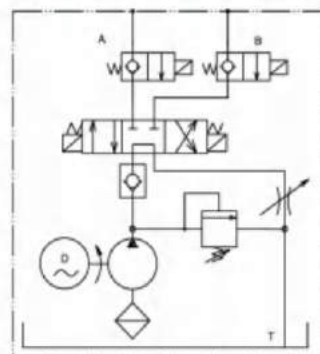


外形尺寸图 Outline Dimension



液压原理图050

Hydraulic circuit optional 050



型号规格说明 Model Specifications

Type 型号	Motor 电机	Pump Displacement 泵排量 (cc/r)	Tank Capacity 油箱容积 (L)	Pressure 压力 (MPa)	Mounting 安装方式	Oil Port 油口尺寸
HPU1-50AEAIHDEKG	DC12V 2.0Kw 2500rpm	2.1	10	18	Horizontal 卧式	M14x1.5" (可定制 OR CUSTOMIZE)
HPU1-50BFAKBHDFKG	DC24V 2.2Kw 2700rpm	2.6		20		
HPU1-50BGALBHDFKG	DC24V 3.0Kw 2500rpm	3.2		20		

注意事项 Special Notes

- 1、如需不同流量的泵、压力、电机功率等系统参数，请查看液压动力单元型号说明。
- 2、此电机为间隙式工作制 S2=2-4MIN(一次启动持续工作时间)，不可以连续运转。
- 3、安装前必须保证油缸、油管、接头等液压元件清洁无任何杂质粘附。
- 4、液压油粘度应为 15-68CST，应清洁无杂质，推荐使用 HM46 号液压油。
- 5、如需手动应急放油装置，请在订货时说明。
- 6、首次启动运行系统后，应立即检查油箱中的油量是否充足。
- 7、系统使用第一个 100 小时后，应更换液压油，以后每 3000 小时更换一次液压油。

- 1、For different flow rate pump, pressure and motor power, please check the ordering guidance.
- 2、This motor is based on gap working system S2=2-4min(continuous working time), so it cannot run continuously.
- 3、Before installation, the cylinder, oil pipe, joint and other hydraulic components must be cleaned and free from any impurities.
- 4、The viscosity of hydraulic oil should be 15-68cst and should be clean and free of impurities. HM46 hydraulic oil is recommended.
- 5、If you need manual oil discharge device for emergency, please specify when ordering.
- 6、Check that whether there is enough oil in the oil tank immediately after the first operating of the system.
- 7、The hydraulic oil should be replaced after the first 100 hours' use of the system, and change the oil every 3,000 hours after that.

展翼车动力单元 2

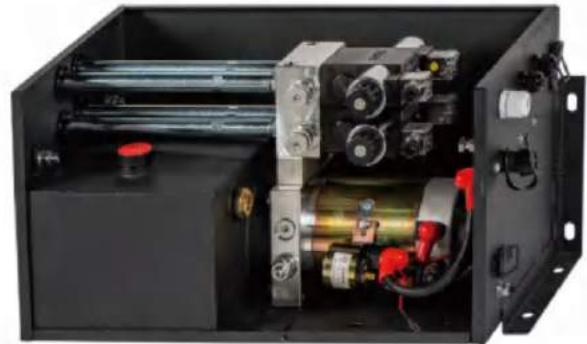
WINGSPAN VAN POWER UNIT 2



简介 General Description

此液压动力单元用于厢式货车厢板翼开控制系统。有单翼侧开和双翼侧开两种，采用电磁换向阀的换向来实现厢板的打开和关闭，厢板的关闭速度由节流阀进行调节，性能可靠，质量稳定。

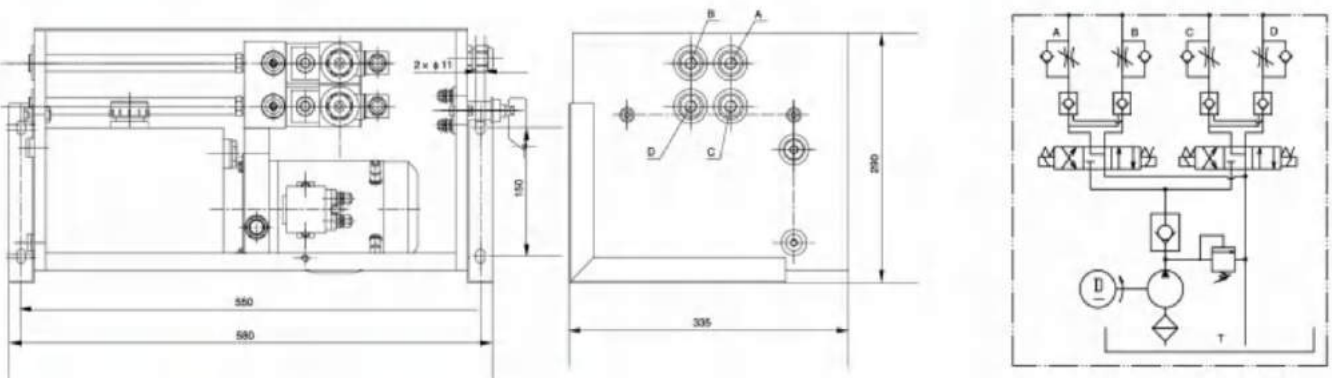
This hydraulic power unit is used for the wingspan van control system, which has two kinds: single wing plate opening and double wing plate opening. It adopts the electromagnetic directional valve to realize the opening and closing of the wing plate. The closing speed of the wing plate is adjusted by the throttle valve, with reliable performance and stable quality.



外形尺寸图 Outline Dimension

液压原理图046

Hydraulic circuit optional 046



型号规格说明 Model Specifications

Type 型号	Motor 电机	Pump Displacement 泵排量 (cc/r)	Tank Capacity 油箱容积 (L)	Pressure 压力 (MPa)	Mounting 安装方式	Oil Port 油口尺寸
HPU1-46AEIAIHDEKG	DC12V 2.0Kw 2500rpm	2.1	10	18	Horizontal 卧式	M14x1.5* (可定制 OR CUSTOMIZE)
HPU1-46BFAKBHDFKG	DC24V 2.2Kw 2700rpm	2.6		20		
HPU1-46BGALBHDFKG	DC24V 3.0Kw 2500rpm	3.2		20		

注意事项 Special Notes

- 1、如需不同流量的泵、压力、电机功率等系统参数，请查看液压动力单元型号说明。
- 2、此电机为间隙式工作制 S2=2~4MIN(一次启动持续工作时间)，不可以连续运转。
- 3、安装前必须保证油缸、油管、接头等液压元件清洁无任何杂质粘附。
- 4、液压油粘度应为 15-68CST，应清洁无杂质，推荐使用 HM46 号液压油。
- 5、如需手动应急放油装置，请在订货时说明。
- 6、首次启动运行系统后，应立即检查油箱中的油量是否充足。
- 7、系统使用第一个 100 小时后，应更换液压油，以后每 3000 小时更换一次液压油。

- 1、For different flow rate pump, pressure and motor power, please check the ordering guidance.
- 2、This motor is based on gap working system S2=2 ~ 4min(continuous working time), so it cannot run continuously.
- 3、Before installation, the cylinder, oil pipe, joint and other hydraulic components must be cleaned and free from any impurities.
- 4、The viscosity of hydraulic oil should be 15-68cst and should be clean and free of impurities. HM46 hydraulic oil is recommended.
- 5、If you need manual oil discharge device for emergency, please specify when ordering.
- 6、Check that whether there is enough oil in the oil tank immediately after the first operating of the system.
- 7、The hydraulic oil should be replaced after the first 100 hours' use of the system, and change the oil every 3,000 hours after that.

雪板液压动力单元 1

SNOW REMOVER POWER UNIT 1



简介 General Description

此动力单元专为各类卡车加装各类型雪板所设计，为雪板提供升降和左右摆动功能。有不同回路，不同阀型可选择。

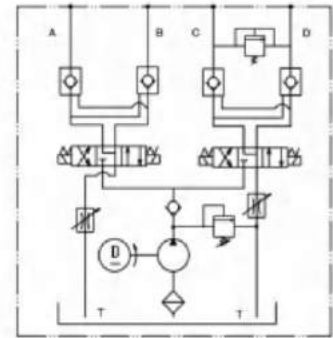
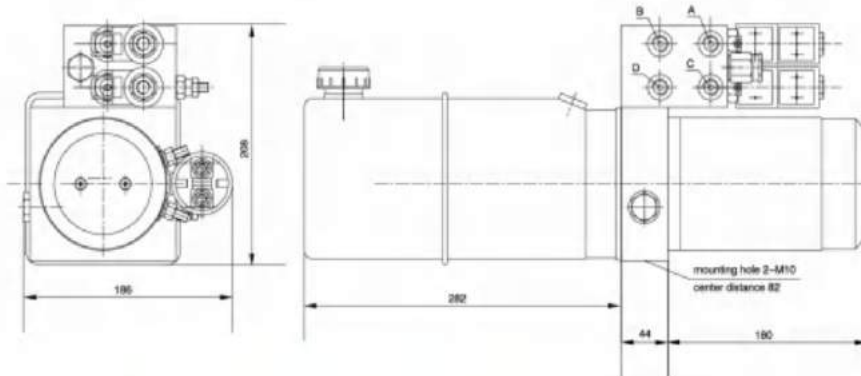
This power unit is specially designed for all kinds of trucks to add different types of skis, providing skis with lifting and left-right swing functions. Different loops and different valves are optional.



外形尺寸图 Outline Dimension

液压原理图060

Hydraulic circuit optional 060



型号规格说明 Model Specifications

Type 型号	Motor 电机	Pump Displacement 泵排量 (cc/r)	Tank Capacity 油箱容积 (L)	Pressure 压力 (MPa)	Mounting 安装方式	Oil Port 油口尺寸
HPU1-60ADAGAHAFE(S)A	DC12V 1.6Kw 2500rpm	1.3	3.5	1.8	Horizontal 卧式	G1/4" (可定制 Or Customize)
HPU1-60BFAHBHAFE(S)A	DC24V 2.2Kw 2700rpm	1.6				

注意事项 Special Notes

- 1、如需不同流量的泵、压力、电机功率等系统参数，请查看液压力单元型号说明。
- 2、此电机为间隙式工作制 S2=2-4MIN(一次启动持续工作时间)，不可以连续运转。
- 3、安装前必须保证油缸、油管、接头等液压元件清洁无任何杂质粘附。
- 4、液压油粘度应为 15-68CST，应清洁无杂质，推荐使用 HM46 号液压油。
- 5、首次启动运行系统后，应立即检查油箱中的油量是否充足。
- 6、系统使用第一个 100 小时后，应更换液压油，以后每 3000 小时更换一次液压油。

- 1、For different flow rate pump, pressure and motor power, please check the ordering guidance.
- 2、This motor is based on gap working system S2=2 - 4min(continuous working time), so it cannot run continuously.
- 3、Before installation, the cylinder, oil pipe, joint and other hydraulic components must be cleaned and free from any impurities.
- 4、The viscosity of hydraulic oil should be 15-68cst and should be clean and free of impurities. HM46 hydraulic oil is recommended.
- 5、Check that whether there is enough oil in the oil tank immediately after the first operating of the system.
- 6、The hydraulic oil should be replaced after the first 100 hours' use of the system, and change the oil every 3,000 hours after that.

雪板液压动力单元 2

SNOW REMOVER POWER UNIT 2



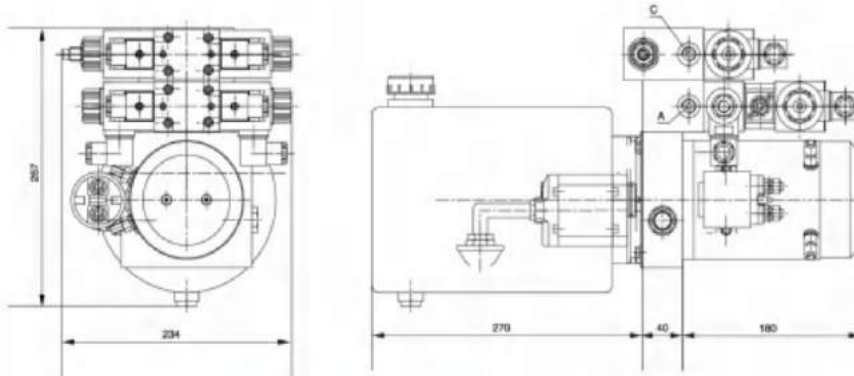
简介 General Description

此动力单元专为各类卡车加装各类型雪板所设计，为雪板提供升降和左右摆动功能。有不同回路，不同阀型可选择。

This power unit is specially designed for all kinds of trucks to add different types of skis, providing skis with lifting and left-right swing functions. Different loops and different valves are optional.

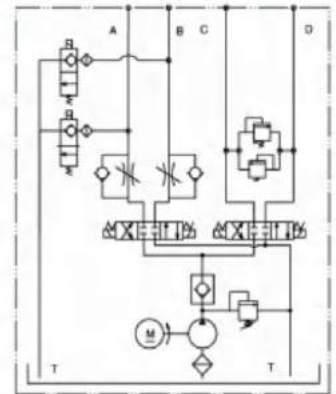


外形尺寸图 Outline Dimension



液压原理图079

Hydraulic circuit optional 079



型号规格说明 Model Specifications

Type 型号	Motor 电机	Pump Displacement 泵排量 (cc/r)	Tank Capacity 油箱容积 (L)	Pressure 压力 (MPa)	Mounting 安装方式	Oil Port 油口尺寸
HPU1-79AEAHAHAEG(Y)	DC12V 2.0Kw 2500rpm	1.6	5	16	Horizontal 卧式	M18x1.5" (可定制 Or Customize)
HPU1-79BFAIBHAEG(Y)	DC24V 2.2Kw 2700rpm					

注意事项 Special Notes

- 1、如需不同流量的泵、压力、电机功率等系统参数，请查看液压动力单元型号说明。
- 2、此电机为间隙式工作制 S2=2-4MIN(一次启动持续工作时间)，不可以连续运转。
- 3、安装前必须保证油缸、油管、接头等液压元件清洁无任何杂质粘附。
- 4、液压油粘度应为 15-68CST，应清洁无杂质，推荐使用 HM46 号液压油。
- 5、如需手动应急放油装置，请在订货时说明。
- 6、首次启动运行系统后，应立即检查油箱中的油量是否充足。
- 7、系统使用第一个 100 小时后，应更换液压油，以后每 3000 小时更换一次液压油。

- 1、For different flow rate pump, pressure and motor power, please check the ordering guidance.
- 2、This motor is based on gap working system S2=2 - 4min(continuous working time), so it cannot run continuously.
- 3、Before installation, the cylinder, oil pipe, joint and other hydraulic components must be cleaned and free from any impurities.
- 4、The viscosity of hydraulic oil should be 15-68cst and should be clean and free of impurities. HM46 hydraulic oil is recommended.
- 5、If you need manual oil discharge device for emergency, please specify when ordering.
- 6、Check that whether there is enough oil in the oil tank immediately after the first operating of the system.
- 7、The hydraulic oil should be replaced after the first 100 hours' use of the system, and change the oil every 3,000 hours after that.

液压支腿动力单元

HYDRAULIC LEG POWER UNIT



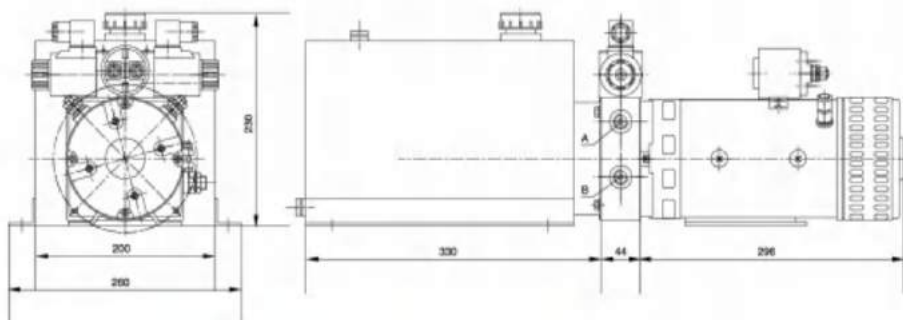
简介 General Description

此动力单元专为挂车液压支腿所设计，根据油缸缸径和系统压力的配置，最高可以承载 90T 的重量。

This power unit is specially designed for the hydraulic leg of trailer, which can carry up at most 90T weight according to the cylinder diameter and system pressure.

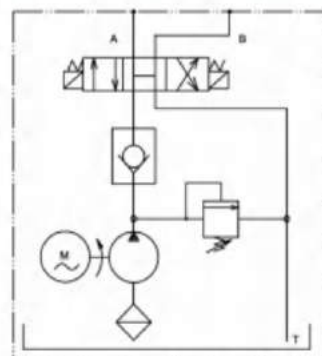


外形尺寸图 Outline Dimension



液压原理图094

Hydraulic circuit optional 094



型号规格说明 Model Specifications

Type 型号	Motor 电机	Pump Displacement 泵排量 (cc/r)	Tank Capacity 油箱容积 (L)	Pressure 压力 (MPa)	Mounting 安装方式	Oil Port 油口尺寸
HPU1-94BHBLBHCNG	DC24V 4Kw 3100rpm	3.2	16	25	Horizontal 卧式	M14x1.5" (可定制 OR CUSTOMIZE)
HPU1-94BHBNBHCFFG		4.2	22	20		
HPU1-94BHBLBHCFFG	DC24V 3Kw 2500rpm	3.2	16	20		
HPU1-94BHBKBCFLG	DC24V 2.2Kw 2700rpm	2.6	12	20		

注意事项 Special Notes

- 1、如需不同流量的泵、压力、电机功率等系统参数，请查看液压动力单元型号说明。
- 2、此电机为间隙式工作制 S2=8~12MIN(一次启动持续工作时间)，不可以连续运转。
- 3、安装前必须保证油缸、油管、接头等液压元件清洁无任何杂质粘附。
- 4、液压油粘度应为 15-68CST，应清洁无杂质，推荐使用 HM46 号液压油。
- 5、首次启动运行系统后，应立即检查油箱中的油量是否充足。
- 6、系统使用第一个 100 小时后，应更换液压油，以后每 3000 小时更换一次液压油。

- 1、For different flow rate pump, pressure and motor power, please check the ordering guidance.
- 2、This motor is based on gap working system S2=8 ~ 12min(continuous working time), so it cannot run continuously.
- 3、Before installation, the cylinder, oil pipe, joint and other hydraulic components must be cleaned and free from any impurities.
- 4、The viscosity of hydraulic oil should be 15-68cst and should be clean and free of impurities.HM46 hydraulic oil is recommended.
- 5、Check that whether there is enough oil in the oil tank immediately after the first operating of the system.
- 6、The hydraulic oil should be replaced after the first 100 hours' use of the system, and change the oil every 3,000 hours after that.

液压爬梯动力单元 1

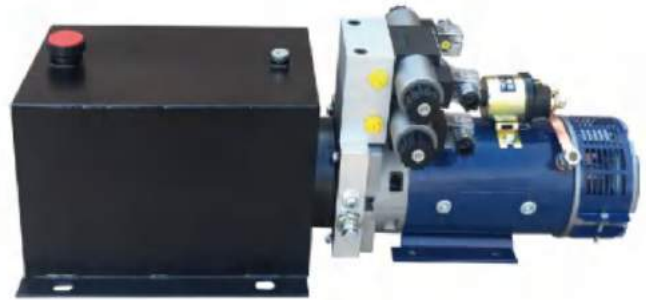
HYDRAULIC CLIMBING LADDER POWER UNIT 1



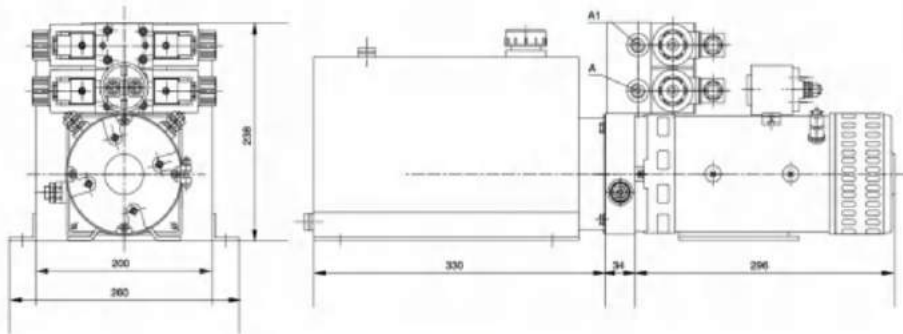
简介 General Description

此动力单元专为平板车液压爬梯所设计，通过电磁阀的换向来实现爬梯的升降和翻转。

This power unit is specially designed for the hydraulic climbing ladder of flatbed truck, which can realize the lifting and turning function of the ladder by the solenoid valve.

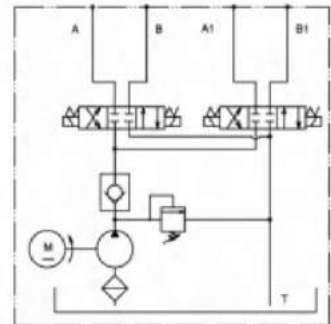


外形尺寸图 Outline Dimension



液压原理图061

Hydraulic circuit optional 061



型号规格说明 Model Specifications

Type 型号	Motor 电机	Pump Displacement 泵排量 (cc/r)	Tank Capacity 油箱容积 (L)	Pressure 压力 (MPa)	Mounting 安装方式	Oil Port 油口尺寸
HPU1-61BHBKBHCFLG	DC24V 4Kw 3100rpm	2.6	12	20	Horizontal 卧式	M14x1.5* (可定制 Or Customize)
HPU1-61BHBLBHCFFG		3.2	22	20		

注意事项 Special Notes

- 1、如需不同流量的泵、压力、电机功率等系统参数，请查看液动力单元型号说明。
- 2、此电机为间隙式工作制 S2=8-12MIN(一次启动持续工作时间)，不可以连续运转。
- 3、安装前必须保证油缸、油管、接头等液压元件清洁无任何杂质粘附。
- 4、液压油粘度应为 15-68CST，应清洁无杂质，推荐使用 HM46 号液压油。
- 5、首次启动运行系统后，应立即检查油箱中的油量是否充足。
- 6、系统使用第一个 100 小时后，应更换液压油，以后每 3000 小时更换一次液压油。

- 1、For different flow rate pump, pressure and motor power, please check the ordering guidance.
- 2、This motor is based on gap working system S2=8-12min(continuous working time), so it cannot run continuously.
- 3、Before installation, the cylinder, oil pipe, joint and other hydraulic components must be cleaned and free from any impurities.
- 4、The viscosity of hydraulic oil should be 15-68cst and should be clean and free of impurities.HM46 hydraulic oil is recommended.
- 5、Check that whether there is enough oil in the oil tank immediately after the first operating of the system.
- 6、The hydraulic oil should be replaced after the first 100 hours' use of the system, and change the oil every 3,000 hours after that.

液压爬梯动力单元 2

HYDRAULIC CLIMBING LADDER POWER UNIT 2



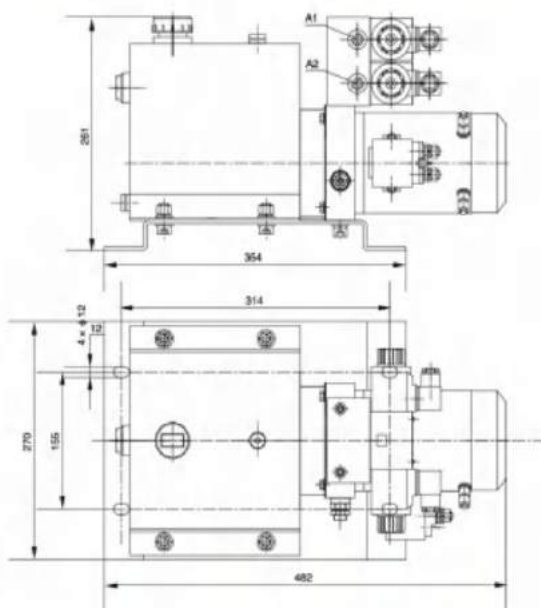
简介 General Description

此动力单元专为平板车液压爬梯所设计，通过电磁阀的换向来实现爬梯的升降和翻转。

This power unit is specially designed for the hydraulic climbing ladder of flatbed truck, which can realize the lifting and turning function of the ladder by the solenoid valve.

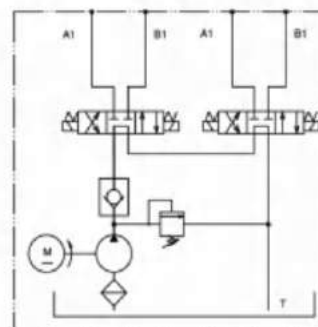


外形尺寸图 Outline Dimension



液压原理图055

Hydraulic circuit optional 055



型号规格说明 Model Specifications

Type 型号	Motor 电机	Pump Displacement 泵排量 (cc/r)	Tank Capacity 油箱容积 (L)	Pressure 压力 (MPa)	Mounting 安装方式	Oil Port 油口尺寸
HPU1-55BFAIBHBFJG	DC24V 2.2KW 2700RPM	2.1	8	20	Horizontal 卧式	M14x1.5" (可定制 Or Customize)
HPU1-55BFAIBHBFPG			20	20		

注意事项 Special Notes

- 1、如需不同流量的泵、压力、电机功率等系统参数，请查看液压动力单元型号说明。
- 2、此电机为间隙式工作制 S2=2-4MIN(一次启动持续工作时间)，不可以连续运转。
- 3、安装前必须保证油缸、油管、接头等液压元件清洁无任何杂质粘附。
- 4、液压油粘度应为 15-68CST，应清洁无杂质，推荐使用 HM46 号液压油。
- 5、首次启动运行系统后，应立即检查油箱中的油量是否充足。
- 6、系统使用第一个 100 小时后，应更换液压油，以后每 3000 小时更换一次液压油。

- 1、For different flow rate pump, pressure and motor power, please check the ordering guidance.
- 2、This motor is based on gap working system S2=2 - 4min(continuous working time), so it cannot run continuously.
- 3、Before installation, the cylinder, oil pipe, joint and other hydraulic components must be cleaned and free from any impurities.
- 4、The viscosity of hydraulic oil should be 15-68cst and should be clean and free of impurities.HM46 hydraulic oil is recommended.
- 5、Check that whether there is enough oil in the oil tank immediately after the first operating of the system.
- 6、The hydraulic oil should be replaced after the first 100 hours' use of the system, and change the oil every 3,000 hours after that.

简易停车设备用动力单元

POWER UNIT FOR COMPACT PARK EQUIPMENT



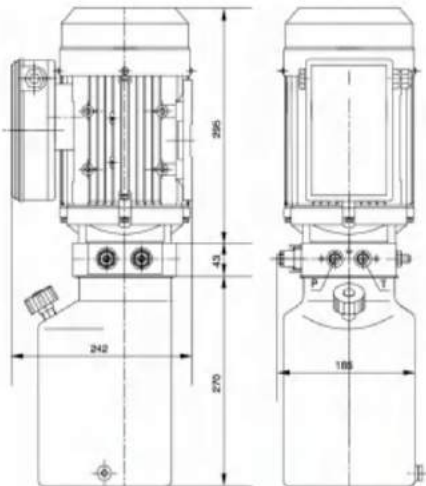
简介 General Description

此动力单元专为简易停车设备所设计，为其提供升降功能，可调压力补偿型节流阀控制下降，可调节下降速度，保持下降平稳。

This power unit is specially designed for simple parking equipment, which provides lifting function, the descending is controlled by adjustable pressure compensating throttle valve, adjusting descending speed and keep descending smoothly.

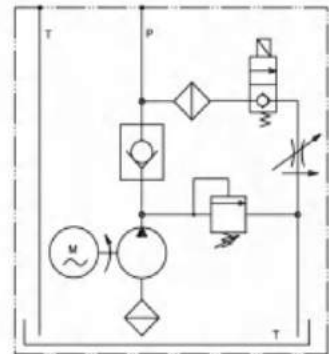


外形尺寸图 Outline Dimension



液压原理图043

Hydraulic circuit optional 043



型号规格说明 Model Specifications

Type 型号	Motor 电机	Pump Displacement 泵排量 (cc/r)	Tank Capacity 油箱容积 (L)	Pressure 压力 (MPa)	Mounting 安装方式	Oil Port 油口尺寸
HPU2-43HMDLBHCEGG	AC380V 1.5KW 1400RPM 50Hz	3.2	5	14	Vertical 立式	M14x1.5" (可定制 Or Customize)
HPU2-43GMDLBHCEGG	AC220V 1.5KW 1400RPM 50Hz					

注意事项 Special Notes

- 1、如需不同流量的泵、压力、电机功率等系统参数，请查看液压力单元型号说明。
- 2、如需手动应急装置，请在订货时说明。
- 3、此动力单元不可连续运转（1分钟 ON, 9分钟 OFF），可重复工作。
- 4、安装前必须保证油缸、油管、接头等液压元件清洁无任何杂质粘附。
- 5、液压油粘度应为 15-68CST，应清洁无杂质，推荐使用 HM46 号液压油。
- 6、本液压力单元适用于立式安装。
- 7、首次启动运行系统后，应立即检查油箱中的油量是否充足。
- 8、系统使用第一个 100 小时后，应更换液压油，以后每 3000 小时更换一次液压油。

- 1、For different flow rate pump, pressure and motor power, please check the ordering guidance.
- 2、If you need manual oil discharge device for emergency, please specify when ordering.
- 3、This power unit can not run continuously (1 min ON, 9 min OFF), it can work repeatedly.
- 4、Before installation, ensure that the hydraulic components such as the oil cylinder, oil pip and joints are clean and free from any impurities.
- 5、The viscosity of hydraulic oil should be 15-68cst and should be clean and free of impurities. HM46 hydraulic oil is recommended.
- 6、This hydraulic power unit is suitable for vertical installation.
- 7、Check that whether there is enough oil in the oil tank immediately after the first operating of the system.
- 8、The hydraulic oil should be replaced after the first 100 hours' use of the system, and change the oil every 3,000 hours after that.

轿运车动力单元

HYDRAULIC POWER PACK FOR CAR CARRIER



恩荣液压

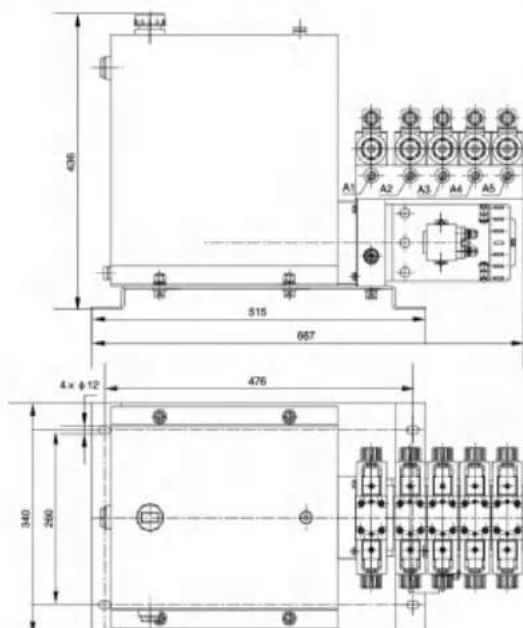
简介 General Description

此动力单元专为轿运车所设计，控制多组双作用油缸单独工作。通过电磁阀的换向来实现轿运车多层停车位的升降。

This power unit is specially designed for car carrier, it controls multiple double acting oil cylinders working separately. By direction changing of the solenoid valve to achieve the function of the car multi-storey parking space lifting.

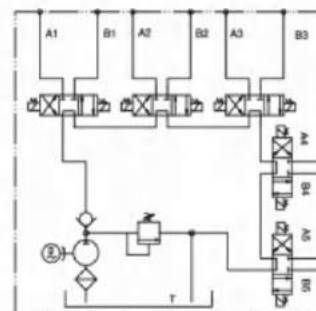


外形尺寸图 Outline Dimension



液压原理图103

Hydraulic circuit optional 103



型号规格说明 Model Specifications

Type 型号	Motor 电机	Pump Displacement 泵排量 (cc/r)	Tank Capacity 油箱容积 (L)	Pressure 压力 (MPa)	Mounting 安装方式	Oil Port 油口尺寸
HPU1-103BFAIBHBFSG	DC24V 2.2KW 2700RPM	2.1	35	20	Horizontal 卧式	M14x1.5" (可定制 Or Customize)
HPU1-103BGALBHBFSG	DC24V 3.0KW 2500RPM	3.2	35	20		

注意事项 Special Notes

- 1、如需不同流量的泵、压力、电机功率等系统参数，请查看液压动力单元型号说明。
- 2、此电机为间隙式工作制 S2=5-8MIN(一次启动持续工作时间)，不可以连续运转。
- 3、安装前必须保证油缸、油管、接头等液压元件清洁无任何杂质粘附。
- 4、液压油粘度应为 15-68CST，应清洁无杂质，推荐使用 HM46 号液压油。
- 5、首次启动运行系统后，应立即检查油箱中的油量是否充足。
- 6、系统使用第一个 100 小时后，应更换液压油，以后每 3000 小时更换一次液压油。

- 1、For different flow rate pump, pressure and motor power, please check the ordering guidance.
- 2、This motor is based on gap working system S2=5 ~ 8min(continuous working time), so it cannot run continuously.
- 3、Before installation, the cylinder, oil pipe, joint and other hydraulic components must be cleaned and free from any impurities.
- 4、The viscosity of hydraulic oil should be 15-68cst and should be clean and free of impurities. HM46 hydraulic oil is recommended.
- 5、Check that whether there is enough oil in the oil tank immediately after the first operating of the system.
- 6、The hydraulic oil should be replaced after the first 100 hours' use of the system, and change the oil every 3,000 hours after that.

双作用动力单元 1

DOUBLE ACTING POWER UNITS 1



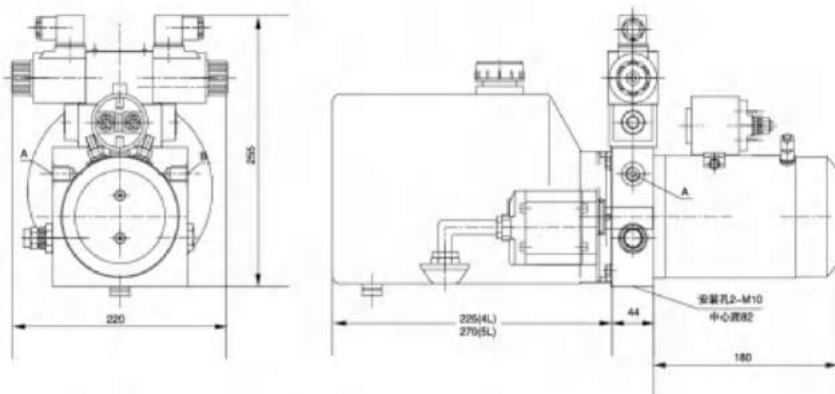
简介 General Description

此动力单元由高压齿轮泵、直流电机、多用集成块、各式液压阀、油箱等零部件有机结合为一体。性能稳定、结构紧凑，广泛应用于汽车、园林机械、机床、物流设备等。

This power unit consists of high pressure gear pump DC motor, multi-functional manifold, valves, tank, etc. It features stable performance and compact structure, and can be widely used in automotive, garden machineries, machine tools, logistics equipments, etc.

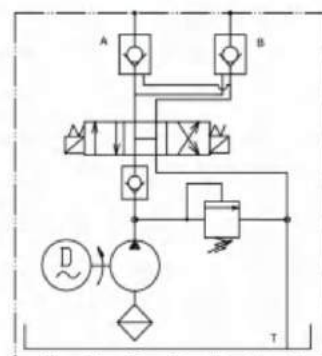


外形尺寸图 Outline Dimension



液压原理图025

Hydraulic circuit optional 025



型号规格说明 Model Specifications

Type 型号	Motor 电机	Pump Displacement 泵排量 (cc/r)	Tank Capacity 油箱容积 (L)	Pressure 压力 (MPa)	Mounting 安装方式	Oil Port 油口尺寸
HPU1-25ADAHAAFF(Y)G	DC12V 1.6Kw 2500rpm	1.6	4	20	Horizontal 卧式	M14x1.5" (可定制 OR CUSTOMIZE)
HPU1-25BFAKBHAFG(Y)G	DC24V 2.2Kw 2700rpm	2.6	5			
HPU1-25GODLBHAFF(Y)G	AC220V 2.2KW 1450RPM	3.2	4			
HPU1-25HOEIBHAFG(Y)G	AC380V 2.2KW 2850RPM	2.1	5			

注意事项 Special Notes

- 1、如需不同流量的泵、压力、电机功率等系统参数，请查看液压动力单元型号说明。
- 2、此动力单元为 S3 工作制，不可以连续运转，30 秒开，270 秒停。
- 3、安装前必须保证油缸、油管、接头等液压元件清洁无任何杂质粘附。
- 4、液压油粘度应为 15-68CST，应清洁无杂质，推荐使用 HM46 号液压油。
- 5、首次启动运行系统后，应立即检查油箱中的油量是否充足。
- 6、系统使用第一个 100 小时后，应更换液压油，以后每 3000 小时更换一次液压油。

- 1、For different flow rate pump, pressure and motor power, please check the ordering guidance.
- 2、The duty of this power unit is S3, i.e., 30 seconds on and 270 seconds off.
- 3、Before installation, the cylinder, oil pipe, joint and other hydraulic components must be cleaned and free from any impurities.
- 4、The viscosity of hydraulic oil should be 15-68cst and should be clean and free of impurities. HM46 hydraulic oil is recommended.
- 5、Check that whether there is enough oil in the oil tank immediately after the first operating of the system.
- 6、The hydraulic oil should be replaced after the first 100 hours' use of the system, and change the oil every 3,000 hours after that.

双作用动力单元 2

DOUBLE ACTING POWER UNITS 2



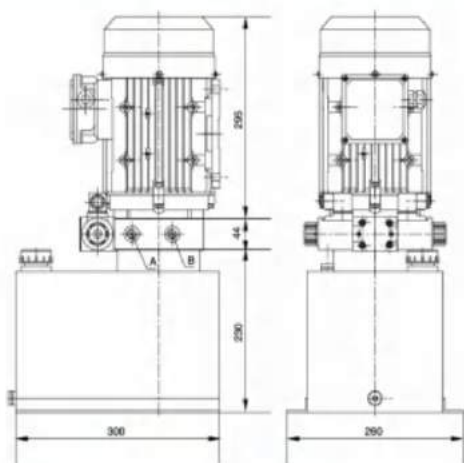
简介 General Description

此动力单元由高压齿轮泵、交流电机、多用集成块、各式液压阀、油箱等零部件有机结合为一体。是基本的中位卸荷、动力上升、动力下降油路，适合于对一组双作用缸的驱动和控制。

Consisting of high pressure gear pump, AC motor, multifunctional manifold, valves and reservoir, this power unit features a basic neutral open, power up, power down function, which is used to drive and control a group of double acting cylinders.

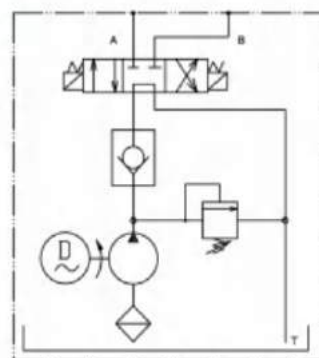


外形尺寸图 Outline Dimension



液压原理图022

Hydraulic circuit optional 022



型号规格说明 Model Specifications

Type 型号	Motor 电机	Pump Displacement 泵排量 (cc/r)	Tank Capacity 油箱容积 (L)	Pressure 压力 (MPa)	Mounting 安装方式	Oil Port 油口尺寸
HPU1-22ADAHAVDFJD	DC12V 1.6Kw 2500rpm	1.6	8	20	Horizontal 卧式	G3/8" (可定制 OR CUSTOMIZE)
HPU1-22BFAKBVDFLD	DC24V 2.2Kw 2700rpm	2.6	12			
HPU1-22GODLBVDFJD	AC220V 2.2KW 1450RPM	3.2	8			
HPU1-22HOEIBVDFLD	AC380V 2.2KW 2850RPM	2.1	12			

注意事项 Special Notes

- 1、如需不同流量的泵、压力、电机功率等系统参数，请查看液压力动力单元型号说明。
- 2、此动力单元为 S3 工作制，不可以连续运转，30 秒开，270 秒停。
- 3、安装前必须保证油缸、油管、接头等液压元件清洁无任何杂质粘附。
- 4、液压油粘度应为 15-68CST，应清洁无杂质，推荐使用 HM46 号液压油。
- 5、首次启动运行系统后，应立即检查油箱中的油量是否充足。
- 6、系统使用第一个 100 小时后，应更换液压油，以后每 3000 小时更换一次液压油。

- 1、For different flow rate pump, pressure and motor power, please check the ordering guidance.
- 2、The duty of this power unit is S3, i.e., 30 seconds on and 270 seconds off.
- 3、Before installation, the cylinder, oil pipe, joint and other hydraulic components must be cleaned and free from any impurities.
- 4、The viscosity of hydraulic oil should be 15-68cst and should be clean and free of impurities. HM46 hydraulic oil is recommended.
- 5、Check that whether there is enough oil in the oil tank immediately after the first operating of the system.
- 6、The hydraulic oil should be replaced after the first 100 hours' use of the system, and change the oil every 3,000 hours after that.

DC电机泵站 1

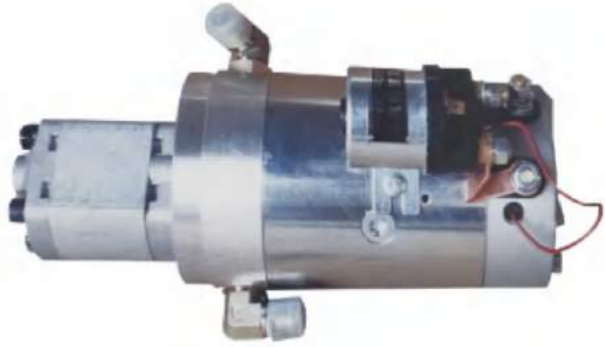
DC MOTOR PUMP GROUP1



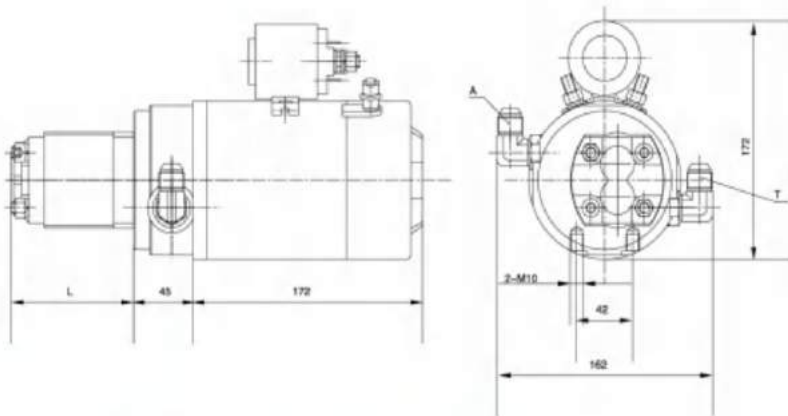
简介 General Description

此液压泵站由 CBK 齿轮油泵与直流电机组成，性能稳定，常用于复杂的液压系统供油。

Consisting of a heavy duty DC motor and the CBK gear pump, this pump-motor group is typically used as a power station of a complex hydraulic system.

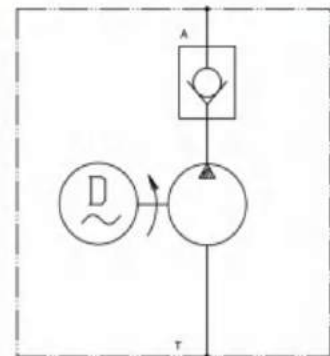


外形尺寸图 Outline Dimension



液压原理图095

Hydraulic circuit optional 095



型号规格说明 Model Specifications

Type 型号	Motor 电机	Pump Displacement 泵排量 (cc/r)	L	Mounting 安装方式	Oil Port 油口尺寸
HPU1-95ADAHHHA##K	DC12V 1.6KW 2500RPM	1.6	78	Horizontal 卧式	3/4"-16
HPU1-95AEAIHHA##K	DC12V 2.0KW 2500RPM	2.1	80		
HPU1-95BDAKHHA##K	DC24V 1.6KW 2700RPM	2.6	82		
HPU1-95BFALHHA##K	DC24V 2.2KW 2700RPM	3.2	84		

注意事项 Special Notes

- 1、如需不同流量的泵、压力、电机功率等系统参数，请查看液动力单元型号说明。
- 2、此电机为间隙式工作制 S2=2~4MIN(一次启动持续工作时间)，不可以连续运转。
- 3、安装前必须保证油缸、油管、接头等液压元件清洁无任何杂质粘附。
- 4、液压油粘度应为 15-68CST，应清洁无杂质，推荐使用 HM46 号液压油。
- 5、系统使用第一个 100 小时后，应更换液压油，以后每 3000 小时更换一次液压油。

- 1、For different flow rate pump, pressure and motor power, please check the ordering guidance.
- 2、This motor is based on gap working system S2=2 ~ 4min(continuous working time), so it cannot run continuously.
- 3、Before installation, the cylinder, oil pipe, joint and other hydraulic components must be cleaned and free from any impurities.
- 4、The viscosity of hydraulic oil should be 15-68cst and should be clean and free of impurities HM46 hydraulic oil is recommended.
- 5、The hydraulic oil should be replaced after the first 100 hours' use of the system, and change the oil every 3,000 hours after that.

DC电机泵站 2

DC MOTOR PUMP GROUP 2



简介 General Description

此液压泵站由 CBK 齿轮油泵与直流电机组成，性能稳定，常用于复杂的液压系统供油。

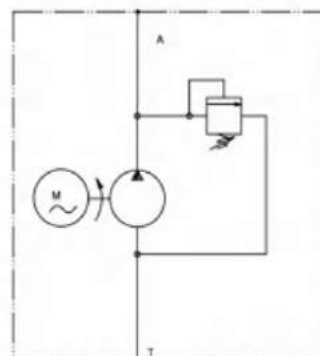
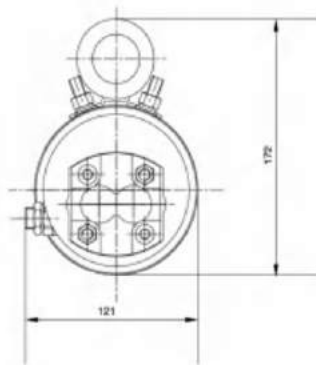
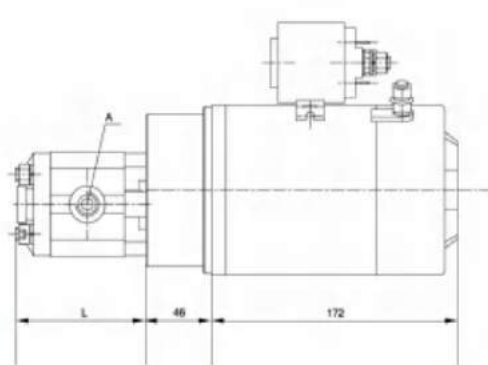
Consisting of a heavy duty DC motor and the CBK gear pump, this pump-motor group is typically used as a power station of a complex hydraulic system.



外形尺寸图 Outline Dimension

液压原理图096

Hydraulic circuit optional 096



型号规格说明 Model Specifications

Type 型号	Motor 电机	Pump Displacement 泵排量 (cc/r)	L	Pressure 压力 (MPa)	Mounting 安装方式	Oil Port 油口尺寸
HPU1-96ADAHHHCF#D	DC12V 1.6KW 2500RPM	1.6	78	20	Horizontal 卧式	G3/8" (可定制 OR CUSTOMIZE)
HPU1-96AEAIHHCF#D	DC12V 2.0KW 2500RPM	2.1	80	18		
HPU1-96BDAKHHCD#D	DC24V 1.6KW 2700RPM	2.6	82	12		
HPU1-96BFALHHCE#D	DC24V 2.2KW 2700RPM	3.2	84	16		

注意事项 Special Notes

- 1、如需不同流量的泵、压力、电机功率等系统参数，请查看液动力单元型号说明。
- 2、此电机为间隙式工作制 S2=2~4MIN(一次启动持续工作时间)，不可以连续运转。
- 3、安装前必须保证油缸、油管、接头等液压元件清洁无任何杂质粘附。
- 4、液压油粘度应为 15-68CST，应清洁无杂质，推荐使用 HM46 号液压油。
- 5、系统使用第一个 100 小时后，应更换液压油，以后每 3000 小时更换一次液压油。

- 1、For different flow rate pump, pressure and motor power, please check the ordering guidance.
- 2、This motor is based on gap working system S2=2 - 4min(continuous working time), so it cannot run continuously.
- 3、Before installation, the cylinder, oil pipe, joint and other hydraulic components must be cleaned and free from any impurities.
- 4、The viscosity of hydraulic oil should be 15-68cst and should be clean and free of impurities. HM46 hydraulic oil is recommended.
- 5、The hydraulic oil should be replaced after the first 100 hours' use of the system, and change the oil every 3,000 hours after that.

DC电机泵站 3

DC MOTOR PUMP GROUP 3



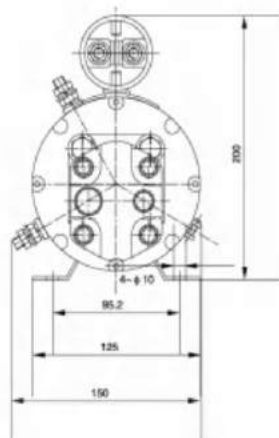
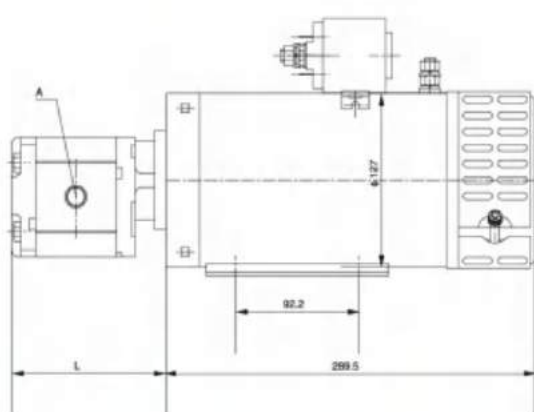
简介 General Description

此液压泵站由 CB1S 齿轮油泵与直流电机组成，性能稳定，常用于复杂的液压系统供油。

Consisting of a heavy duty DC motor and the CB1S gear pump, this pump-motor group is typically used as a power station of a complex hydraulic system.

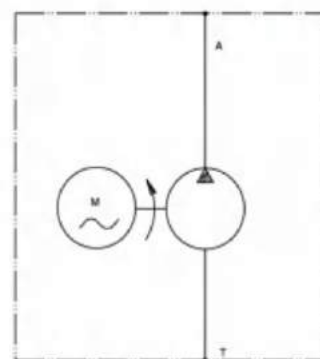


外形尺寸图 Outline Dimension



液压原理图062

Hydraulic circuit optional 062



型号规格说明 Model Specifications

Type 型号	Motor 电机	Pump Displacement 泵排量 (cc/r)	L	Pressure 压力 (MPa)	Mounting 安装方式	Oil Port 油口尺寸
HPU#-62BPBLHHCF#K(J)	DC24V 3KW 3100RPM	3.2	113.3	20	Horizontal 卧式	3/4"-16 9/16"-18 (可定制 OR CUSTOMIZE)
HPU#-62BPBNHHCE#K(J)		4	117.3	18		
HPU#-62BPBPHHCD#K(J)		6	123.3	10		
HPU#-62BPBTHHCC#K(J)		9	132.3	6.5		

注意事项 Special Notes

- 1、如需不同流量的泵、压力、电机功率等系统参数，请查看液压力单元型号说明。
- 2、此电机为间隙式工作制 S2=2~4MIN(一次启动持续工作时间)，不可以连续运转。
- 3、安装前必须保证油缸、油管、接头等液压元件清洁无任何杂质粘附。
- 4、液压油粘度应为 15-68CST，应清洁无杂质，推荐使用 HM46 号液压油。
- 5、系统使用第一个 100 小时后，应更换液压油，以后每 3000 小时更换一次液压油。

- 1、For different flow rate pump, pressure and motor power, please check the ordering guidance.
- 2、This motor is based on gap working system S2=2 ~ 4min(continuous working time), so it cannot run continuously.
- 3、Before installation, the cylinder, oil pipe, joint and other hydraulic components must be cleaned and free from any impurities.
- 4、The viscosity of hydraulic oil should be 15-68cst and should be clean and free of impurities.HM46 hydraulic oil is recommended.
- 5、The hydraulic oil should be replaced after the first 100 hours' use of the system, and change the oil every 3,000 hours after that.

CE
ISO9001



常州市恩荣液压科技有限公司

CHANGZHOU ROHN HYDRAULIC SCI-TECH CO.,LTD

地址：江苏省常州市武进区雪堰镇旷达路13号

Address: No.13 Kuangda Road, Xueyan Town,
Wujin District, Changzhou, Jiangsu Province, China

电话 (Tel) : 0086-519-86057606

传真 (Fax) : 0086-519-86056606

手机 (Mobile) : +86-13806122516

邮箱 (EMAIL) : 35113991@qq.com

网址 (Website) : <https://czenrong.en.alibaba.com/>

<http://www.czeryy.com/>