




恩荣液压

DC MOTOR CATALOGUE

A vibrant sunset sky with a rainbow, flying doves, and a suburban neighborhood. The sun is low on the horizon, casting a warm glow over the scene. A large, multi-colored rainbow arches across the sky. Several white doves are flying in the sky. In the foreground, a green lawn leads to a row of modern, multi-story houses with large windows and balconies. A large, white, stylized arrow graphic points to the right, partially overlapping the lawn and the houses.

科技让生活更美好！

TECHNOLOGY IS MAKING LIFE BETTER

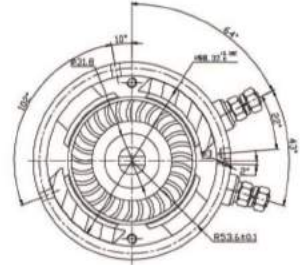
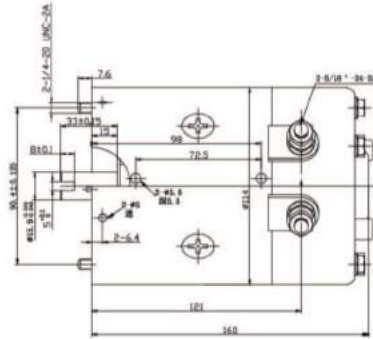


EXCELLENT
卓越品质
QUALITY



56363

外形尺寸图 Outline Dimension

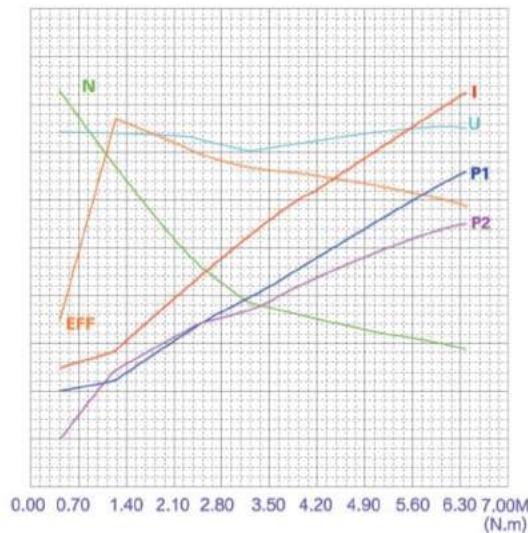


型号/Type	电压/Voltage	功率/Power	转速/Speed	转向/Rotation	外径/O.D
56363	12V	1.6KW	2350RPM	CW/顺时针	114mm

电机负载特性曲线 Outline Dimension

客户名称/Customer	额定电压/Voltage	12(V)
电机型号/NO	额定功率/Power Rated	1.6KW
电机编号/Number	额定转速/Speed Rated	2350R/MIN
测试人员/Tester	测试日期/Test Date	2016-04-28

U(V)	I(A)	n(rpm)
16.00	265.0	8178
14.40	238.5	7360.2
12.80	212.0	6542.4
11.20	185.5	5724.6
9.60	159.0	4906.8
8.00	132.5	4089
6.40	106.0	3271.2
4.80	79.5	2453.4
3.20	53.0	1635.6
1.60	26.5	817.8
0.00	0.0	0



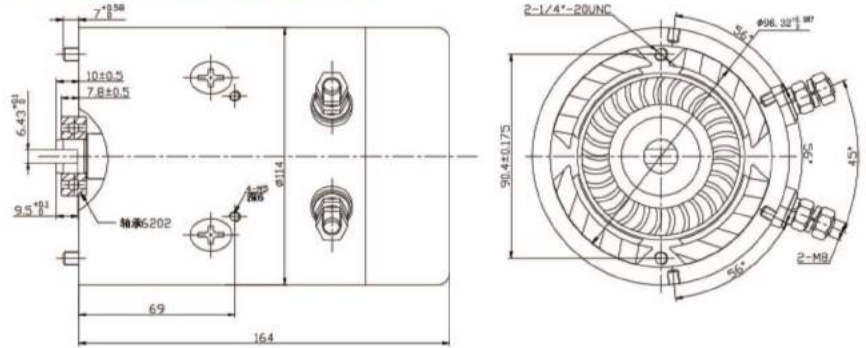
P1(W)	P2(W)	EFF(%)
4013	2855	100.0
3621	2570	90.0
3210	2284	80.0
2809	1999	70.0
2408	1713	60.0
2007	1428	50.0
1605	1142	40.0
1204	857	30.0
803	571	20.0
401	286	10.0
0	0	0.0

特性参数 Parameter

空载点 (Unload) :	最大转矩点 (Max_Torque)	最大效率点 (Max_Efficiency)	最大输出功率点 (Max_Pout)
转速 (n) = 6815 (rpm)	转矩 (M) = 6.390 (N.m)	效率 (Eff) = 77.63 (%)	效率 (Eff) = 59.22 (%)
电流 (I) = 66.300 (A)	电流 (I) = 219.910 (A)	转速 (n) = 5472 (rpm)	转速 (n) = 2356 (rpm)
	转速 (n) = 2356 (rpm)	转矩 (M) = 1.220 (N.m)	转矩 (M) = 6.390 (N.m)
	效率 (Eff) = 59.22 (%)	电流 (I) = 75.360 (A)	电流 (I) = 219.910 (A)
	输出功率 (P2) = 1575.20 (W)	输出功率 (P2) = 699.00 (W)	输出功率 (P2) = 1575.20 (W)

MD12160 MD24160

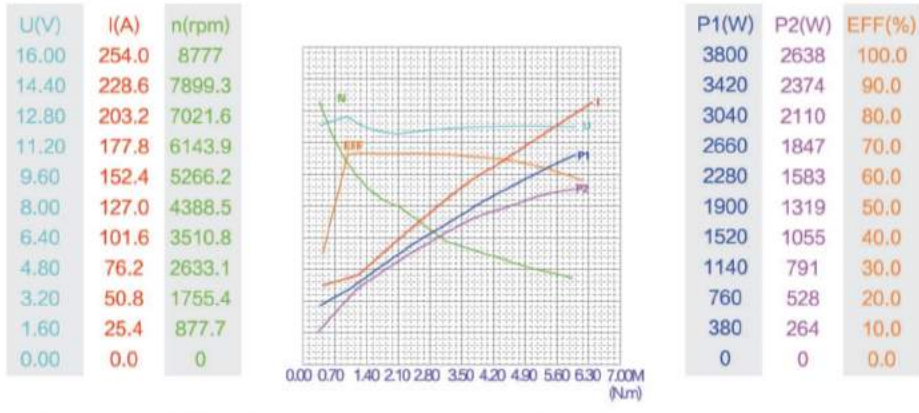
外形尺寸图 Outline Dimension



型号/Type	电压/Voltage	功率/Power	转速/Speed	转向/Rotation	外径/O.D
MD12160	12V	1.6KW	2500RPM	CW/顺时针	114mm
MD24160	24V	2.0KW	2700RPM	CW/顺时针	114mm

电机负载特性曲线 Motor Load Characteristic Curve

客户名称/Customer	MD12160	额定电压/Voltage	12(V)
电机型号/Type	MD12160	额定功率/Power Rated	1.6KW
电机编号/Number	1	额定转速/Speed Rated	2350R/MIN
测试人员/Tester	6	测试日期/Test Date	2016-06-06



特性参数 Parameter

起始点 (Unload) :

转速 (n)	=	7314 (rpm)
电流 (A)	=	57.920 (A)

最大转矩点 (Max_Torque)

转矩 (M)	=	6.020 (N.m)
电流 (I)	=	211.930 (A)
转速 (n)	=	2325 (rpm)
效率 (Eff)	=	57.86 (%)
输出功率 (P2)	=	1465.60 (W)

最大效率点 (Max_Efficiency)

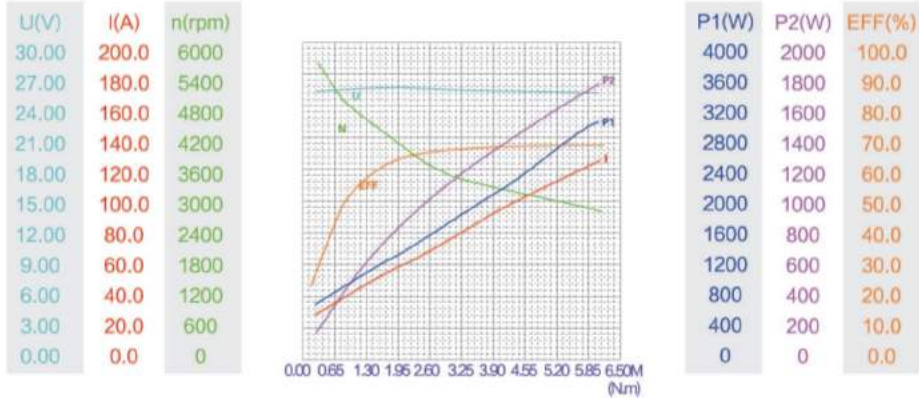
效率 (Eff)	=	67.04 (%)
转速 (n)	=	5947 (rpm)
转矩 (M)	=	1.010 (N.m)
电流 (I)	=	74.140 (A)
输出功率 (P2)	=	628.90 (W)

最大输出功率点 (Max_Pout)

效率 (Eff)	=	57.86 (%)
转速 (n)	=	2325 (rpm)
转矩 (M)	=	6.020 (N.m)
电流 (I)	=	211.930 (A)
输出功率 (P2)	=	1465.60 (W)

电机负载特性曲线 Motor Load Characteristic Curve

客户名称/Customer	MD24160	额定电压/Voltage	24(V)
电机型号/NO	MD24160	额定功率/Power Rated	2.2KW
电机编号/Number	10	额定转速/Speed Rated	2700R/MIN
测试人员/Tester	6	测试日期/Test Date	2016-03-24



空载点 (Unload) :

转速 (n)	=	5570 (rpm)
电流 (A)	=	28.410 (A)

最大转矩点 (Max_Torque)

转矩 (M)	=	6.060 (N.m)
电流 (I)	=	109.360 (A)
转速 (n)	=	2753 (rpm)
效率 (Eff)	=	67.12 (%)
输出功率 (P2)	=	1747.20 (W)

最大效率点 (Max_Efficiency)

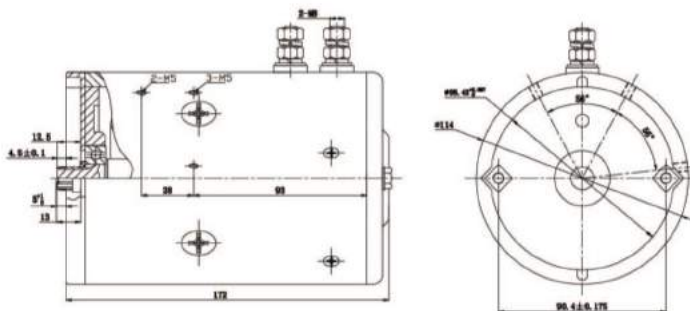
效率 (Eff)	=	67.25 (%)
转速 (n)	=	2914 (rpm)
转矩 (M)	=	5.160 (N.m)
电流 (I)	=	98.260 (A)
输出功率 (P2)	=	1575.70 (W)

最大输出功率点 (Max_Pout)

效率 (Eff)	=	67.12 (%)
转速 (n)	=	2753 (rpm)
转矩 (M)	=	6.060 (N.m)
电流 (I)	=	109.360 (A)
输出功率 (P2)	=	1747.20 (W)

ZD193

外形尺寸图 Outline Dimension

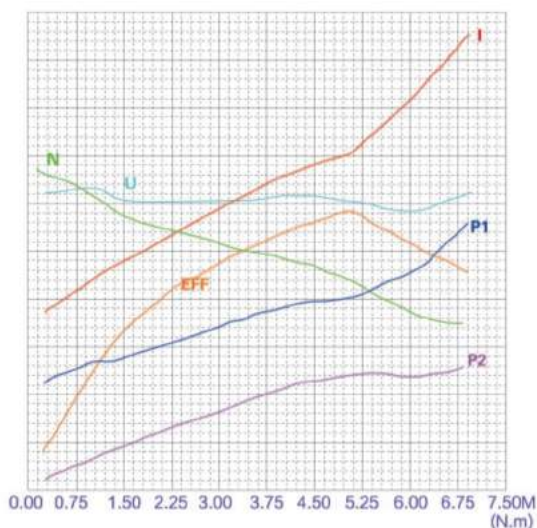


型号/Type	电压/Voltage	功率/Power	转速/Speed	转向/Rotation	外径/O.D
ZD193	12V	1.6KW	2600RPM	CW/顺时针	114mm

电机负载特性曲线 Outline Dimension

客户名称/Customer		额定电压/Voltage	12(V)
电机型号/NO	ZD193	额定功率/Power Rated	1.6KW
电机编号/Number	193	额定转速/Speed Rated	2600R/MIN
测试人员/Tester	6	测试日期/Test Date	2015-02-08

U(V)	I(A)	n(rpm)
20.00	290.0	6061
18.00	261.0	5454.9
16.00	232.0	4848.8
14.00	203.0	4242.7
12.00	174.0	3636.6
10.00	145.0	3030.5
8.00	116.0	2424.4
6.00	87.0	1818.3
4.00	58.0	1212.2
2.00	29.0	606.1
0.00	0.0	0



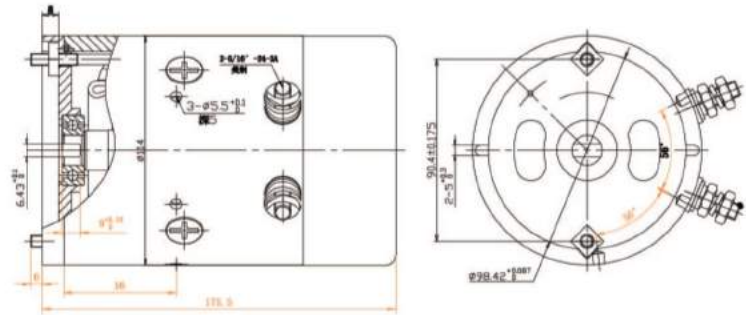
P1(W)	P2(W)	EFF(%)
6000	5801	100.0
5400	5221	90.0
4800	4641	80.0
4200	4061	70.0
3600	3481	60.0
3000	2901	50.0
2400	2320	40.0
1800	1740	30.0
1200	1160	20.0
600	580	10.0
0	0	0.0

特性参数 Parameter

空载点 (Unload) :	最大转矩点 (Max_Torque)	最大效率点 (Max_Efficiency)	最大输出功率点 (Max_Pout)
转速 (n) = 3954 (rpm)	转矩 (M) = 6.860 (N.m)	效率 (Eff) = 57.66 (%)	效率 (Eff) = 44.72 (%)
电流 (I) = 106.520 (A)	电流 (I) = 274.810 (A)	转速 (n) = 2642 (rpm)	转速 (n) = 2070 (rpm)
	转速 (n) = 2070 (rpm)	转矩 (M) = 4.970 (N.m)	转矩 (M) = 6.860 (N.m)
	效率 (Eff) = 44.72 (%)	电流 (I) = 201.230 (A)	电流 (I) = 274.810 (A)
	输出功率 (P2) = 1487.30 (W)	输出功率 (P2) = 1374.40 (W)	输出功率 (P2) = 1487.30 (W)

W5692

外形尺寸图 Outline Dimension

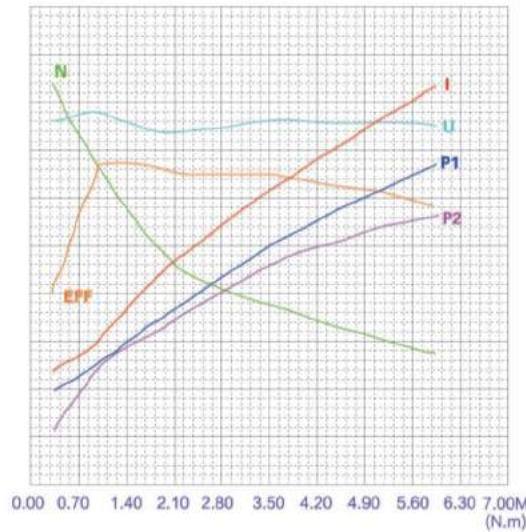


型号/Type	电压/Voltage	功率/Power	转速/Speed	转向/Rotation	外径/O.D
W5692	12V	1.6KW	2450RPM	cw/顺时针	114mm

电机负载特性曲线 Outline Dimension

客户名称/Customer	额定电压/Voltage	12(V)
电机型号/NO	额定功率/Power Rated	1.6KW
电机编号/Number	额定转速/Speed Rated	2350R/MIN
测试人员/Tester	测试日期/Test Date	2016-06-06

U(V)	I(A)	n(rpm)
16.00	254.0	8777
14.40	228.6	7899.3
12.28	203.2	7021.6
11.20	177.8	6143.9
9.60	152.4	5266.2
8.00	127.0	4388.5
6.40	101.6	3510.8
4.80	76.2	2633.1
3.20	50.8	1755.4
1.60	25.4	877.7
0.00	0.0	0



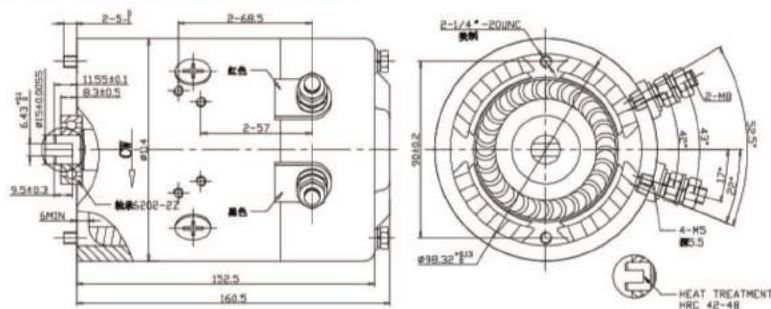
P1(W)	P2(W)	EFF(%)
3800	2638	100.0
3420	2374	90.0
3040	2110	80.0
2660	1847	70.0
2280	1583	60.0
1900	1319	50.0
1520	1055	40.0
1140	791	30.0
760	528	20.0
380	264	10.0
0	0	0.0

特性参数 Parameter

空载点 (Unload) :	最大转矩点 (Max_Torque)	最大效率点 (Max_Efficiency)	最大输出功率点 (Max_Pout)
转速 (n) = 7314 (rpm)	转矩 (M) = 6.020 (N.m)	效率 (Eff) = 67.04 (%)	效率 (Eff) = 57.86 (%)
电流 (I) = 57.920 (A)	电流 (I) = 211.930 (A)	转速 (n) = 5947 (rpm)	转速 (n) = 2325 (rpm)
	转速 (n) = 2325 (rpm)	转矩 (M) = 1.010 (N.m)	转矩 (M) = 6.020 (N.m)
	效率 (Eff) = 57.86 (%)	电流 (I) = 74.140 (A)	电流 (I) = 211.930 (A)
	输出功率 (P2) = 1465.60 (W)	输出功率 (P2) = 628.90 (W)	输出功率 (P2) = 1465.60 (W)

N1612 N2024

外形尺寸图 Outline Dimension

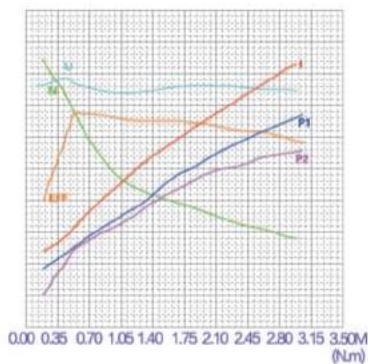


型号/Type	电压/Voltage	功率/Power	转速/Speed	转向/Rotation	外径/O.D
N1612	12V	1.6KW	2350RPM	CW/顺时针	114mm
N2024	24V	2.2KW	2700RPM	CW/顺时针	114mm

电机负载特性曲线 Motor Load Characteristic Curve

客户名称/Customer	电机型号/NO	电机编号/Number	测试人员/Tester	额定电压/Voltage	额定功率/Power Rated	额定转速/Speed Rated	测试日期/Test Date
	N1612	1	6	12(V)	1.6KW	2350R/MIN	2016-06-06

U(V)	I(A)	n(rpm)
34.00	170.0	7417
30.60	153.0	6675.3
27.20	136.0	5933.6
23.80	119.0	5191.9
20.40	102.0	4450.2
17.00	85.0	3708.5
13.60	68.0	2966.8
10.20	51.0	2225.1
6.80	34.0	1483.4
3.40	17.0	741.7
0.00	0.0	0



P1(W)	P2(W)	EFF(%)
3800	2638	100.0
3420	2374	90.0
3040	2110	80.0
2660	1847	70.0
2280	1583	60.0
1900	1319	50.0
1520	1055	40.0
1140	791	30.0
760	528	20.0
380	264	10.0
0	0	0.0

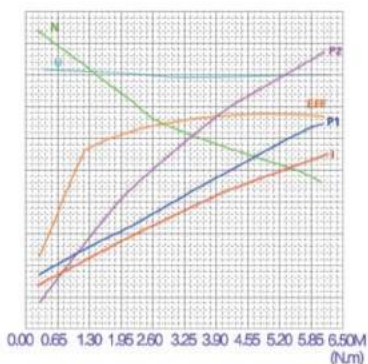
特性参数 Parameter

起始点 (Unload) :	
转速 (n)	= 7314 (rpm)
电流 (I)	= 57.920 (A)
最大扭矩点 (Max_Torque)	
转矩 (M)	= 6.020 (N.m)
电流 (I)	= 211.930 (A)
转速 (n)	= 2325 (rpm)
效率 (Eff)	= 57.86 (%)
输出功率 (P2)	= 1465.60 (W)
最大效率点 (Max_Efficiency)	
效率 (Eff)	= 67.04 (%)
转速 (n)	= 5947 (rpm)
转矩 (M)	= 1.010 (N.m)
电流 (I)	= 74.140 (A)
输出功率 (P2)	= 628.90 (W)
最大输出功率点 (Max_Pout)	
效率 (Eff)	= 57.86 (%)
转速 (n)	= 2325 (rpm)
转矩 (M)	= 6.020 (N.m)
电流 (I)	= 211.930 (A)
输出功率 (P2)	= 1465.60 (W)

电机负载特性曲线 Motor Load Characteristic Curve

客户名称/Customer	电机型号/NO	电机编号/Number	测试人员/Tester	额定电压/Voltage	额定功率/Power Rated	额定转速/Speed Rated	测试日期/Test Date
	N2024	10	6	24(V)	2.2KW	2700R/MIN	2016-03-24

U(V)	I(A)	n(rpm)
30.00	200.0	6000
27.00	180.0	5400
24.00	160.0	4800
21.00	140.0	4200
18.00	120.0	3600
15.00	100.0	3000
12.00	80.0	2400
9.00	60.0	1800
6.00	40.0	1200
3.00	20.0	600
0.00	0.0	0

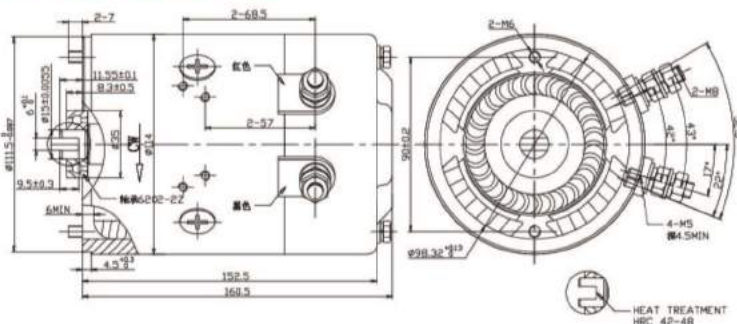


P1(W)	P2(W)	EFF(%)
4000	2000	100.0
3600	1800	90.0
3200	1600	80.0
2800	1400	70.0
2400	1200	60.0
2000	1000	50.0
1600	800	40.0
1200	600	30.0
800	400	20.0
400	200	10.0
0	0	0.0

空载点 (Unload) :	
转速 (n)	= 5570 (rpm)
电流 (A)	= 28.410 (A)
最大扭矩点 (Max_Torque)	
转矩 (M)	= 6.060 (N.m)
电流 (I)	= 109.360 (A)
转速 (n)	= 2753 (rpm)
效率 (Eff)	= 67.12 (%)
输出功率 (P2)	= 1747.20 (W)
最大效率点 (Max_Efficiency)	
效率 (Eff)	= 67.25 (%)
转速 (n)	= 2914 (rpm)
转矩 (M)	= 5.160 (N.m)
电流 (I)	= 98.260 (A)
输出功率 (P2)	= 1575.70 (W)
最大输出功率点 (Max_Pout)	
效率 (Eff)	= 67.12 (%)
转速 (n)	= 2753 (rpm)
转矩 (M)	= 6.060 (N.m)
电流 (I)	= 109.360 (A)
输出功率 (P2)	= 1747.20 (W)

N1612C N2024C

外形尺寸图 Outline Dimension

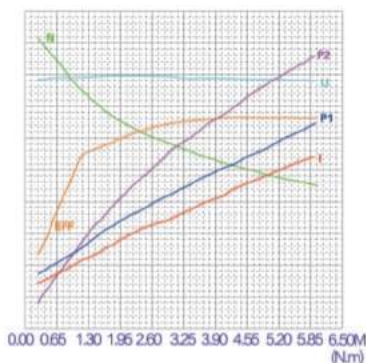


型号/Type	电压/Voltage	功率/Power	转速/Speed	转向/Rotation	外径/O.D
N1612C	12V	1.6KW	2350RPM	CW/顺时针	114mm
N2024C	24V	2.2KW	2700RPM	CW/顺时针	114mm

电机负载特性曲线 Motor Load Characteristic Curve

客户名称/Customer	电机型号/Type	电机编号/Number	测试人员/Tester	额定电压/Voltage	额定功率/Power Rated	额定转速/Speed Rated	测试日期/Test Date
	N2024C	10	6	24(V)	2.2KW	2700R/MIN	2016-03-24

U(V)	I(A)	n(rpm)
30.00	200.0	6000
27.00	180.0	5400
24.00	160.0	4800
21.00	140.0	4200
18.00	120.0	3600
15.00	100.0	3000
12.00	80.0	2400
9.00	60.0	1800
6.00	40.0	1200
3.00	20.0	600
0.00	0.0	0



P1(W)	P2(W)	EFF(%)
4000	2000	100.0
3600	1800	90.0
3200	1600	80.0
2800	1400	70.0
2400	1200	60.0
2000	1000	50.0
1600	800	40.0
1200	600	30.0
800	400	20.0
400	200	10.0
0	0	0.0

特性参数 Parameter

空载点 (Unload) :

转速 (n)	=	5570 (rpm)
电流 (A)	=	28.410 (A)

最大转矩点 (Max_Torque)

转矩 (M)	=	6.060 (N.m)
电流 (I)	=	109.360 (A)
转速 (n)	=	2753 (rpm)
效率 (Eff)	=	67.12 (%)
输出功率 (P2)	=	1747.20 (W)

最大效率点 (Max_Efficiency)

效率 (Eff)	=	67.25 (%)
转速 (n)	=	2914 (rpm)
转矩 (M)	=	5.160 (N.m)
电流 (I)	=	98.260 (A)
输出功率 (P2)	=	1575.70 (W)

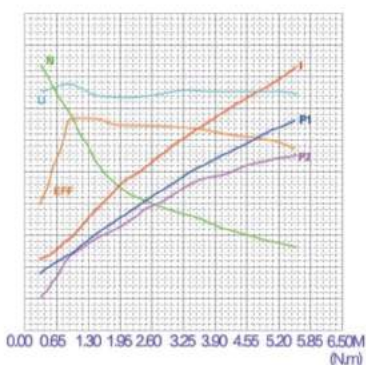
最大输出功率点 (Max_Pout)

效率 (Eff)	=	67.12 (%)
转速 (n)	=	2753 (rpm)
转矩 (M)	=	6.060 (N.m)
电流 (I)	=	109.360 (A)
输出功率 (P2)	=	1747.20 (W)

电机负载特性曲线 Motor Load Characteristic Curve

客户名称/Customer	电机型号/NO	电机编号/Number	测试人员/Tester	额定电压/Voltage	额定功率/Power Rated	额定转速/Speed Rated	测试日期/Test Date
	N1612C	1	6	12(V)	1.6KW	2350R/MIN	2016-06-06

U(V)	I(A)	n(rpm)
30.00	200.0	6000
27.00	180.0	5400
24.00	160.0	4800
21.00	140.0	4200
18.00	120.0	3600
15.00	100.0	3000
12.00	80.0	2400
9.00	60.0	1800
6.00	40.0	1200
3.00	20.0	600
0.00	0.0	0



P1(W)	P2(W)	EFF(%)
3800	2638	100.0
3420	2374	90.0
3040	2110	80.0
2660	1847	70.0
2280	1583	60.0
1900	1319	50.0
1520	1055	40.0
1140	791	30.0
760	528	20.0
380	264	10.0
0	0	0.0

空载点 (Unload) :

转速 (n)	=	7314 (rpm)
电流 (A)	=	57.920 (A)

最大转矩点 (Max_Torque)

转矩 (M)	=	6.060 (N.m)
电流 (I)	=	211.930 (A)
转速 (n)	=	2325 (rpm)
效率 (Eff)	=	57.86 (%)
输出功率 (P2)	=	1465.60 (W)

最大效率点 (Max_Efficiency)

效率 (Eff)	=	67.04 (%)
转速 (n)	=	5947 (rpm)
转矩 (M)	=	1.010 (N.m)
电流 (I)	=	74.140 (A)
输出功率 (P2)	=	628.90 (W)

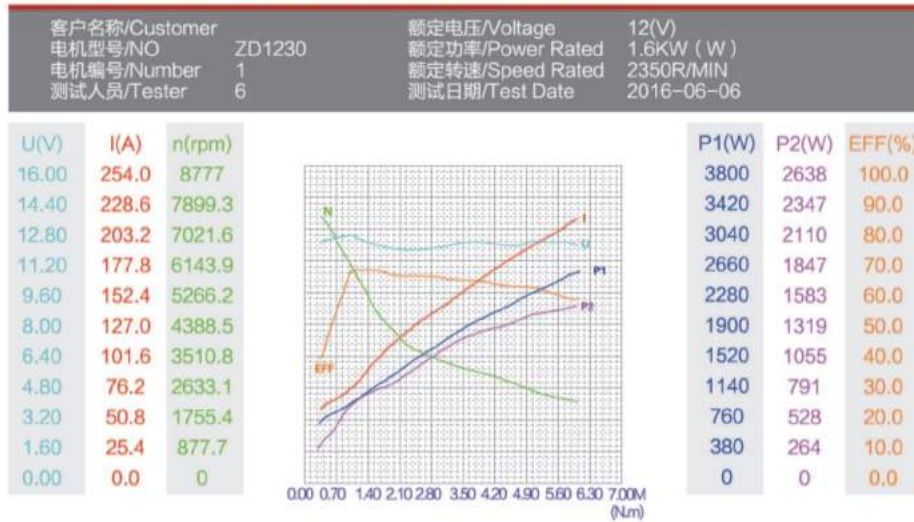
最大输出功率点 (Max_Pout)

效率 (Eff)	=	57.86 (%)
转速 (n)	=	2325 (rpm)
转矩 (M)	=	6.020 (N.m)
电流 (I)	=	211.930 (A)
输出功率 (P2)	=	1465.60 (W)

ZD1230 ZD2420 ZD6202 ZD7202



电机负载特性曲线 Motor Load Characteristic Curve



特性参数 Parameter

空载点 (Unload) :

转速 (n)	=	7314 (rpm)
电流 (I)	=	57.920 (A)

最大转矩点 (Max_Torque)

转矩 (M)	=	6.020 (N.m)
电流 (I)	=	211.930 (A)
转速 (n)	=	2325 (rpm)
效率 (Eff)	=	57.86 (%)
输出功率 (P2)	=	1465.60 (W)

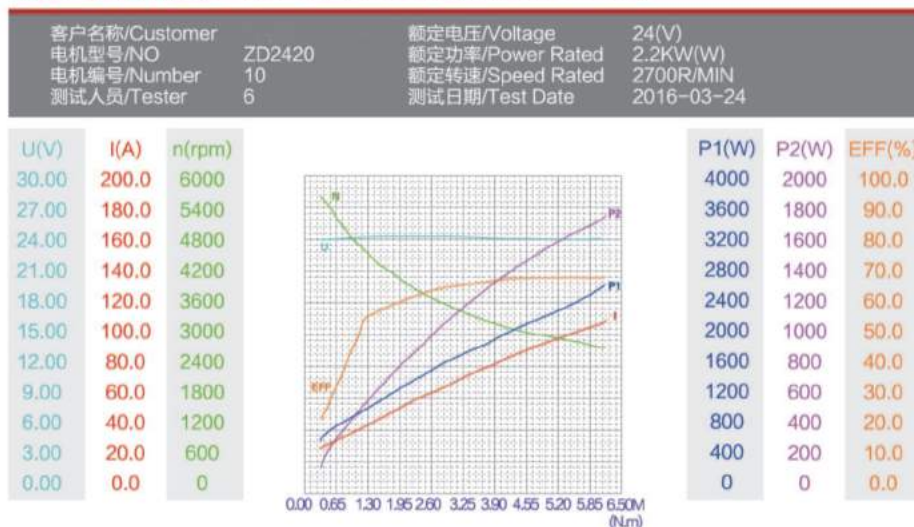
最大效率点 (Max_Efficiency)

效率 (Eff)	=	67.04 (%)
转速 (n)	=	5947 (rpm)
转矩 (M)	=	1.010 (N.m)
电流 (I)	=	74.140 (A)
输出功率 (P2)	=	628.90 (W)

最大输出功率点 (Max_Pout)

效率 (Eff)	=	57.86 (%)
转速 (n)	=	2325 (rpm)
转矩 (M)	=	6.020 (N.m)
电流 (I)	=	211.930 (A)
输出功率 (P2)	=	1465.60 (W)

电机负载特性曲线 Motor Load Characteristic Curve



空载点 (Unload) :

转速 (n)	=	5570 (rpm)
电流 (A)	=	28.410 (A)

最大转矩点 (Max_Torque)

转矩 (M)	=	6.060 (N.m)
电流 (I)	=	109.360 (A)
转速 (n)	=	2753 (rpm)
效率 (Eff)	=	67.12 (%)
输出功率 (P2)	=	1747.20 (W)

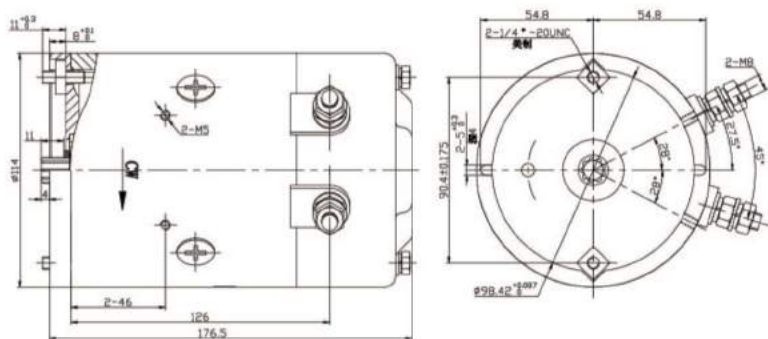
最大效率点 (Max_Efficiency)

效率 (Eff)	=	67.25 (%)
转速 (n)	=	2914 (rpm)
转矩 (M)	=	5.160 (N.m)
电流 (I)	=	98.260 (A)
输出功率 (P2)	=	1575.70 (W)

最大输出功率点 (Max_Pout)

效率 (Eff)	=	67.12 (%)
转速 (n)	=	2753 (rpm)
转矩 (M)	=	6.060 (N.m)
电流 (I)	=	109.360 (A)
输出功率 (P2)	=	1747.20 (W)

外形尺寸图 Outline Dimension

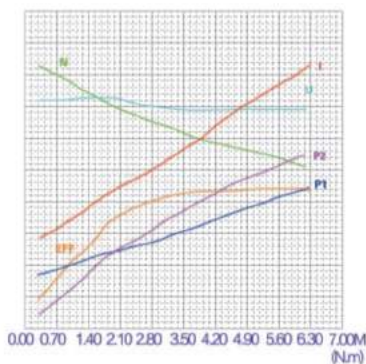


型号/Type	电压/Voltage	功率/Power	转速/Speed	转向/Rotation	外径/O.D
ZD1230	12V	1.6KW	2350RPM	CW/顺时针	114mm
ZD2420	24V	2.2KW	2700RPM	CW/顺时针	114mm
ZD6202	60V	2.0KW	2600RPM	CW/顺时针	114mm
ZD7202	72V	2.0KW	2600RPM	CW/顺时针	114mm

电机负载特性曲线 Motor Load Characteristic Curve

客户名称/Customer		额定电压/Voltage	60(V)
电机型号/Type	ZD6202	额定功率/Power Rated	2.0KW
电机编号/Number	6	额定转速/Speed Rated	2600R/MI
测试人员/Tester	6	测试日期/Test Date	2015-09-28

U(V)	I(A)	n(rpm)
85.00	27.0	4048
76.50	24.3	3643.2
68.00	21.6	3238.4
59.50	18.9	2833.6
51.00	16.2	2428.8
42.50	13.5	2024
34.00	10.8	1619.2
25.50	8.1	1214.4
17.00	5.4	809.6
8.50	2.7	404.8
0.00	0.0	0



P1(W)	P2(W)	EFF(%)
3000	1073	100.0
2700	966	90.0
2400	858	80.0
2100	751	70.0
1800	644	60.0
1500	537	50.0
1200	429	40.0
900	322	30.0
600	215	20.0
300	107	10.0
0	0	0.0

特性参数 Parameter

起始点 (Unload) :

转速 (n)	=	3373 (rpm)
电流 (A)	=	7.947 (A)

最大转矩点 (Max_Torque)

转矩 (M)	=	2.700 (N.m)
电流 (I)	=	22.620 (A)
转速 (n)	=	2098 (rpm)
效率 (Eff)	=	43.66 (%)
输出功率 (P2)	=	592.60 (W)

最大效率点 (Max_Efficiency)

效率 (Eff)	=	44.89 (%)
转速 (n)	=	2221 (rpm)
转矩 (M)	=	2.340 (N.m)
电流 (I)	=	20.340 (A)
输出功率 (P2)	=	545.10 (W)

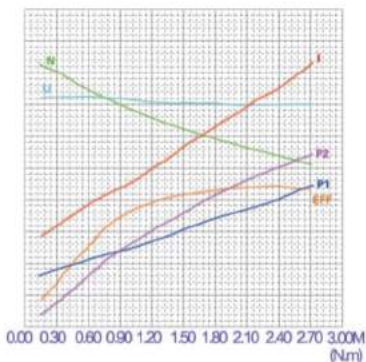
最大输出功率点 (Max_Pout)

效率 (Eff)	=	43.66 (%)
转速 (n)	=	2098 (rpm)
转矩 (M)	=	2.700 (N.m)
电流 (I)	=	22.620 (A)
输出功率 (P2)	=	592.60 (W)

电机负载特性曲线 Motor Load Characteristic Curve

客户名称/Customer		额定电压/Voltage	60(V)
电机型号/NO	ZD7202	额定功率/Power Rated	2.0KW
电机编号/Number	6	额定转速/Speed Rated	2600R/MIN
测试人员/Tester	6	测试日期/Test Date	2015-09-28

U(V)	I(A)	n(rpm)
85.00	27.0	4048
76.50	24.3	3643.2
68.00	21.6	3238.4
59.50	18.9	2833.6
51.00	16.2	2428.8
42.50	13.5	2024
34.00	10.8	1619.2
25.50	8.1	1214.4
17.00	5.4	809.6
8.50	2.7	404.8
0.00	0.0	0



P1(W)	P2(W)	EFF(%)
3000	1073	100.0
2700	966	90.0
2400	858	80.0
2100	751	70.0
1800	644	60.0
1500	537	50.0
1200	429	40.0
900	322	30.0
600	215	20.0
300	107	10.0
0	0	0.0

空载点 (Unload) :

转速 (n)	=	3373 (rpm)
电流 (A)	=	7.947 (A)

最大转矩点 (Max_Torque)

转矩 (M)	=	2.700 (N.m)
电流 (I)	=	22.620 (A)
转速 (n)	=	2098 (rpm)
效率 (Eff)	=	43.66 (%)
输出功率 (P2)	=	592.60 (W)

最大效率点 (Max_Efficiency)

效率 (Eff)	=	44.89 (%)
转速 (n)	=	2221 (rpm)
转矩 (M)	=	2.340 (N.m)
电流 (I)	=	20.340 (A)
输出功率 (P2)	=	545.10 (W)

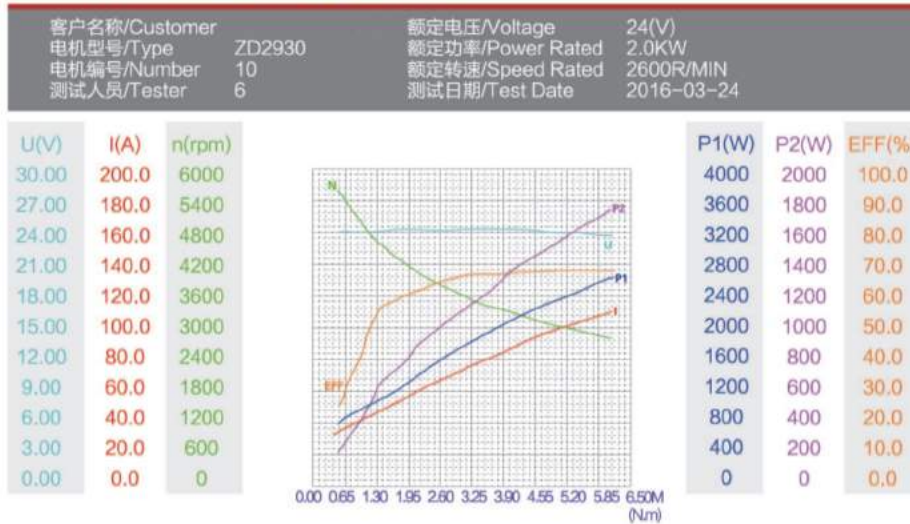
最大输出功率点 (Max_Pout)

效率 (Eff)	=	43.66 (%)
转速 (n)	=	2098 (rpm)
转矩 (M)	=	2.700 (N.m)
电流 (I)	=	22.620 (A)
输出功率 (P2)	=	592.60 (W)

ZD2930 ZD2900 ZD1221



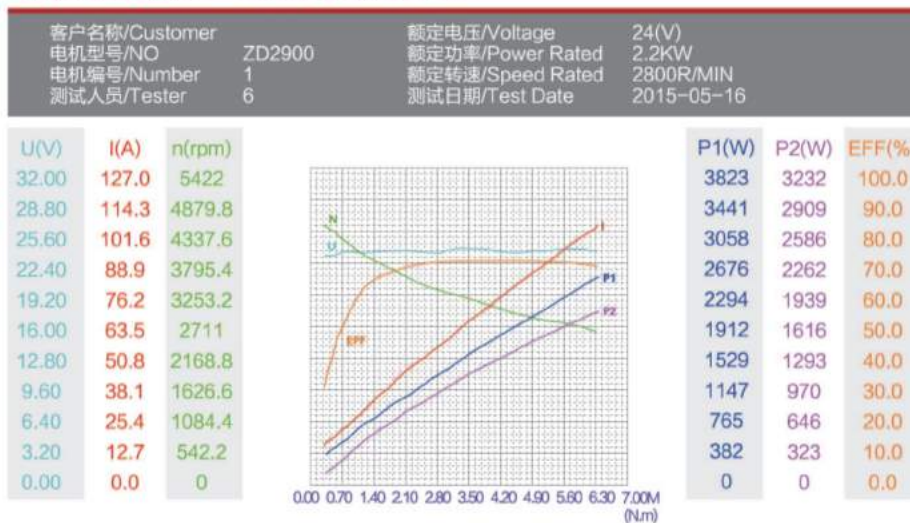
电机负载特性曲线 Outline Dimension



特性参数 Parameter

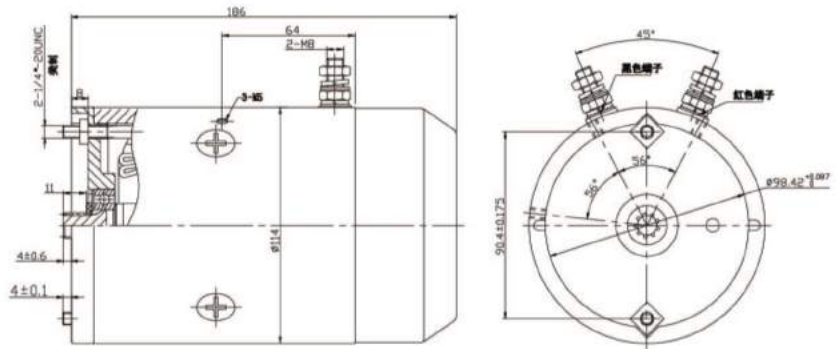
起始点 (Unload) :		
转速 (n)	=	5570 (rpm)
电流 (A)	=	28.410 (A)
最大转矩点 (Max_Torque)		
转矩 (M)	=	6.060 (N.m)
电流 (I)	=	109.360 (A)
转速 (n)	=	2573 (rpm)
效率 (Eff)	=	67.12 (%)
输出功率 (P2)	=	1747.20 (W)
最大效率点 (Max_Efficiency)		
效率 (Eff)	=	67.25 (%)
转速 (n)	=	2914 (rpm)
转矩 (M)	=	5.160 (N.m)
电流 (I)	=	98.260 (A)
输出功率 (P2)	=	1575.70 (W)
最大输出功率点 (Max_Pout)		
效率 (Eff)	=	67.12 (%)
转速 (n)	=	2753 (rpm)
转矩 (M)	=	6.060 (N.m)
电流 (I)	=	109.360 (A)
输出功率 (P2)	=	1747.20 (W)

电机负载特性曲线 Outline Dimension



空载点 (Unload) :		
转速 (n)	=	4518 (rpm)
电流 (A)	=	17.380 (A)
最大转矩点 (Max_Torque)		
转矩 (M)	=	6.330 (N.m)
电流 (I)	=	105.930 (A)
转速 (n)	=	2709 (rpm)
效率 (Eff)	=	70.46 (%)
输出功率 (P2)	=	1795.60 (W)
最大效率点 (Max_Efficiency)		
效率 (Eff)	=	72.46 (%)
转速 (n)	=	3060 (rpm)
转矩 (M)	=	4.240 (N.m)
电流 (I)	=	78.330 (A)
输出功率 (P2)	=	1358.60 (W)
最大输出功率点 (Max_Pout)		
效率 (Eff)	=	70.46 (%)
转速 (n)	=	2709 (rpm)
转矩 (M)	=	6.330 (N.m)
电流 (I)	=	105.930 (A)
输出功率 (P2)	=	1795.60 (W)

外形尺寸图 Outline Dimension

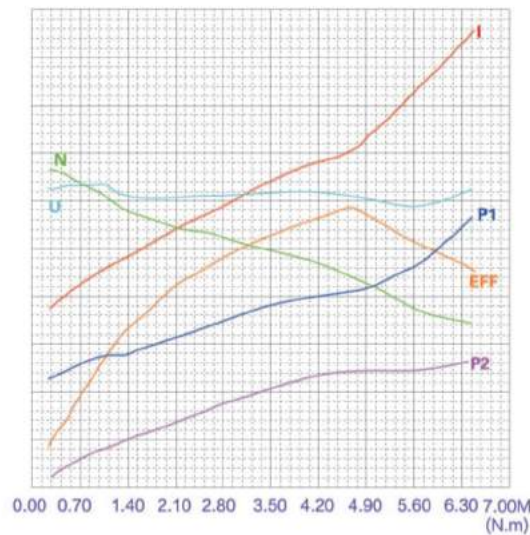


型号/Type	电压/Voltage	功率/Power	转速/Speed	转向/Rotation	外径/O.D
ZD2930	24V	2.0KW	2600RPM	CW/顺时针	114mm
ZD2900	24V	2.2KW	2800RPM	CW/顺时针	114mm
ZD1221	12V	2.0KW	2800RPM	CW/顺时针	114mm

电机负载特性曲线 Outline Dimension

客户名称/Customer	额定电压/Voltage	12(V)
电机型号/NO	额定功率/Power Rated	2.0KW
电机编号/Number	额定转速/Speed Rated	2800R/MIN
测试人员/Tester	测试日期/Test Date	2015-02-08

U(V)	I(A)	n(rpm)
20.00	290.0	6061
18.00	261.0	5454.9
16.00	232.0	4848.8
14.00	203.0	4242.7
12.00	174.0	3636.6
10.00	145.0	3030.5
8.00	116.0	2424.4
6.00	87.0	1818.3
4.00	58.0	1212.2
2.00	29.0	606.1
0.00	0.0	0



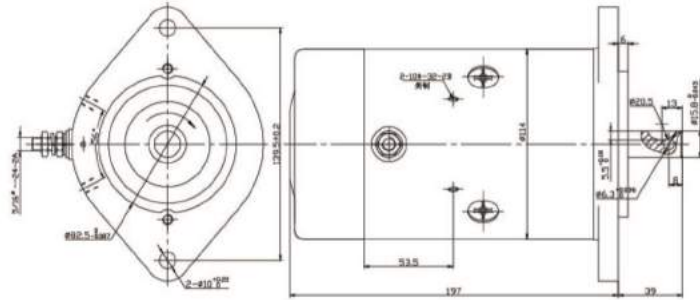
P1(W)	P2(W)	EFF(%)
6000	5801	100.0
5400	5221	90.0
4800	4641	80.0
4200	4061	70.0
3600	3481	60.0
3000	2901	50.0
2400	2320	40.0
1800	1740	30.0
1200	1160	20.0
600	580	10.0
0	0	0.0

特性参数 Parameter

空载点 (Unload) :	最大转矩点 (Max_Torque)	最大效率点 (Max_Efficiency)	最大输出功率点 (Max_Pout)
转速 (n) = 3954 (rpm)	转矩 (M) = 6.860 (N.m)	效率 (Eff) = 57.66 (%)	效率 (Eff) = 44.72 (%)
电流 (I) = 106.520 (A)	电流 (I) = 274.810 (A)	转速 (n) = 2642 (rpm)	转速 (n) = 2070 (rpm)
	转速 (n) = 2070 (rpm)	转矩 (M) = 4.970 (N.m)	转矩 (M) = 6.860 (N.m)
	效率 (Eff) = 44.72 (%)	电流 (I) = 201.230 (A)	电流 (I) = 274.810 (A)
	输出功率 (P2) = 1487.30 (W)	输出功率 (P2) = 1374.40 (W)	输出功率 (P2) = 1487.30 (W)

W6599

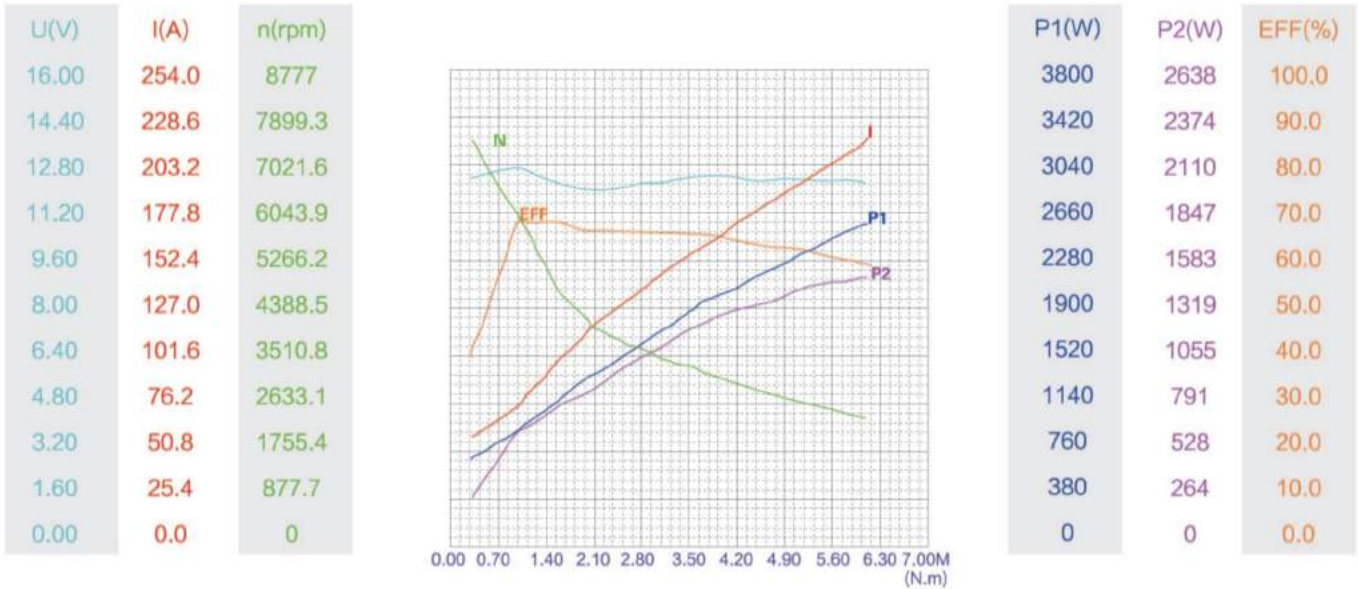
外形尺寸图 Outline Dimension



型号/Type	电压/Voltage	功率/Power	转速/Speed	转向/Rotation	外径/O.D
W6599	12V	1.7KW	2650RPM	CW/顺时针	114mm

电机负载特性曲线 Outline Dimension

客户名称/Customer	额定电压/Voltage	12(V)
电机型号/NO	额定功率/Power Rated	1.7KW
电机编号/Number	额定转速/Speed Rated	2650R/MIN
测试人员/Tester	测试日期/Test Date	2016-06-06

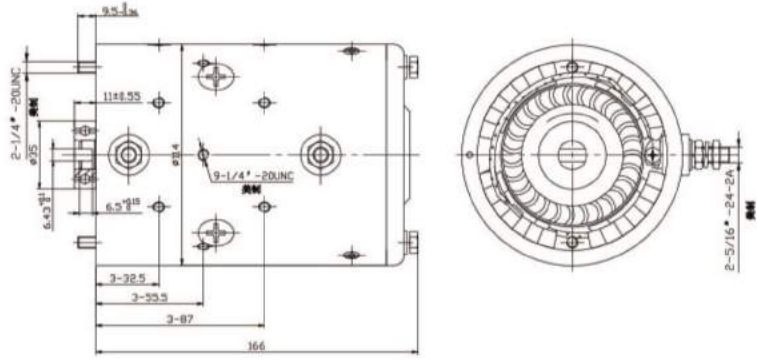


特性参数 Parameter

空载点 (Unload) :	最大转矩点 (Max_Torque)	最大效率点 (Max_Efficiency)	最大输出功率点 (Max_Pout)
转速 (n) = 7314 (rpm)	转矩 (M) = 6.020 (N.m)	效率 (Eff) = 67.04 (%)	效率 (Eff) = 57.86 (%)
电流 (I) = 57.920 (A)	电流 (I) = 211.930 (A)	转速 (n) = 5947 (rpm)	转速 (n) = 2325 (rpm)
	转速 (n) = 2325 (rpm)	转矩 (M) = 1.010 (N.m)	转矩 (M) = 6.020 (N.m)
	效率 (Eff) = 57.86 (%)	电流 (I) = 74.140 (A)	电流 (I) = 211.930 (A)
	输出功率 (P2) = 1465.60 (W)	输出功率 (P2) = 628.90 (W)	输出功率 (P2) = 1465.60 (W)

W8901P

外形尺寸图 Outline Dimension

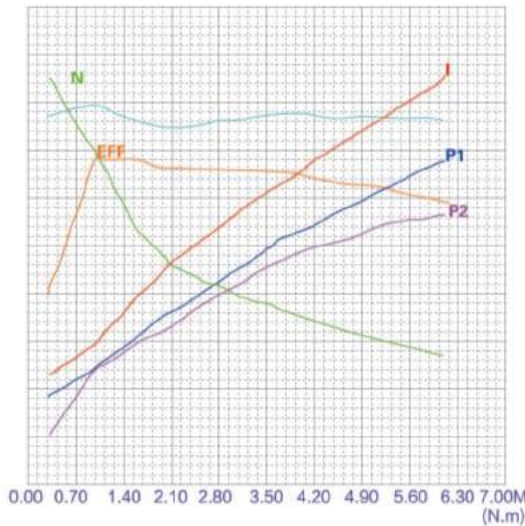


型号/Type	电压/Voltage	功率/Power	转速/Speed	转向/Rotation	外径/O.D
W8901P	12V	1.5KW	2220RPM	BI-DIRECTIONAL/双向	114mm

电机负载特性曲线 Outline Dimension

客户名称/Customer	额定电压/Voltage	12(V)
电机型号/NO	额定功率/Power Rated	1.5KW
电机编号/Number	额定转速/Speed Rated	2450R/MIN
测试人员/Tester	测试日期/Test Date	2016-06-06

U(V)	I(A)	n(rpm)
16.00	254.0	8777
14.40	228.6	7899.3
12.80	203.2	7021.6
11.20	177.8	6043.9
9.60	152.4	5266.2
8.00	127.0	4388.5
6.40	101.6	3510.8
4.80	76.2	2633.1
3.20	50.8	1755.4
1.60	25.4	877.7
0.00	0.0	0



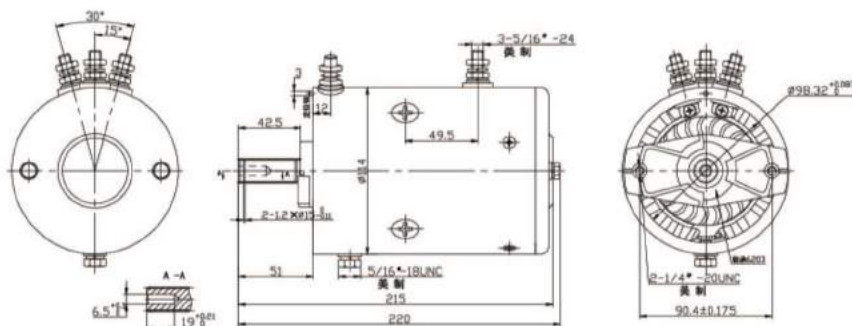
P1(W)	P2(W)	EFF(%)
3800	2638	100.0
3420	2374	90.0
3040	2110	80.0
2660	1847	70.0
2280	1583	60.0
1900	1319	50.0
1520	1055	40.0
1140	791	30.0
760	528	20.0
380	264	10.0
0	0	0.0

特性参数 Parameter

空载点 (Unload) :	最大转矩点 (Max_Torque)	最大效率点 (Max_Efficiency)	最大输出功率点 (Max_Pout)
转速 (n) = 7314 (rpm)	转矩 (M) = 6.020 (N.m)	效率 (Eff) = 67.04 (%)	效率 (Eff) = 57.86 (%)
电流 (I) = 57.920 (A)	电流 (I) = 211.930 (A)	转速 (n) = 5947 (rpm)	转速 (n) = 2325 (rpm)
	转速 (n) = 2325 (rpm)	转矩 (M) = 1.010 (N.m)	转矩 (M) = 6.020 (N.m)
	效率 (Eff) = 57.86 (%)	电流 (I) = 74.140 (A)	电流 (I) = 211.930 (A)
	输出功率 (P2) = 1465.60 (W)	输出功率 (P2) = 628.90 (W)	输出功率 (P2) = 1465.60 (W)

W8923

外形尺寸图 Outline Dimension

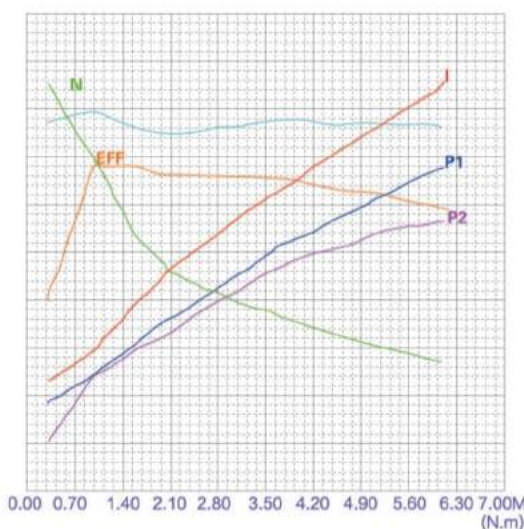


型号/Type	电压/Voltage	功率/Power	转速/Speed	转向/Rotation	外径/O.D
W8923	12V	1.4KW	2220RPM	BI-DIRECTIONAL/双向	114mm

电机负载特性曲线 Outline Dimension

客户名称/Customer		额定电压/Voltage	12(V)
电机型号/NO	W8923	额定功率/Power Rated	1.4KW
电机编号/Number	1	额定转速/Speed Rated	2220R/MIN
测试人员/Tester	6	测试日期/Test Date	2016-06-06

U(V)	I(A)	n(rpm)
16.00	254.0	8777
14.40	228.6	7899.3
12.80	203.2	7021.6
11.20	177.8	6043.9
9.60	152.4	5266.2
8.00	127.0	4388.5
6.40	101.6	3510.8
4.80	76.2	2633.1
3.20	50.8	1755.4
1.60	25.4	877.7
0.00	0.0	0



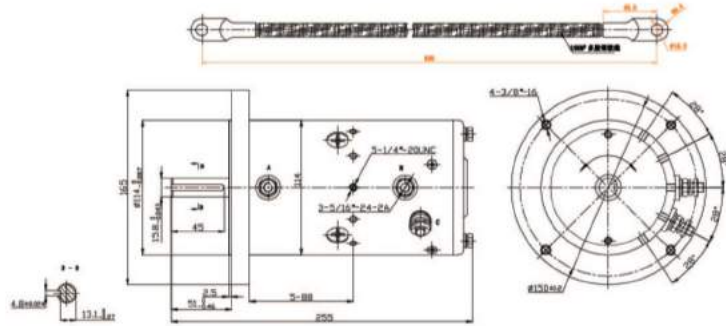
P1(W)	P2(W)	EFF(%)
3800	2638	100.0
3420	2374	90.0
3040	2110	80.0
2660	1847	70.0
2280	1583	60.0
1900	1319	50.0
1520	1055	40.0
1140	791	30.0
760	528	20.0
380	264	10.0
0	0	0.0

特性参数 Parameter

空载点 (Unload) :	最大转矩点 (Max_Torque)	最大效率点 (Max_Efficiency)	最大输出功率点 (Max_Pout)
转速 (n) = 7314 (rpm)	转矩 (M) = 6.020 (N.m)	效率 (Eff) = 67.04 (%)	效率 (Eff) = 57.86 (%)
电流 (I) = 57.920 (A)	电流 (I) = 211.930 (A)	转速 (n) = 5947 (rpm)	转速 (n) = 2325 (rpm)
	转速 (n) = 2325 (rpm)	转矩 (M) = 1.010 (N.m)	转矩 (M) = 6.020 (N.m)
	效率 (Eff) = 57.86 (%)	电流 (I) = 74.140 (A)	电流 (I) = 211.930 (A)
	输出功率 (P2) = 1465.60 (W)	输出功率 (P2) = 628.90 (W)	输出功率 (P2) = 1465.60 (W)

W8930B

外形尺寸图 Outline Dimension

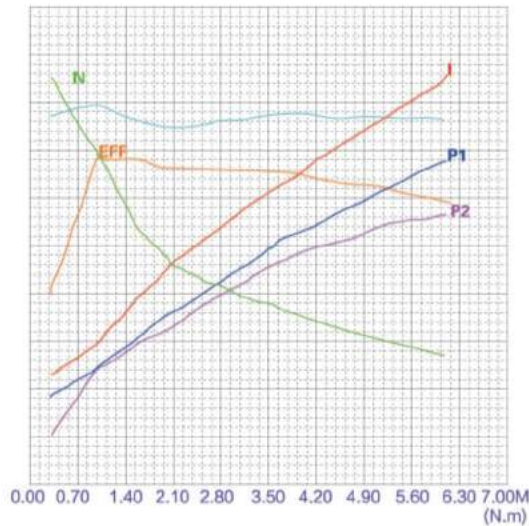


型号/Type	电压/Voltage	功率/Power	转速/Speed	转向/Rotation	外径/O.D
W8930B	12V	1.5KW	2300RPM	BI-DIRECTIONAL/双向	114mm

电机负载特性曲线 Outline Dimension

客户名称/Customer	电机型号/NO	电机编号/Number	测试人员/Tester	额定电压/Voltage	额定功率/Power Rated	额定转速/Speed Rated	测试日期/Test Date
	W8930B	1	6	12(V)	1.5KW	2450R/MIN	2016-06-06

U(V)	I(A)	n(rpm)
16.00	254.0	8777
14.40	228.6	7899.3
12.80	203.2	7021.6
11.20	177.8	6043.9
9.60	152.4	5266.2
8.00	127.0	4388.5
6.40	101.6	3510.8
4.80	76.2	2633.1
3.20	50.8	1755.4
1.60	25.4	877.7
0.00	0.0	0



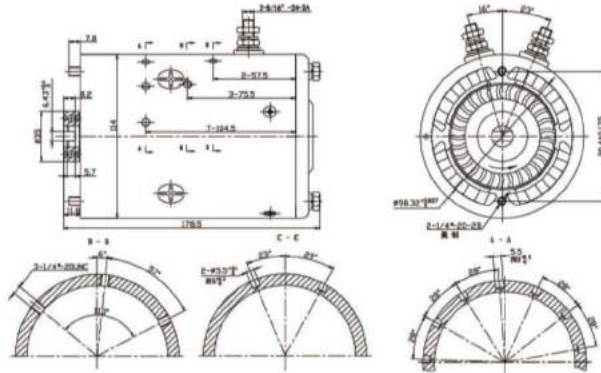
P1(W)	P2(W)	EFF(%)
3800	2638	100.0
3420	2374	90.0
3040	2110	80.0
2660	1847	70.0
2280	1583	60.0
1900	1319	50.0
1520	1055	40.0
1140	791	30.0
760	528	20.0
380	264	10.0
0	0	0.0

特性参数 Parameter

空载点 (Unload) :	最大转矩点 (Max_Torque)	最大效率点 (Max_Efficiency)	最大输出功率点 (Max_Pout)
转速 (n) = 7314 (rpm)	转矩 (M) = 6.020 (N.m)	效率 (Eff) = 67.04 (%)	效率 (Eff) = 57.86 (%)
电流 (I) = 57.920 (A)	电流 (I) = 211.930 (A)	转速 (n) = 5947 (rpm)	转速 (n) = 2325 (rpm)
	转速 (n) = 2325 (rpm)	转矩 (M) = 1.010 (N.m)	转矩 (M) = 6.020 (N.m)
	效率 (Eff) = 57.86 (%)	电流 (I) = 74.140 (A)	电流 (I) = 211.930 (A)
	输出功率 (P2) = 1465.60 (W)	输出功率 (P2) = 628.90 (W)	输出功率 (P2) = 1465.60 (W)

W8950

外形尺寸图 Outline Dimension

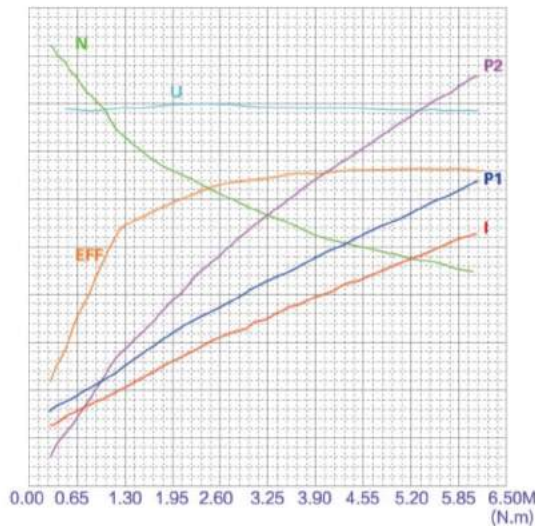


型号/Type	电压/Voltage	功率/Power	转速/Speed	转向/Rotation	外径/O.D
W8950	24V	2.0KW	3300RPM	CCW/逆时针	114mm

电机负载特性曲线 Outline Dimension

客户名称/Customer	额定电压/Voltage	24(V)
电机型号/NO	额定功率/Power Rated	2.0KW
电机编号/Number	额定转速/Speed Rated	3300R/MIN
测试人员/Tester	测试日期/Test Date	2016-03-24

U(V)	I(A)	n(rpm)
30.00	200.0	6000
27.00	180.0	5400
24.00	160.0	4800
21.00	140.0	4200
18.00	120.0	3600
15.00	100.0	3000
12.00	80.0	2400
9.00	60.0	1800
6.00	40.0	1200
3.00	20.0	600
0.00	0.0	0



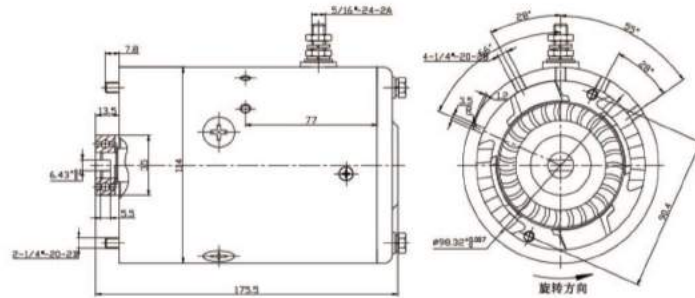
P1(W)	P2(W)	EFF(%)
4000	2000	100.0
3600	1800	90.0
3200	1600	80.0
2800	1400	70.0
2400	1200	60.0
2000	1000	50.0
1600	800	40.0
1200	600	30.0
800	400	20.0
400	200	10.0
0	0	0.0

特性参数 Parameter

空载点 (Unload) :	最大转矩点 (Max_Torque)	最大效率点 (Max_Efficiency)	最大输出功率点 (Max_Pout)
转速 (n) = 5570 (rpm)	转矩 (M) = 6.060 (N.m)	效率 (Eff) = 67.25 (%)	效率 (Eff) = 67.12 (%)
电流 (I) = 28.410 (A)	电流 (I) = 109.360 (A)	转速 (n) = 2914 (rpm)	转速 (n) = 2753 (rpm)
	转速 (n) = 2753 (rpm)	转矩 (M) = 5.160 (N.m)	转矩 (M) = 6.060 (N.m)
	效率 (Eff) = 67.12 (%)	电流 (I) = 98.260 (A)	电流 (I) = 109.360 (A)
	输出功率 (P2) = 1747.20 (W)	输出功率 (P2) = 1575.70 (W)	输出功率 (P2) = 1747.20 (W)

W8999

外形尺寸图 Outline Dimension

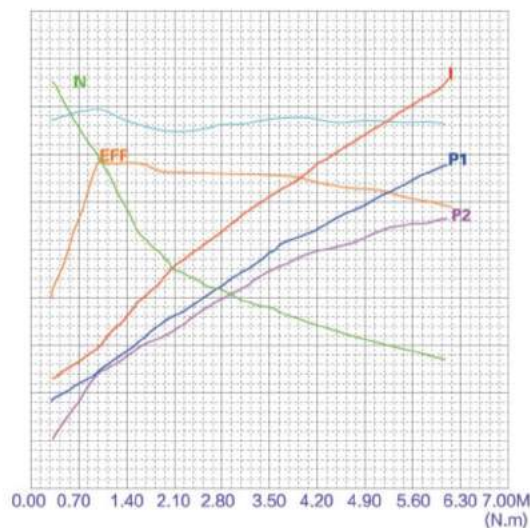


型号/Type	电压/Voltage	功率/Power	转速/Speed	转向/Rotation	外径/O.D
W8999	12V	1.6KW	2350RPM	CCW/逆时针	114mm

电机负载特性曲线 Outline Dimension

客户名称/Customer	电机型号/NO	电机编号/Number	测试人员/Tester	额定电压/Voltage	12(V)
	W8999	1	6	额定功率/Power Rated	1.6KW
				额定转速/Speed Rated	2350R/MIN
				测试日期/Test Date	2016-06-06

U(V)	I(A)	n(rpm)
16.00	254.0	8777
14.40	228.6	7899.3
12.80	203.2	7021.6
11.20	177.8	6043.9
9.60	152.4	5266.2
8.00	127.0	4388.5
6.40	101.6	3510.8
4.80	76.2	2633.1
3.20	50.8	1755.4
1.60	25.4	877.7
0.00	0.0	0



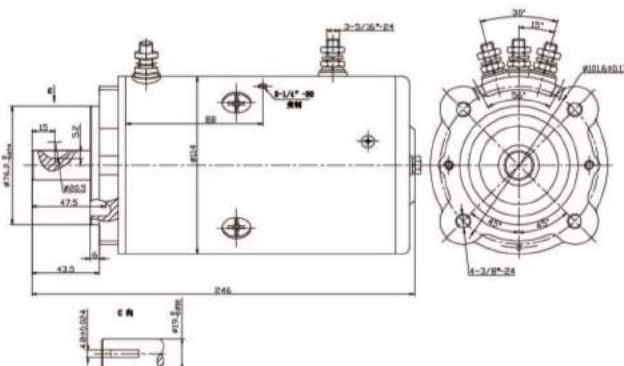
P1(W)	P2(W)	EFF(%)
3800	2638	100.0
3420	2374	90.0
3040	2110	80.0
2660	1847	70.0
2280	1583	60.0
1900	1319	50.0
1520	1055	40.0
1140	791	30.0
760	528	20.0
380	264	10.0
0	0	0.0

特性参数 Parameter

空载点 (Unload) :	最大转矩点 (Max_Torque)	最大效率点 (Max_Efficiency)	最大输出功率点 (Max_Pout)
转速 (n) = 7314 (rpm)	转矩 (M) = 6.020 (N.m)	效率 (Eff) = 67.04 (%)	效率 (Eff) = 57.86 (%)
电流 (I) = 57.920 (A)	电流 (I) = 211.930 (A)	转速 (n) = 5947 (rpm)	转速 (n) = 2325 (rpm)
	转速 (n) = 2325 (rpm)	转矩 (M) = 1.010 (N.m)	转矩 (M) = 6.020 (N.m)
	效率 (Eff) = 57.86 (%)	电流 (I) = 74.140 (A)	电流 (I) = 211.930 (A)
	输出功率 (P2) = 1465.60 (W)	输出功率 (P2) = 628.90 (W)	输出功率 (P2) = 1465.60 (W)

W9144

外形尺寸图 Outline Dimension

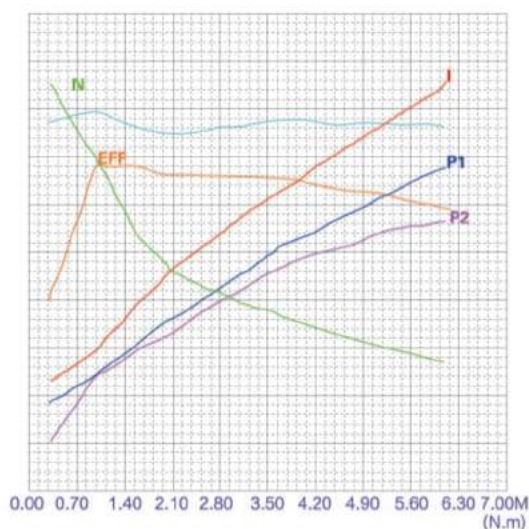


型号/Type	电压/Voltage	功率/Power	转速/Speed	转向/Rotation	外径/O.D
W9144	12V	1.4KW	2150RPM	BI-DIRECTIONAL/双向	114mm

电机负载特性曲线 Outline Dimension

客户名称/Customer	额定电压/Voltage	12(V)
电机型号/NO	额定功率/Power Rated	1.5KW
电机编号/Number	额定转速/Speed Rated	2450R/MIN
测试人员/Tester	测试日期/Test Date	2016-06-06

U(V)	I(A)	n(rpm)
16.00	254.0	8777
14.40	228.6	7899.3
12.80	203.2	7021.6
11.20	177.8	6043.9
9.60	152.4	5266.2
8.00	127.0	4388.5
6.40	101.6	3510.8
4.80	76.2	2633.1
3.20	50.8	1755.4
1.60	25.4	877.7
0.00	0.0	0



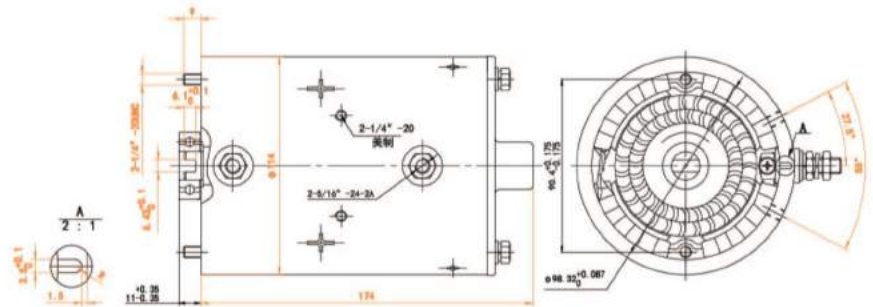
P1(W)	P2(W)	EFF(%)
3800	2638	100.0
3420	2374	90.0
3040	2110	80.0
2660	1847	70.0
2280	1583	60.0
1900	1319	50.0
1520	1055	40.0
1140	791	30.0
760	528	20.0
380	264	10.0
0	0	0.0

特性参数 Parameter

空载点 (Unload) :	最大转矩点 (Max_Torque)	最大效率点 (Max_Efficiency)	最大输出功率点 (Max_Pout)
转速 (n) = 7314 (rpm)	转矩 (M) = 6.020 (N.m)	效率 (Eff) = 67.04 (%)	效率 (Eff) = 57.86 (%)
电流 (I) = 57.920 (A)	电流 (I) = 211.930 (A)	转速 (n) = 5947 (rpm)	转速 (n) = 2325 (rpm)
	转速 (n) = 2325 (rpm)	转矩 (M) = 1.010 (N.m)	转矩 (M) = 6.020 (N.m)
	效率 (Eff) = 57.86 (%)	电流 (I) = 74.140 (A)	电流 (I) = 211.930 (A)
	输出功率 (P2) = 1465.60 (W)	输出功率 (P2) = 628.90 (W)	输出功率 (P2) = 1465.60 (W)

W9405

外形尺寸图 Outline Dimension

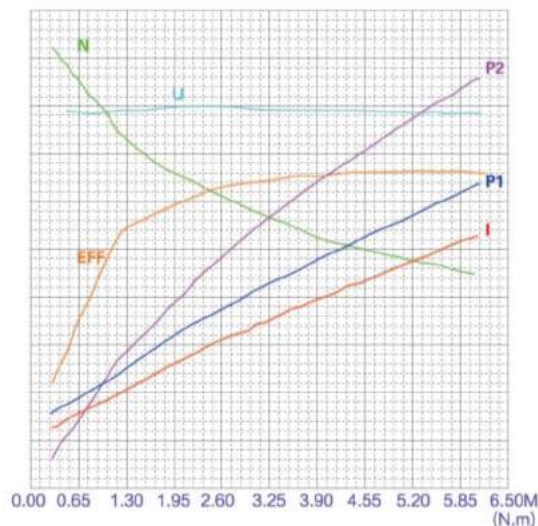


型号/Type	电压/Voltage	功率/Power	转速/Speed	转向/Rotation	外径/O.D
W9405	24V	2.0KW	2600RPM	CCW/逆时针	114mm

电机负载特性曲线 Outline Dimension

客户名称/Customer	额定电压/Voltage	24(V)
电机型号/NO	额定功率/Power Rated	2.0KW
电机编号/Number	额定转速/Speed Rated	2600R/MIN
测试人员/Tester	测试日期/Test Date	2016-03-24

U(V)	I(A)	n(rpm)
30.00	200.0	6000
27.00	180.0	5400
24.00	160.0	4800
21.00	140.0	4200
18.00	120.0	3600
15.00	100.0	3000
12.00	80.0	2400
9.00	60.0	1800
6.00	40.0	1200
3.00	20.0	600
0.00	0.0	0



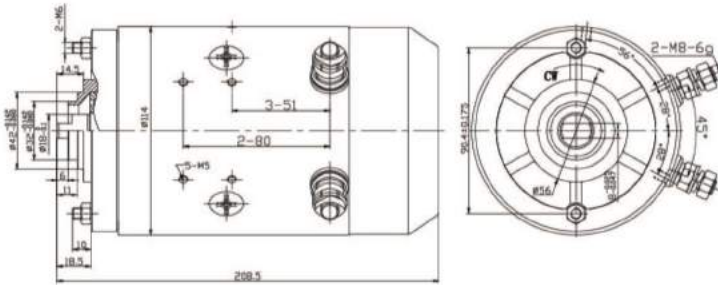
P1(W)	P2(W)	EFF(%)
4000	2000	100.0
3600	1800	90.0
3200	1600	80.0
2800	1400	70.0
2400	1200	60.0
2000	1000	50.0
1600	800	40.0
1200	600	30.0
800	400	20.0
400	200	10.0
0	0	0.0

特性参数 Parameter

空载点 (Unload) :	最大转矩点 (Max_Torque)	最大效率点 (Max_Efficiency)	最大输出功率点 (Max_Pout)
转速 (n) = 5570 (rpm)	转矩 (M) = 6.060 (N.m)	效率 (Eff) = 67.25 (%)	效率 (Eff) = 67.12 (%)
电流 (I) = 28.410 (A)	电流 (I) = 109.360 (A)	转速 (n) = 2914 (rpm)	转速 (n) = 2753 (rpm)
	转速 (n) = 2753 (rpm)	转矩 (M) = 5.160 (N.m)	转矩 (M) = 6.060 (N.m)
	效率 (Eff) = 67.12 (%)	电流 (I) = 98.260 (A)	电流 (I) = 109.360 (A)
	输出功率 (P2) = 1747.20 (W)	输出功率 (P2) = 1575.70 (W)	输出功率 (P2) = 1747.20 (W)

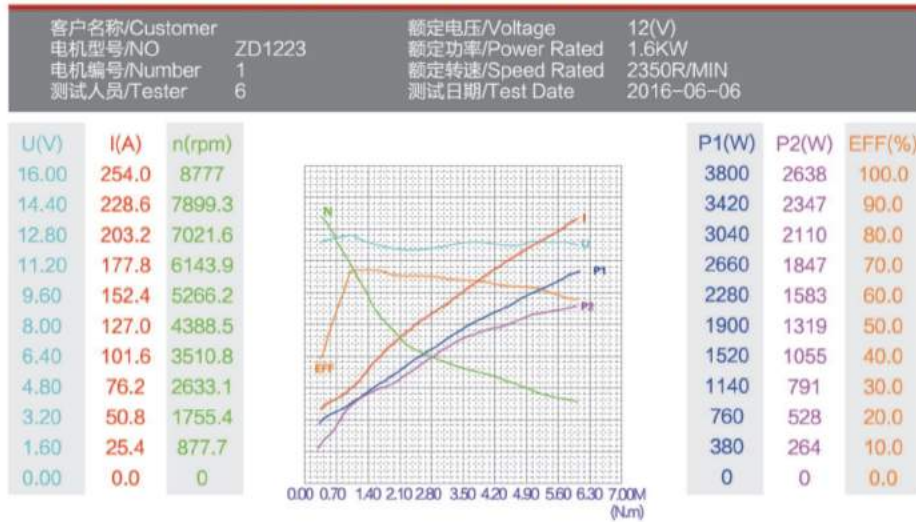
ZD1223 ZD2931

外形尺寸图 Outline Dimension



型号/Type	电压/Voltage	功率/Power	转速/Speed	转向/Rotation	外径/O.D
ZD1223	12V	1.6KW	2350RPM	CW/顺时针	114mm
ZD2931	24V	2.0KW	2600RPM	CW/顺时针	114mm

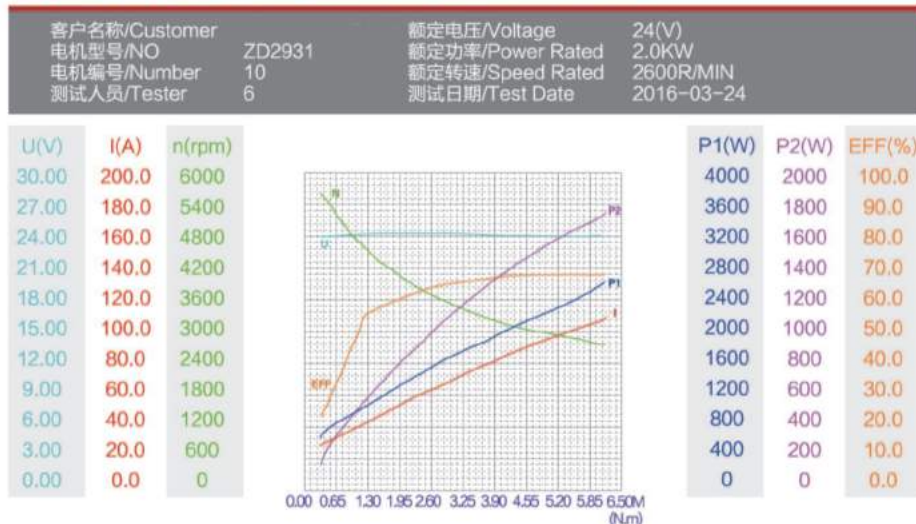
电机负载特性曲线 Motor Load Characteristic Curve



特性参数 Parameter

空载点 (Unload) :	
转速 (n)	= 7314 (rpm)
电流 (I)	= 57.920 (A)
最大扭矩点 (Max_Torque)	
转矩 (M)	= 6.020 (N.m)
电流 (I)	= 211.930 (A)
转速 (n)	= 2325 (rpm)
效率 (Eff)	= 57.86 (%)
输出功率 (P2)	= 1465.60 (W)
最大效率点 (Max_Efficiency)	
效率 (Eff)	= 67.04 (%)
转速 (n)	= 5947 (rpm)
转矩 (M)	= 1.010 (N.m)
电流 (I)	= 74.140 (A)
输出功率 (P2)	= 628.90 (W)
最大输出功率点 (Max_Pout)	
效率 (Eff)	= 57.86 (%)
转速 (n)	= 2325 (rpm)
转矩 (M)	= 6.020 (N.m)
电流 (I)	= 211.930 (A)
输出功率 (P2)	= 1465.60 (W)

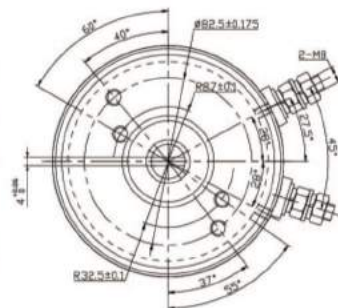
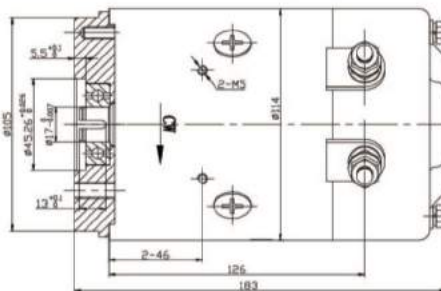
电机负载特性曲线 Motor Load Characteristic Curve



空载点 (Unload) :	
转速 (n)	= 5570 (rpm)
电流 (A)	= 28.410 (A)
最大扭矩点 (Max_Torque)	
转矩 (M)	= 6.060 (N.m)
电流 (I)	= 109.360 (A)
转速 (n)	= 2753 (rpm)
效率 (Eff)	= 67.12 (%)
输出功率 (P2)	= 1747.20 (W)
最大效率点 (Max_Efficiency)	
效率 (Eff)	= 67.25 (%)
转速 (n)	= 2914 (rpm)
转矩 (M)	= 5.160 (N.m)
电流 (I)	= 98.260 (A)
输出功率 (P2)	= 1575.70 (W)
最大输出功率点 (Max_Pout)	
效率 (Eff)	= 67.12 (%)
转速 (n)	= 2753 (rpm)
转矩 (M)	= 6.060 (N.m)
电流 (I)	= 109.360 (A)
输出功率 (P2)	= 1747.20 (W)

ZD1240 ZD2940

外形尺寸图 Outline Dimension

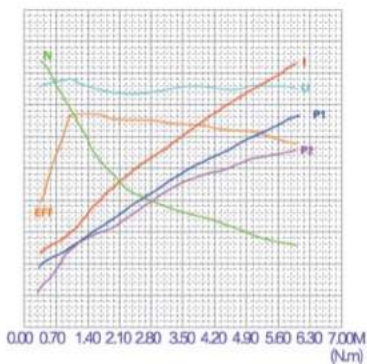


型号/Type	电压/Voltage	功率/Power	转速/Speed	转向/Rotation	外径/O.D
ZD1240	12V	1.6KW	2350RPM	CW/顺时针	114mm
ZD2940	24V	2.2KW	2700RPM	CW/顺时针	114mm

电机负载特性曲线 Motor Load Characteristic Curve

客户名称/Customer		额定电压/Voltage	12(V)
电机型号/NO	ZD1240	额定功率/Power Rated	1.6KW
电机编号/Number	1	额定转速/Speed Rated	2350R/MIN
测试人员/Tester	6	测试日期/Test Date	2016-06-06

U(V)	I(A)	n(rpm)
16.00	254.0	8777
14.40	228.6	7899.3
12.80	203.2	7021.6
11.20	177.8	6143.9
9.60	152.4	5266.2
8.00	127.0	4388.5
6.40	101.6	3510.8
4.80	76.2	2633.1
3.20	50.8	1755.4
1.60	25.4	877.7
0.00	0.0	0



P1(W)	P2(W)	EFF(%)
3800	2638	100.0
3420	2347	90.0
3040	2110	80.0
2660	1847	70.0
2280	1583	60.0
1900	1319	50.0
1520	1055	40.0
1140	791	30.0
760	528	20.0
380	264	10.0
0	0	0.0

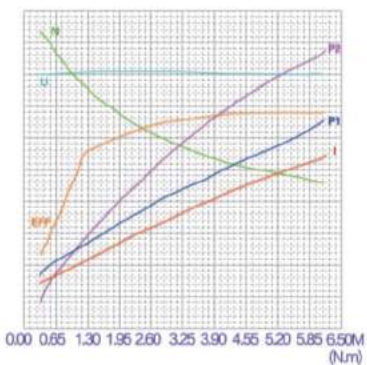
特性参数 Parameter

空载点 (Unload) :	
转速 (n)	= 7314 (rpm)
电流 (I)	= 57.920 (A)
最大转矩点 (Max_Torque)	
转矩 (M)	= 6.020 (N.m)
电流 (I)	= 211.930 (A)
转速 (n)	= 2325 (rpm)
效率 (Eff)	= 57.86 (%)
输出功率 (P2)	= 1465.60 (W)
最大效率点 (Max_Efficiency)	
效率 (Eff)	= 67.04 (%)
转速 (n)	= 5947 (rpm)
转矩 (M)	= 1.010 (N.m)
电流 (I)	= 74.140 (A)
输出功率 (P2)	= 628.90 (W)
最大输出功率点 (Max_Pout)	
效率 (Eff)	= 57.86 (%)
转速 (n)	= 2325 (rpm)
转矩 (M)	= 6.020 (N.m)
电流 (I)	= 211.930 (A)
输出功率 (P2)	= 1465.60 (W)

电机负载特性曲线 Motor Load Characteristic Curve

客户名称/Customer		额定电压/Voltage	24(V)
电机型号/NO	ZD2940	额定功率/Power Rated	2.2KW
电机编号/Number	10	额定转速/Speed Rated	2700R/MIN
测试人员/Tester	6	测试日期/Test Date	2016-03-24

U(V)	I(A)	n(rpm)
30.00	200.0	6000
27.00	180.0	5400
24.00	160.0	4800
21.00	140.0	4200
18.00	120.0	3600
15.00	100.0	3000
12.00	80.0	2400
9.00	60.0	1800
6.00	40.0	1200
3.00	20.0	600
0.00	0.0	0

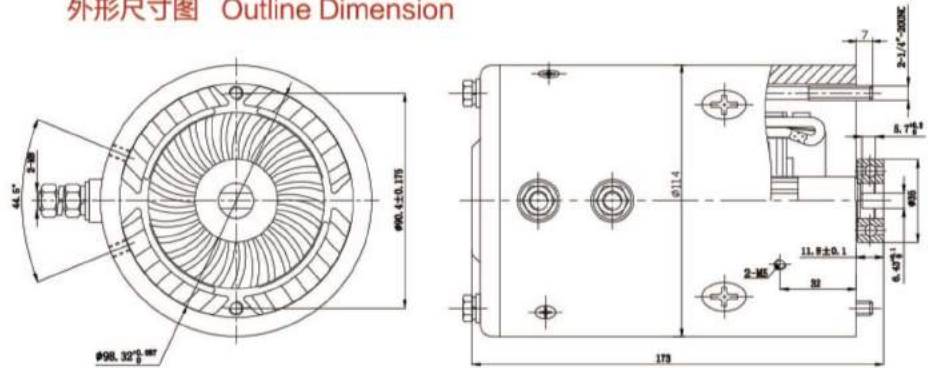


P1(W)	P2(W)	EFF(%)
4000	2000	100.0
3600	1800	90.0
3200	1600	80.0
2800	1400	70.0
2400	1200	60.0
2000	1000	50.0
1600	800	40.0
1200	600	30.0
800	400	20.0
400	200	10.0
0	0	0.0

空载点 (Unload) :	
转速 (n)	= 5570 (rpm)
电流 (A)	= 28.410 (A)
最大转矩点 (Max_Torque)	
转矩 (M)	= 6.060 (N.m)
电流 (I)	= 109.360 (A)
转速 (n)	= 2753 (rpm)
效率 (Eff)	= 67.12 (%)
输出功率 (P2)	= 1747.20 (W)
最大效率点 (Max_Efficiency)	
效率 (Eff)	= 67.25 (%)
转速 (n)	= 2914 (rpm)
转矩 (M)	= 5.160 (N.m)
电流 (I)	= 98.260 (A)
输出功率 (P2)	= 1575.70 (W)
最大输出功率点 (Max_Pout)	
效率 (Eff)	= 67.12 (%)
转速 (n)	= 2753 (rpm)
转矩 (M)	= 6.060 (N.m)
电流 (I)	= 109.360 (A)
输出功率 (P2)	= 1747.20 (W)

ZD193A

外形尺寸图 Outline Dimension

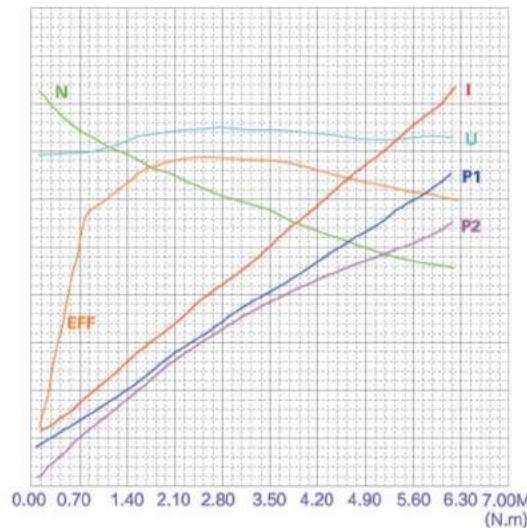


型号/Type	电压/Voltage	功率/Power	转速/Speed	转向/Rotation	外径/O.D
ZD193A	12V	1.6KW	2600RPM	CCW/逆时针	114mm

电机负载特性曲线 Outline Dimension

客户名称/Customer		额定电压/Voltage	12(V)
电机型号/NO	ZD193A	额定功率/Power Rated	1.6KW
电机编号/Number	193A	额定转速/Speed Rated	2600R/MIN
测试人员/Tester	6	测试日期/Test Date	2015-02-08

U(V)	I(A)	n(rpm)
20.00	290.0	6061
18.00	261.0	5454.9
16.00	232.0	4848.8
14.00	203.0	4242.7
12.00	174.0	3636.6
10.00	145.0	3030.5
8.00	116.0	2424.4
6.00	87.0	1818.3
4.00	58.0	1212.2
2.00	29.0	606.1
0.00	0.0	0



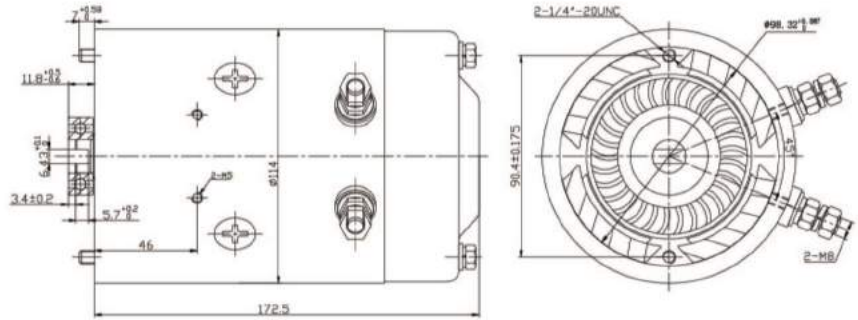
P1(W)	P2(W)	EFF(%)
6000	5801	100.0
5400	5221	90.0
4800	4641	80.0
4200	4061	70.0
3600	3481	60.0
3000	2901	50.0
2400	2320	40.0
1800	1740	30.0
1200	1160	20.0
600	580	10.0
0	0	0.0

特性参数 Parameter

空载点 (Unload) :	最大转矩点 (Max_Torque)	最大效率点 (Max_Efficiency)	最大输出功率点 (Max_Pout)
转速 (n) = 3954 (rpm)	转矩 (M) = 6.860 (N.m)	效率 (Eff) = 57.66 (%)	效率 (Eff) = 44.72 (%)
电流 (I) = 106.520 (A)	电流 (I) = 274.810 (A)	转速 (n) = 2642 (rpm)	转速 (n) = 2070 (rpm)
	转速 (n) = 2070 (rpm)	转矩 (M) = 4.970 (N.m)	转矩 (M) = 6.860 (N.m)
	效率 (Eff) = 44.72 (%)	电流 (I) = 201.230 (A)	电流 (I) = 274.810 (A)
	输出功率 (P2) = 1487.30 (W)	输出功率 (P2) = 1374.40 (W)	输出功率 (P2) = 1487.30 (W)

ZD223A

外形尺寸图 Outline Dimension

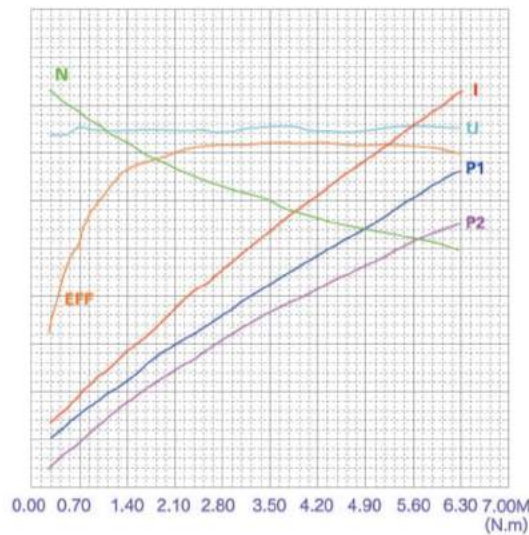


型号/Type	电压/Voltage	功率/Power	转速/Speed	转向/Rotation	外径/O.D
ZD223A	24V	2.2KW	2600RPM	CCW/逆时针	114mm

电机负载特性曲线 Outline Dimension

客户名称/Customer	额定电压/Voltage	24(V)
电机型号/NO	额定功率/Power Rated	2.2KW
电机编号/Number	额定转速/Speed Rated	2800R/MIN
测试人员/Tester	测试日期/Test Date	2016-05-16

U(V)	I(A)	n(rpm)
32.00	127.0	5422
28.80	114.3	4879.8
25.60	101.6	4337.6
22.40	88.9	3795.4
19.20	76.2	3253.2
16.00	63.5	2711
12.80	50.8	2168.8
9.60	38.1	1626.6
6.40	25.4	1084.4
3.20	12.7	542.2
0.00	0.0	0



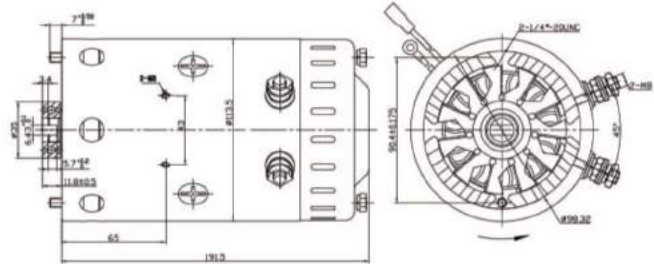
P1(W)	P2(W)	EFF(%)
3823	3232	100.0
3441	2909	90.0
3058	2586	80.0
2676	2262	70.0
2294	1939	60.0
1912	1616	50.0
1529	1293	40.0
1147	970	30.0
765	646	20.0
382	323	10.0
0	0	0.0

特性参数 Parameter

空载点 (Unload) :	最大转矩点 (Max_Torque)	最大效率点 (Max_Efficiency)	最大输出功率点 (Max_Pout)
转速 (n) = 4518 (rpm)	转矩 (M) = 6.330 (N.m)	效率 (Eff) = 72.46 (%)	效率 (Eff) = 70.46 (%)
电流 (I) = 17.380 (A)	电流 (I) = 105.930 (A)	转速 (n) = 3060 (rpm)	转速 (n) = 2709 (rpm)
	转速 (n) = 2709 (rpm)	转矩 (M) = 4.240 (N.m)	转矩 (M) = 6.330 (N.m)
	效率 (Eff) = 70.46 (%)	电流 (I) = 78.330 (A)	电流 (I) = 105.930 (A)
	输出功率 (P2) = 1795.60 (W)	输出功率 (P2) = 1358.60 (W)	输出功率 (P2) = 1795.60 (W)

ZD223AF

外形尺寸图 Outline Dimension

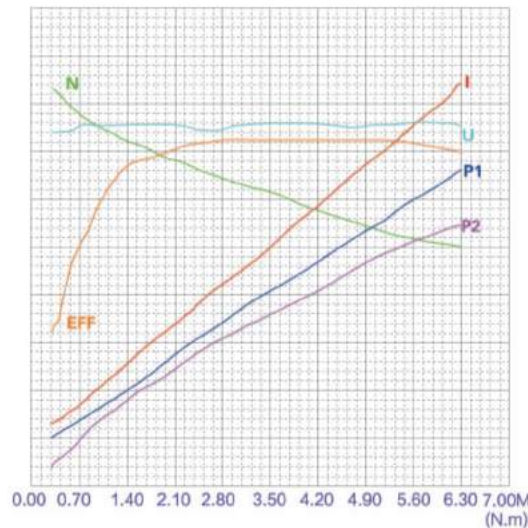


型号/Type	电压/Voltage	功率/Power	转速/Speed	转向/Rotation	外径/O.D
ZD223AF	24V	2.2KW	2600RPM	CCW/逆时针	114mm

电机负载特性曲线 Outline Dimension

客户名称/Customer		额定电压/Voltage	24(V)
电机型号/NO	ZD223AF	额定功率/Power Rated	2.2KW
电机编号/Number	1	额定转速/Speed Rated	2800R/MIN
测试人员/Tester	6	测试日期/Test Date	2015-05-16

U(V)	I(A)	n(rpm)
32.00	127.0	5422
28.80	114.3	4879.8
25.60	101.6	4337.6
22.40	88.9	3795.4
19.20	76.2	3253.2
16.00	63.5	2711
12.80	50.8	2168.8
9.60	38.1	1626.6
6.40	25.4	1084.4
3.20	12.7	542.2
0.00	0.0	0



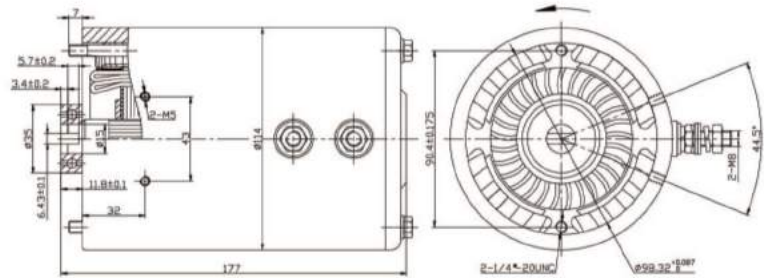
P1(W)	P2(W)	EFF(%)
3823	3232	100.0
3441	2909	90.0
3058	2586	80.0
2676	2262	70.0
2294	1939	60.0
1912	1616	50.0
1529	1293	40.0
1147	970	30.0
765	646	20.0
382	323	10.0
0	0	0.0

特性参数 Parameter

空载点 (Unload) :	最大转矩点 (Max_Torque)	最大效率点 (Max_Efficiency)	最大输出功率点 (Max_Pout)
转速 (n) = 4518 (rpm)	转矩 (M) = 6.330 (N.m)	效率 (Eff) = 72.46 (%)	效率 (Eff) = 70.46 (%)
电流 (I) = 17.380 (A)	电流 (I) = 105.930 (A)	转速 (n) = 3060 (rpm)	转速 (n) = 2709 (rpm)
	转速 (n) = 2709 (rpm)	转矩 (M) = 4.240 (N.m)	转矩 (M) = 6.330 (N.m)
	效率 (Eff) = 70.46 (%)	电流 (I) = 78.330 (A)	电流 (I) = 105.930 (A)
	输出功率 (P2) = 1795.60 (W)	输出功率 (P2) = 1358.60 (W)	输出功率 (P2) = 1795.60 (W)

ZD293A

外形尺寸图 Outline Dimension

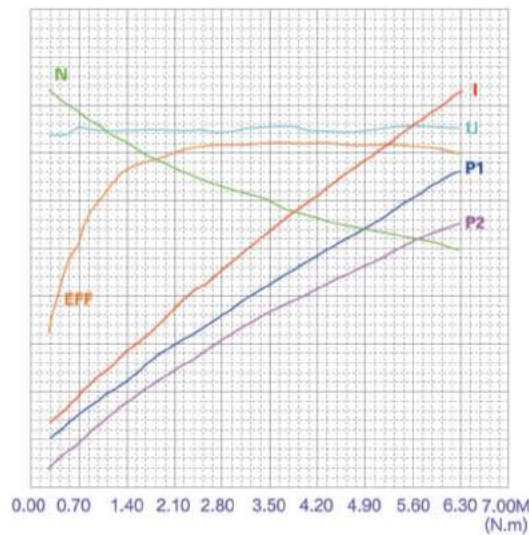


型号/Type	电压/Voltage	功率/Power	转速/Speed	转向/Rotation	外径/O.D
ZD293A	24V	2.2KW	2750RPM	CCW/逆时针	114mm

电机负载特性曲线 Outline Dimension

客户名称/Customer	电机型号/NO	电机编号/Number	测试人员/Tester	额定电压/Voltage	24(V)
	ZD293A	1	6	额定功率/Power Rated	2.2KW
				额定转速/Speed Rated	2800R/MIN
				测试日期/Test Date	2016-05-16

U(V)	I(A)	n(rpm)
32.00	127.0	5422
28.80	114.3	4879.8
25.60	101.6	4337.6
22.40	88.9	3795.4
19.20	76.2	3253.2
16.00	63.5	2711
12.80	50.8	2168.8
9.60	38.1	1626.6
6.40	25.4	1084.4
3.20	12.7	542.2
0.00	0.0	0



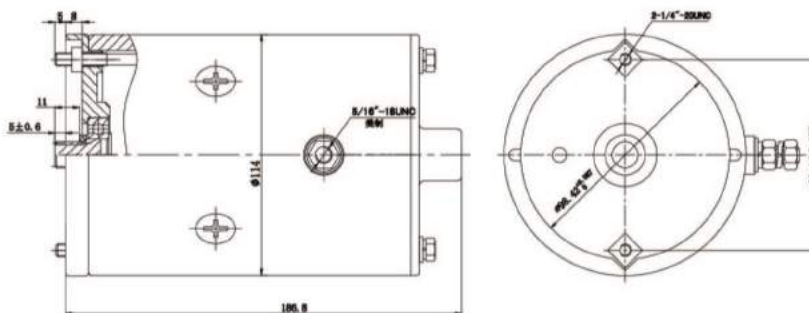
P1(W)	P2(W)	EFF(%)
3823	3232	100.0
3441	2909	90.0
3058	2586	80.0
2676	2262	70.0
2294	1939	60.0
1912	1616	50.0
1529	1293	40.0
1147	970	30.0
765	646	20.0
382	323	10.0
0	0	0.0

特性参数 Parameter

空载点 (Unload) :	最大转矩点 (Max_Torque)	最大效率点 (Max_Efficiency)	最大输出功率点 (Max_Pout)
转速 (n) = 4518 (rpm)	转矩 (M) = 6.330 (N.m)	效率 (Eff) = 72.46 (%)	效率 (Eff) = 70.46 (%)
电流 (I) = 17.380 (A)	电流 (I) = 105.930 (A)	转速 (n) = 3060 (rpm)	转速 (n) = 2709 (rpm)
	转速 (n) = 2709 (rpm)	转矩 (M) = 4.240 (N.m)	转矩 (M) = 6.330 (N.m)
	效率 (Eff) = 70.46 (%)	电流 (I) = 78.330 (A)	电流 (I) = 105.930 (A)
	输出功率 (P2) = 1795.60 (W)	输出功率 (P2) = 1358.60 (W)	输出功率 (P2) = 1795.60 (W)

ZD1200

外形尺寸图 Outline Dimension

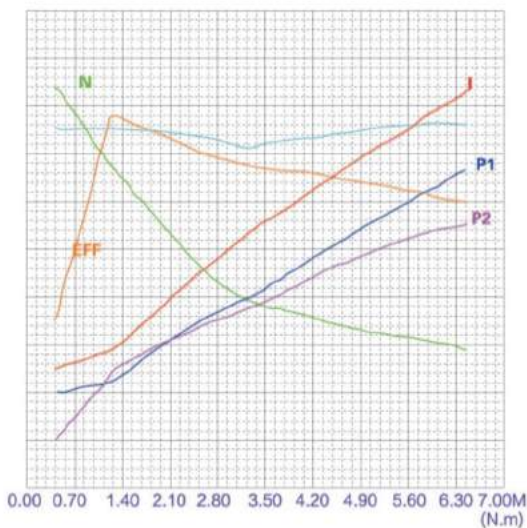


型号/Type	电压/Voltage	功率/Power	转速/Speed	转向/Rotation	外径/O.D
ZD1200	12V	1.6KW	2500RPM	CW/顺时针	114mm

电机负载特性曲线 Outline Dimension

客户名称/Customer		额定电压/Voltage	12(V)
电机型号/NO	ZD1200	额定功率/Power Rated	1.6KW
电机编号/Number	5	额定转速/Speed Rated	2350R/MIN
测试人员/Tester	6	测试日期/Test Date	2016-04-28

U(V)	I(A)	n(rpm)
16.00	265.0	8178
14.40	238.5	7360.2
12.80	212.0	6542.4
11.20	185.5	5724.6
9.60	159.0	4906.8
8.00	132.5	4089
6.40	106.0	3271.2
4.80	79.5	2453.4
3.20	53.0	1635.6
1.60	26.5	817.8
0.00	0.0	0



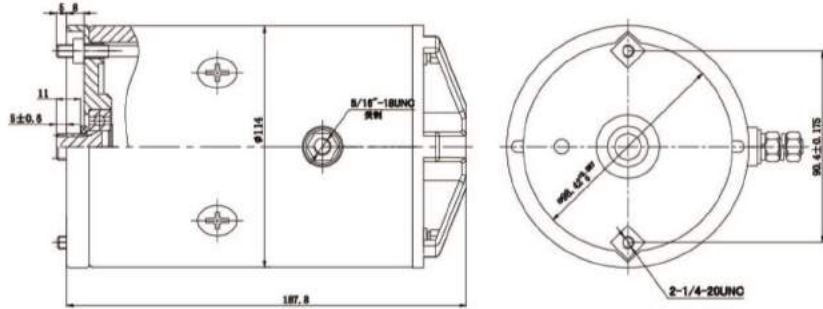
P1(W)	P2(W)	EFF(%)
4013	2855	100.0
3612	2570	90.0
3210	2284	80.0
2809	1999	70.0
2408	1713	60.0
2007	1428	50.0
1605	1142	40.0
1204	857	30.0
803	571	20.0
401	286	10.0
0	0	0.0

特性参数 Parameter

空载点 (Unload) :	最大转矩点 (Max_Torque)	最大效率点 (Max_Efficiency)	最大输出功率点 (Max_Pout)
转速 (n) = 6815 (rpm)	转矩 (M) = 6.390 (N.m)	效率 (Eff) = 77.63 (%)	效率 (Eff) = 59.22 (%)
电流 (I) = 66.300 (A)	电流 (I) = 219.910 (A)	转速 (n) = 5472 (rpm)	转速 (n) = 2356 (rpm)
	转速 (n) = 2356 (rpm)	转矩 (M) = 1.220 (N.m)	转矩 (M) = 6.390 (N.m)
	效率 (Eff) = 59.22 (%)	电流 (I) = 75.360 (A)	电流 (I) = 219.910 (A)
	输出功率 (P2) = 1575.20 (W)	输出功率 (P2) = 699.00 (W)	输出功率 (P2) = 1575.20 (W)

ZD1201

外形尺寸图 Outline Dimension

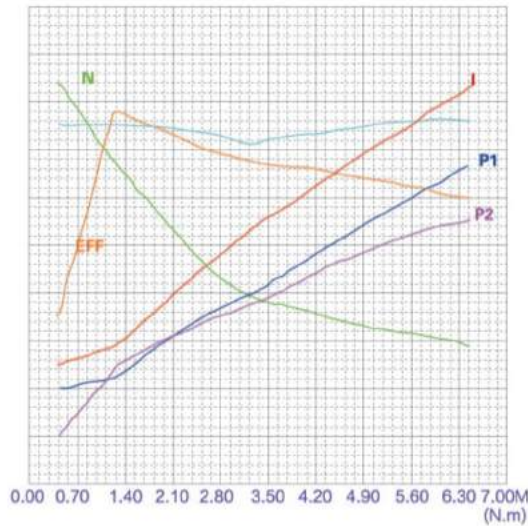


型号/Type	电压/Voltage	功率/Power	转速/Speed	转向/Rotation	外径/O.D
ZD1201	12V	1.6KW	2500RPM	CW/顺时针	114mm

电机负载特性曲线 Outline Dimension

客户名称/Customer	额定电压/Voltage	12(V)
电机型号/NO	额定功率/Power Rated	1.6KW
电机编号/Number	额定转速/Speed Rated	2350R/MIN
测试人员/Tester	测试日期/Test Date	2016-04-28

U(V)	I(A)	n(rpm)
16.00	265.0	8178
14.40	238.5	7360.2
12.80	212.0	6542.4
11.20	185.5	5724.6
9.60	159.0	4906.8
8.00	132.5	4089
6.40	106.0	3271.2
4.80	79.5	2453.4
3.20	53.0	1635.6
1.60	26.5	817.8
0.00	0.0	0



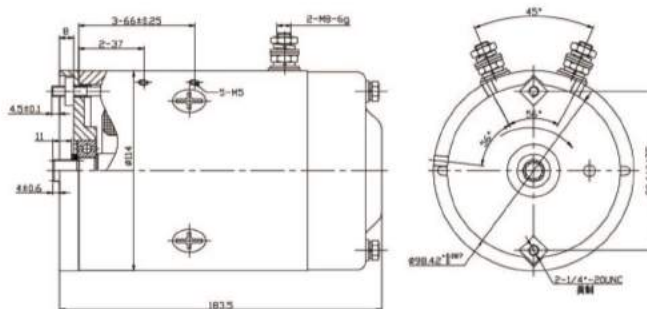
P1(W)	P2(W)	EFF(%)
4013	2855	100.0
3612	2570	90.0
3210	2284	80.0
2809	1999	70.0
2408	1713	60.0
2007	1428	50.0
1605	1142	40.0
1204	857	30.0
803	571	20.0
401	286	10.0
0	0	0.0

特性参数 Parameter

空载点 (Unload) :	最大转矩点 (Max_Torque)	最大效率点 (Max_Efficiency)	最大输出功率点 (Max_Pout)
转速 (n) = 6815 (rpm)	转矩 (M) = 6.390 (N.m)	效率 (Eff) = 77.63 (%)	效率 (Eff) = 59.22 (%)
电流 (I) = 66.300 (A)	电流 (I) = 219.910 (A)	转速 (n) = 5472 (rpm)	转速 (n) = 2356 (rpm)
	转速 (n) = 2356 (rpm)	转矩 (M) = 1.220 (N.m)	转矩 (M) = 6.390 (N.m)
	效率 (Eff) = 59.22 (%)	电流 (I) = 75.360 (A)	电流 (I) = 219.910 (A)
	输出功率 (P2) = 1575.20 (W)	输出功率 (P2) = 699.00 (W)	输出功率 (P2) = 1575.20 (W)

ZD4201

外形尺寸图 Outline Dimension

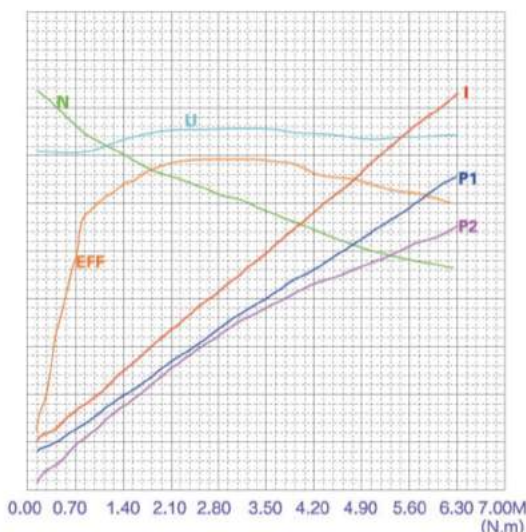


型号/Type	电压/Voltage	功率/Power	转速/Speed	转向/Rotation	外径/O.D
ZD4201	48V	2.0KW	2700RPM	CW/顺时针	114mm

电机负载特性曲线 Outline Dimension

客户名称/Customer		额定电压/Voltage	48(V)
电机型号/NO	ZD4201	额定功率/Power Rated	2.0KW
电机编号/Number	1	额定转速/Speed Rated	2700R/MIN
测试人员/Tester	6	测试日期/Test Date	2016-05-28

U(V)	I(A)	n(rpm)
65.00	81.0	6410
58.50	72.9	5769
52.00	64.8	5128
45.50	56.7	4487
39.00	48.6	3846
32.50	40.5	3205
26.00	32.4	2564
19.50	24.3	1923
13.00	16.2	1282
6.50	8.1	641
0.00	0.0	0



P1(W)	P2(W)	EFF(%)
4877	3491	100.0
4389	3142	90.0
3902	2793	80.0
3414	2444	70.0
2926	2095	60.0
2439	1746	50.0
1951	1396	40.0
1463	1047	30.0
975	698	20.0
488	349	10.0
0	0	0.0

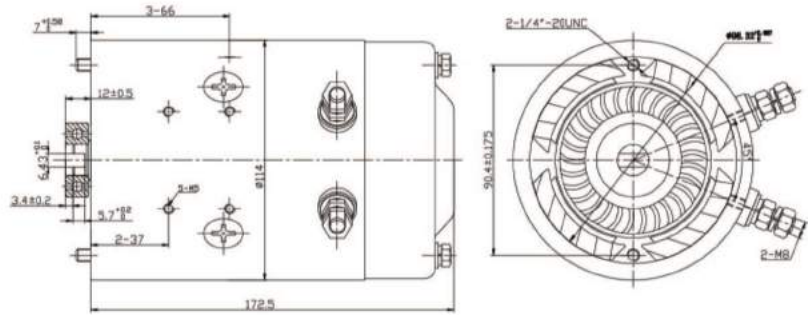
特性参数 Parameter

空载点 (Unload) :	最大转矩点 (Max_Torque)	最大效率点 (Max_Efficiency)	最大输出功率点 (Max_Pout)
转速 (n) = 5342 (rpm)	转矩 (M) = 6.230 (N.m)	效率 (Eff) = 68.89 (%)	效率 (Eff) = 59.78 (%)
电流 (I) = 8.314 (A)	电流 (I) = 67.200 (A)	转速 (n) = 3879 (rpm)	转速 (n) = 2949 (rpm)
	转速 (n) = 2949 (rpm)	转矩 (M) = 2.970 (N.m)	转矩 (M) = 6.230 (N.m)
	效率 (Eff) = 59.78 (%)	电流 (I) = 35.790 (A)	电流 (I) = 67.200 (A)
	输出功率 (P2) = 1923.00 (W)	输出功率 (P2) = 1208.00 (W)	输出功率 (P2) = 1923.00 (W)



ZD4201A

外形尺寸图 Outline Dimension

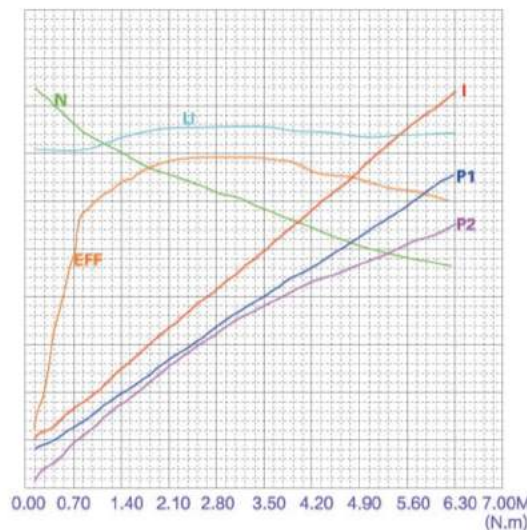


型号/Type	电压/Voltage	功率/Power	转速/Speed	转向/Rotation	外径/O.D
ZD4201A	48V	2.0KW	2700RPM	CCW/逆时针	114mm

电机负载特性曲线 Outline Dimension

客户名称/Customer	额定电压/Voltage	48(V)
电机型号/NO	额定功率/Power Rated	2.0KW
电机编号/Number	额定转速/Speed Rated	2700R/MIN
测试人员/Tester	测试日期/Test Date	2016-05-28

U(V)	I(A)	n(rpm)
65.00	81.0	6410
58.50	72.9	5769
52.00	64.8	5128
45.50	56.7	4487
39.00	48.6	3846
32.50	40.5	3205
26.00	32.4	2564
19.50	24.3	1923
13.00	16.2	1282
6.50	8.1	641
0.00	0.0	0



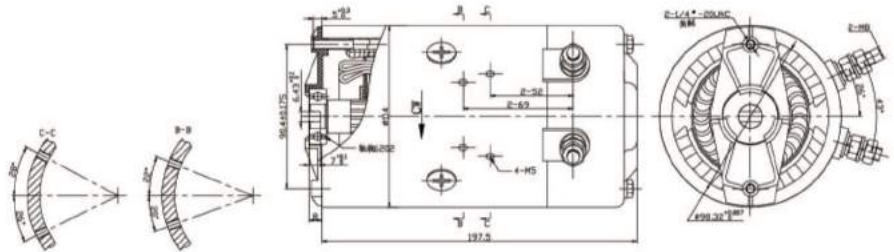
P1(W)	P2(W)	EFF(%)
4877	3491	100.0
4389	3142	90.0
3902	2793	80.0
3414	2444	70.0
2926	2095	60.0
2439	1746	50.0
1951	1396	40.0
1463	1047	30.0
975	698	20.0
488	349	10.0
0	0	0.0

特性参数 Parameter

空载点 (Unload) :	最大转矩点 (Max_Torque)	最大效率点 (Max_Efficiency)	最大输出功率点 (Max_Pout)
转速 (n) = 5342 (rpm)	转矩 (M) = 6.230 (N.m)	效率 (Eff) = 68.89 (%)	效率 (Eff) = 59.78 (%)
电流 (I) = 8.314 (A)	电流 (I) = 67.200 (A)	转速 (n) = 3879 (rpm)	转速 (n) = 2949 (rpm)
	转速 (n) = 2949 (rpm)	转矩 (M) = 2.970 (N.m)	转矩 (M) = 6.230 (N.m)
	效率 (Eff) = 59.78 (%)	电流 (I) = 35.790 (A)	电流 (I) = 67.200 (A)
	输出功率 (P2) = 1923.00 (W)	输出功率 (P2) = 1208.00 (W)	输出功率 (P2) = 1923.00 (W)

ZD12250 ZD24250

外形尺寸图 Outline Dimension



型号/Type	电压/Voltage	功率/Power	转速/Speed	转向/Rotation	外径/O.D
ZD12250	12V	2.2KW	2800RPM	CW/顺时针	114mm
ZD24250	24V	2.5KW	3000R/MIN	CW/顺时针	114mm

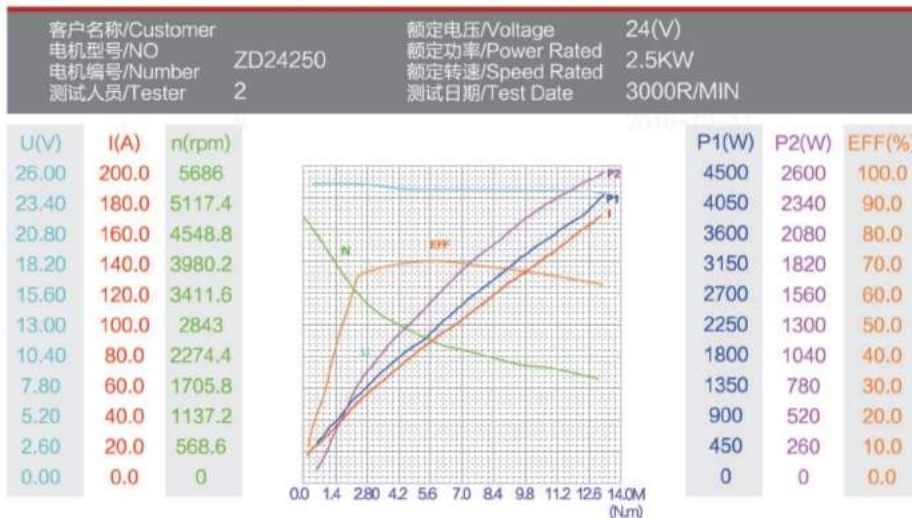
电机负载特性曲线 Motor Load Characteristic Curve



特性参数 Parameter

起始点 (Unload) :	转速 (n)	电流 (I)
	= 3954 (rpm)	= 106.520 (A)
最大转矩点 (Max_Torque)	转矩 (M) = 6.860 (N.m)	电流 (I) = 274.810 (A)
	转速 (n) = 2070 (rpm)	效率 (Eff) = 44.72 (%)
	输出功率 (P2) = 1487.30 (W)	
最大效率点 (Max_Efficiency)	效率 (Eff) = 57.66 (%)	转速 (n) = 2642 (rpm)
	转矩 (M) = 4.970 (N.m)	电流 (I) = 201.230 (A)
	输出功率 (P2) = 1374.40 (W)	
最大输出功率点 (Max_Pout)	效率 (Eff) = 44.72 (%)	转速 (n) = 2070 (rpm)
	转矩 (M) = 6.860 (N.m)	电流 (I) = 274.810 (A)
	输出功率 (P2) = 1487.30 (W)	

电机负载特性曲线 Motor Load Characteristic Curve

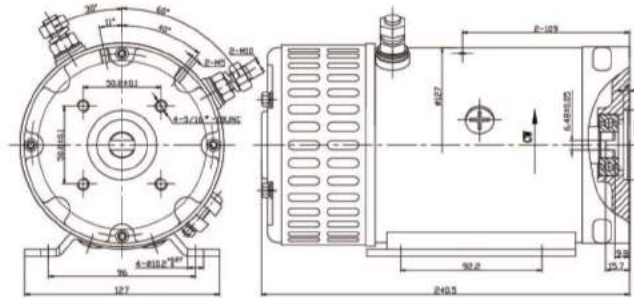


特性参数 Parameter

起始点 (Unload) :	转速 (n)	电流 (I)
	= 4738 (rpm)	= 16.190 (A)
最大转矩点 (Max_Torque)	转矩 (M) = 13.210 (N.m)	电流 (I) = 169.720 (A)
	转速 (n) = 1846 (rpm)	效率 (Eff) = 62.72 (%)
	输出功率 (P2) = 2553.60 (W)	
最大效率点 (Max_Efficiency)	效率 (Eff) = 69.55 (%)	转速 (n) = 2539 (rpm)
	转矩 (M) = 5.760 (N.m)	电流 (I) = 91.630 (A)
	输出功率 (P2) = 1532.40 (W)	
最大输出功率点 (Max_Pout)	效率 (Eff) = 62.72 (%)	转速 (n) = 1846 (rpm)
	转矩 (M) = 13.210 (N.m)	电流 (I) = 169.720 (A)
	输出功率 (P2) = 2553.60 (W)	

N3024

外形尺寸图 Outline Dimension

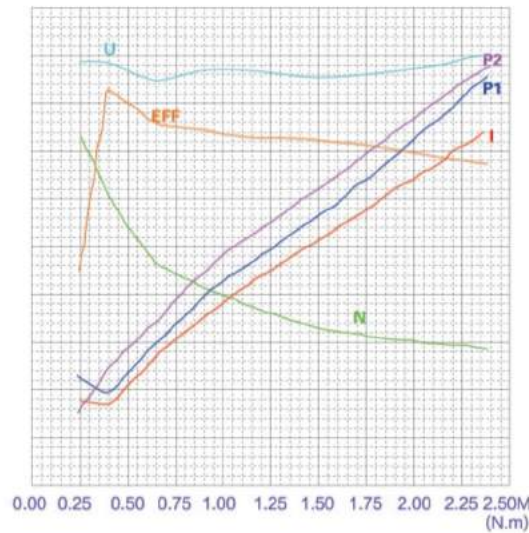


型号/Type	电压/Voltage	功率/Power	转速/Speed	转向/Rotation	外径/O.D
N3024	24V	3.0KW	3000RPM	CW/顺时针	127mm

电机负载特性曲线 Outline Dimension

客户名称/Customer	额定电压/Voltage	24(V)
电机型号/NO	额定功率/Power Rated	3.0KW
电机编号/Number	额定转速/Speed Rated	3100R/MIN
测试人员/Tester	测试日期/Test Date	2013-12-13

U(V)	I(A)	n(rpm)
27.00	280.0	8903
24.30	252.0	8012.7
21.60	224.0	7122.4
18.90	196.0	6232.1
16.20	168.0	5341.8
13.50	140.0	4451.5
10.80	112.0	3561.2
8.10	84.0	2670.9
5.40	56.0	1780.6
2.70	28.0	890.3
0.00	0.0	0



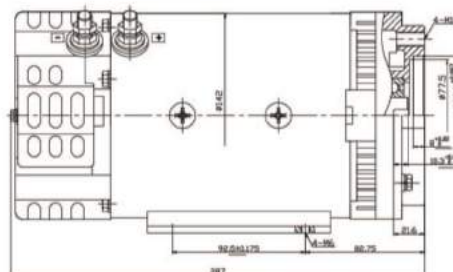
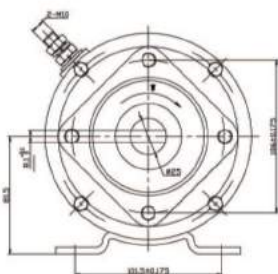
P1(W)	P2(W)	EFF(%)
5992	4000	100.0
5393	3600	90.0
4794	3200	80.0
4194	2800	70.0
3595	2400	60.0
2996	2000	50.0
2397	1600	40.0
1798	1200	30.0
1198	800	20.0
599	400	10.0
0	0	0.0

特性参数 Parameter

空载点 (Unload) :	最大转矩点 (Max_Torque)	最大效率点 (Max_Efficiency)	最大输出功率点 (Max_Pout)
转速 (n) = 5524 (rpm)	转矩 (M) = 13.020 (N.m)	效率 (Eff) = 84.69 (%)	效率 (Eff) = 68.20 (%)
电流 (I) = 49.230 (A)	电流 (I) = 212.750 (A)	转速 (n) = 5524 (rpm)	转速 (n) = 2620 (rpm)
	转速 (n) = 2620 (rpm)	转矩 (M) = 1.750 (N.m)	转矩 (M) = 13.020 (N.m)
	效率 (Eff) = 68.20 (%)	电流 (I) = 49.230 (A)	电流 (I) = 212.750 (A)
	输出功率 (P2) = 3571.90 (W)	输出功率 (P2) = 1009.90 (W)	输出功率 (P2) = 3571.90 (W)

XQD-3C

外形尺寸图 Outline Dimension

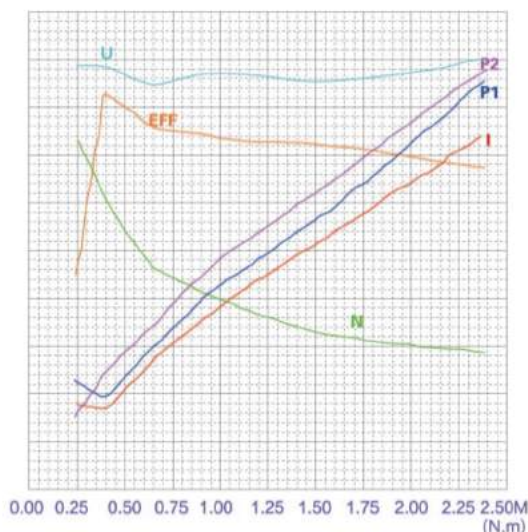


型号/Type	电压/Voltage	功率/Power	转速/Speed	转向/Rotation	外径/O.D
XQD-3C	24V	4.0KW	3100RPM	CW/顺时针	142mm

电机负载特性曲线 Outline Dimension

客户名称/Customer		额定电压/Voltage	24(V)
电机型号/NO	XQD-3C	额定功率/Power Rated	4.0KW
电机编号/Number	11	额定转速/Speed Rated	3100R/MIN
测试人员/Tester	6	测试日期/Test Date	2013-12-13

U(V)	I(A)	n(rpm)
27.00	280.0	8903
24.30	252.0	8012.7
21.60	224.0	7122.4
18.90	196.0	6232.1
16.20	168.0	5341.8
13.50	140.0	4451.5
10.80	112.0	3561.2
8.10	84.0	2670.9
5.40	56.0	1780.6
2.70	28.0	890.3
0.00	0.0	0



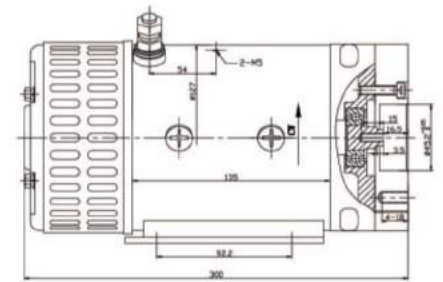
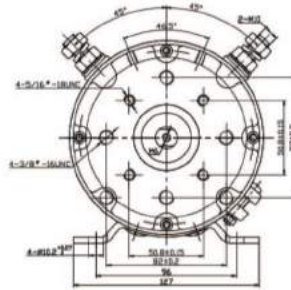
P1(W)	P2(W)	EFF(%)
5992	4000	100.0
5393	3600	90.0
4794	3200	80.0
4194	2800	70.0
3595	2400	60.0
2996	2000	50.0
2397	1600	40.0
1798	1200	30.0
1198	800	20.0
599	400	10.0
0	0	0.0

特性参数 Parameter

空载点 (Unload) :	最大转矩点 (Max_Torque)	最大效率点 (Max_Efficiency)	最大输出功率点 (Max_Pout)
转速 (n) = 5524 (rpm)	转矩 (M) = 13.020 (N.m)	效率 (Eff) = 84.69 (%)	效率 (Eff) = 68.20 (%)
电流 (I) = 49.230 (A)	电流 (I) = 212.750 (A)	转速 (n) = 5524 (rpm)	转速 (n) = 2620 (rpm)
	转速 (n) = 2620 (rpm)	转矩 (M) = 1.750 (N.m)	转矩 (M) = 13.020 (N.m)
	效率 (Eff) = 68.20 (%)	电流 (I) = 49.230 (A)	电流 (I) = 212.750 (A)
	输出功率 (P2) = 3571.90 (W)	输出功率 (P2) = 1009.90 (W)	输出功率 (P2) = 3571.90 (W)

ZD2371

外形尺寸图 Outline Dimension

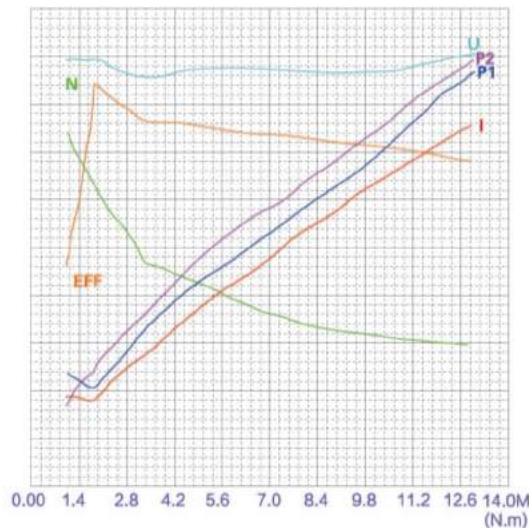


型号/Type	电压/Voltage	功率/Power	转速/Speed	转向/Rotation	外径/O.D
ZD2371	24V	4.0KW	3100RPM	CW/顺时针	127mm

电机负载特性曲线 Outline Dimension

客户名称/Customer	电机型号/NO	电机编号/Number	测试人员/Tester	额定电压/Voltage	额定功率/Power Rated	额定转速/Speed Rated	测试日期/Test Date
	ZD2371	11	6	24(V)	4.0KW	3100R/MIN	2013-12-13

U(V)	I(A)	n(rpm)
27.00	280.0	8903
24.30	252.0	8012.7
21.60	224.0	7122.4
18.90	196.0	6232.1
16.20	168.0	5341.8
13.50	140.0	4451.5
10.80	112	3561.2
8.10	84.0	2670.9
5.40	56.0	1780.6
2.70	28.0	890.3
0.00	0.0	0



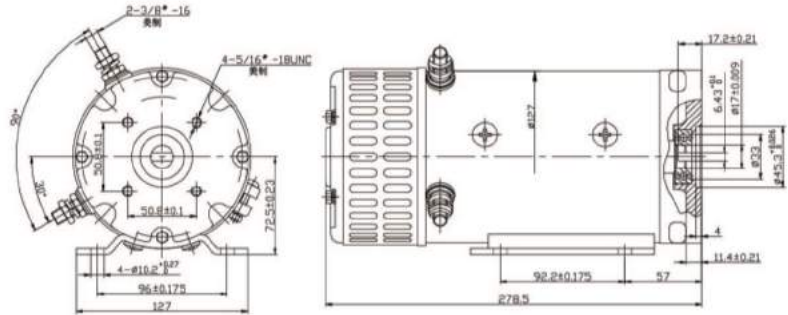
P1(W)	P2(W)	EFF(%)
5992	4000	100.0
5393	3600	90.0
4794	3200	80.0
4194	2800	70.0
3595	2400	60.0
2996	2000	50.0
2397	1600	40.0
1798	1200	30.0
1198	800	20.0
599	400	10.0
0	0	0.0

特性参数 Parameter

空载点 (Unload) :		最大转矩点 (Max_Torque)		最大效率点 (Max_Efficiency)		最大输出功率点 (Max_Pout)	
转速 (n)	= 5524 (rpm)	转矩 (M)	= 13.020 (N.m)	效率 (Eff)	= 84.69 (%)	效率 (Eff)	= 68.20 (%)
电流 (I)	= 49.230 (A)	电流 (I)	= 212.750 (A)	转速 (n)	= 5524 (rpm)	转速 (n)	= 2620 (rpm)
		转速 (n)	= 2620 (rpm)	转矩 (M)	= 1.750 (N.m)	转矩 (M)	= 13.020 (N.m)
		效率 (Eff)	= 68.20 (%)	电流 (I)	= 49.230 (A)	电流 (I)	= 212.750 (A)
		输出功率 (P2)	= 3571.90 (W)	输出功率 (P2)	= 1009.90 (W)	输出功率 (P2)	= 3571.90 (W)

ZD2973

外形尺寸图 Outline Dimension

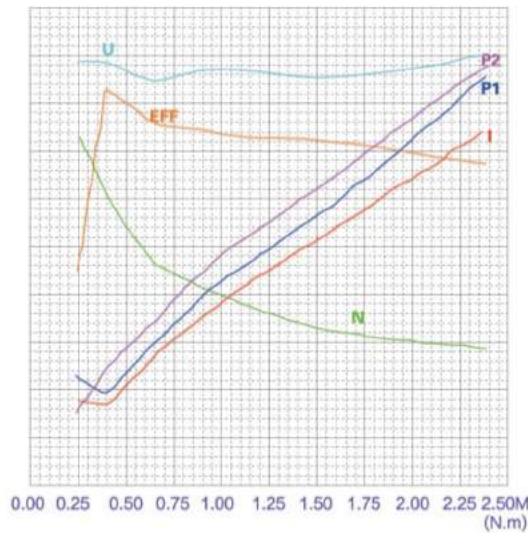


型号/Type	电压/Voltage	功率/Power	转速/Speed	转向/Rotation	外径/O.D
ZD2973	24V	4.0KW	3100RPM	CW/顺时针	127mm

电机负载特性曲线 Outline Dimension

客户名称/Customer	额定电压/Voltage	24(V)
电机型号/NO	额定功率/Power Rated	4.0KW
电机编号/Number	额定转速/Speed Rated	3100R/MIN
测试人员/Tester	测试日期/Test Date	2013-12-13

U(V)	I(A)	n(rpm)
27.00	280.0	8903
24.30	252.0	8012.7
21.60	224.0	7122.4
18.90	196.0	6232.1
16.20	168.0	5341.8
13.50	140.0	4451.5
10.80	112.0	3561.2
8.10	84.0	2670.9
5.40	56.0	1780.6
2.70	28.0	890.3
0.00	0.0	0



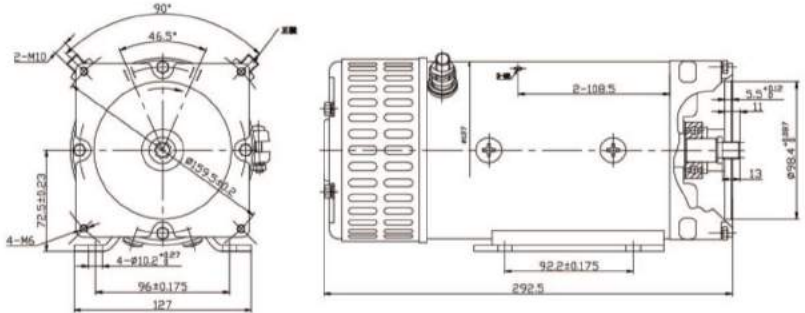
P1(W)	P2(W)	EFF(%)
5992	4000	100.0
5393	3600	90.0
4794	3200	80.0
4194	2800	70.0
3595	2400	60.0
2996	2000	50.0
2397	1600	40.0
1798	1200	30.0
1198	800	20.0
599	400	10.0
0	0	0.0

特性参数 Parameter

空载点 (Unload) :	最大转矩点 (Max_Torque)	最大效率点 (Max_Efficiency)	最大输出功率点 (Max_Pout)
转速 (n) = 5524 (rpm)	转矩 (M) = 13.020 (N.m)	效率 (Eff) = 84.69 (%)	效率 (Eff) = 68.20 (%)
电流 (I) = 49.230 (A)	电流 (I) = 212.750 (A)	转速 (n) = 5524 (rpm)	转速 (n) = 2620 (rpm)
	转速 (n) = 2620 (rpm)	转矩 (M) = 1.750 (N.m)	转矩 (M) = 13.020 (N.m)
	效率 (Eff) = 68.20 (%)	电流 (I) = 49.230 (A)	电流 (I) = 212.750 (A)
	输出功率 (P2) = 3571.90 (W)	输出功率 (P2) = 1009.90 (W)	输出功率 (P2) = 3571.90 (W)

ZD2973A

外形尺寸图 Outline Dimension

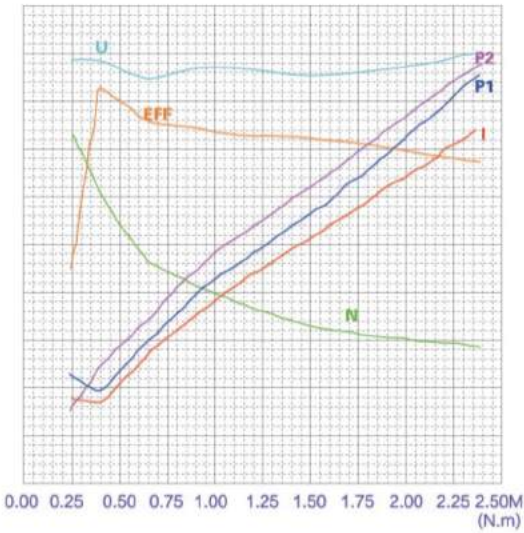


型号/Type	电压/Voltage	功率/Power	转速/Speed	转向/Rotation	外径/O.D
ZD2973A	24V	4.0KW	3100RPM	CW/顺时针	127mm

电机负载特性曲线 Outline Dimension

客户名称/Customer	额定电压/Voltage	24(V)
电机型号/NO	额定功率/Power Rated	4.0KW
电机编号/Number	额定转速/Speed Rated	3100R/MIN
测试人员/Tester	测试日期/Test Date	2013-12-13

U(V)	I(A)	n(rpm)
27.00	280.0	8903
24.30	252.0	8012.7
21.60	224.0	7122.4
18.90	196.0	6232.1
16.20	168.0	5341.8
13.50	140.0	4451.5
10.80	112.0	3561.2
8.10	84.0	2670.9
5.40	56.0	1780.6
2.70	28.0	890.3
0.00	0.0	0



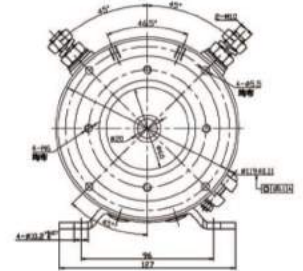
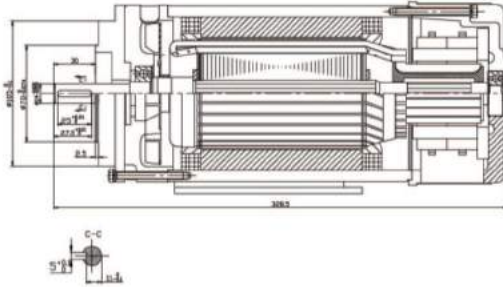
P1(W)	P2(W)	EFF(%)
5992	4000	100.0
5393	3600	90.0
4794	3200	80.0
4194	2800	70.0
3595	2400	60.0
2996	2000	50.0
2397	1600	40.0
1798	1200	30.0
1198	800	20.0
599	400	10.0
0	0	0.0

特性参数 Parameter

空载点 (Unload) :	最大转矩点 (Max_Torque)	最大效率点 (Max_Efficiency)	最大输出功率点 (Max_Pout)
转速 (n) = 5524 (rpm)	转矩 (M) = 13.020 (N.m)	效率 (Eff) = 84.69 (%)	效率 (Eff) = 68.20 (%)
电流 (I) = 49.230 (A)	电流 (I) = 212.750 (A)	转速 (n) = 5524 (rpm)	转速 (n) = 2620 (rpm)
	转速 (n) = 2620 (rpm)	转矩 (M) = 1.750 (N.m)	转矩 (M) = 13.020 (N.m)
	效率 (Eff) = 68.20 (%)	电流 (I) = 49.230 (A)	电流 (I) = 212.750 (A)
	输出功率 (P2) = 3571.90 (W)	输出功率 (P2) = 1009.90 (W)	输出功率 (P2) = 3571.90 (W)

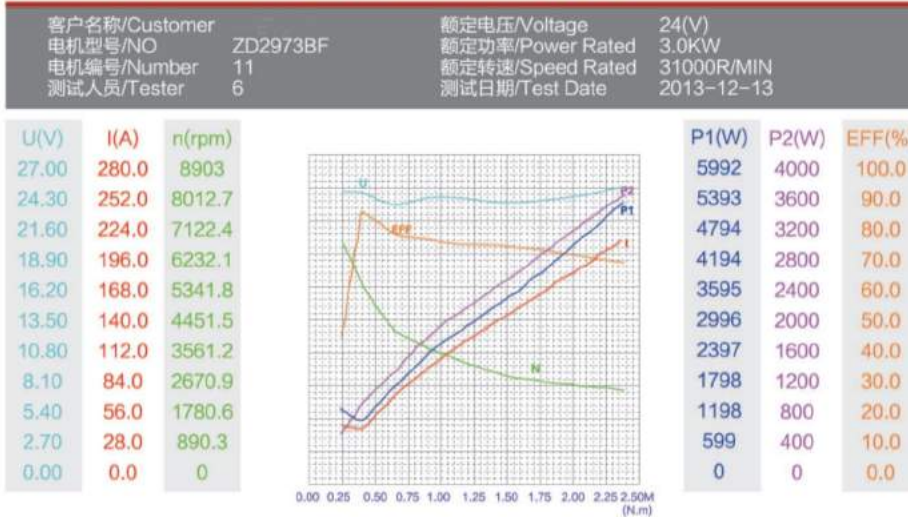
ZD2973BF ZD1973BF

外形尺寸图 Outline Dimension



型号/Type	电压/Voltage	功率/Power	转速/Speed	转向/Rotation	外径/O.D
ZD2973BF	24V	3.0KW	3000RPM	CCW/逆时针	127mm
ZD1973BF	12V	3.0KW	3000RPM	CCW/逆时针	127mm

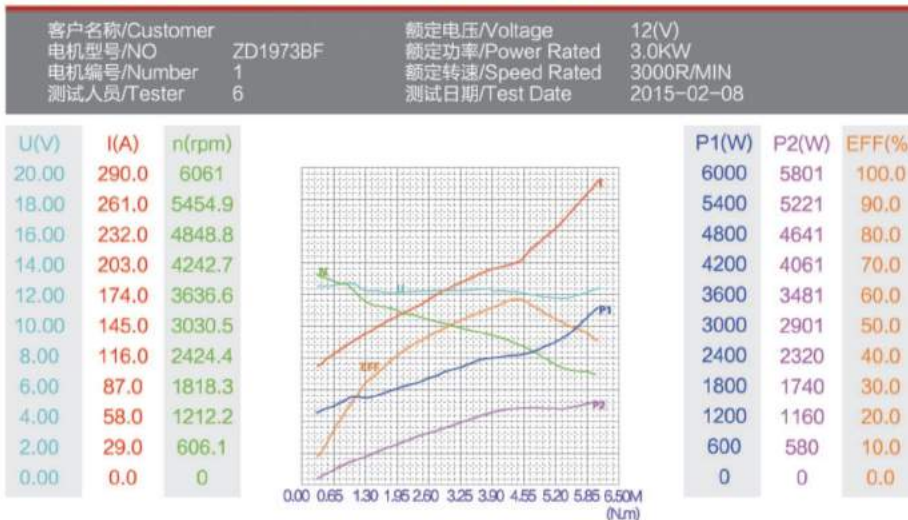
电机负载特性曲线 Motor Load Characteristic Curve



特性参数 Parameter

起始点 (Unload) :	
转速 (n)	= 5524 (rpm)
电流 (I)	= 49.230 (A)
最大扭矩点 (Max_Torque)	
转矩 (M)	= 13.020 (N.m)
电流 (I)	= 212.750 (A)
转速 (n)	= 2620 (rpm)
效率 (Eff)	= 68.20 (%)
输出功率 (P2)	= 3571.90 (W)
最大效率点 (Max_Efficiency)	
效率 (Eff)	= 84.69 (%)
转速 (n)	= 5524 (rpm)
转矩 (M)	= 1.750 (N.m)
电流 (I)	= 49.230 (A)
输出功率 (P2)	= 1009.90 (W)
最大输出功率点 (Max_Pout)	
效率 (Eff)	= 68.20 (%)
转速 (n)	= 2620 (rpm)
转矩 (M)	= 13.020 (N.m)
电流 (I)	= 212.750 (A)
输出功率 (P2)	= 3571.90 (W)

电机负载特性曲线 Motor Load Characteristic Curve

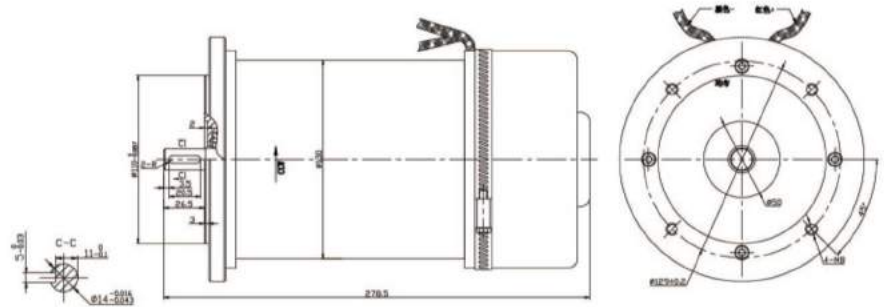


空载点 (Unload) :	
转速 (n)	= 3954 (rpm)
电流 (A)	= 106.520 (A)
最大扭矩点 (Max_Torque)	
转矩 (M)	= 6.860 (N.m)
电流 (I)	= 274.810 (A)
转速 (n)	= 2070 (rpm)
效率 (Eff)	= 44.72 (%)
输出功率 (P2)	= 1487.30 (W)
最大效率点 (Max_Efficiency)	
效率 (Eff)	= 57.66 (%)
转速 (n)	= 2642 (rpm)
转矩 (M)	= 4.970 (N.m)
电流 (I)	= 201.230 (A)
输出功率 (P2)	= 1374.40 (W)
最大输出功率点 (Max_Pout)	
效率 (Eff)	= 44.72 (%)
转速 (n)	= 2070 (rpm)
转矩 (M)	= 6.860 (N.m)
电流 (I)	= 274.810 (A)
输出功率 (P2)	= 1487.30 (W)

ZDY2480



外形尺寸图 Outline Dimension

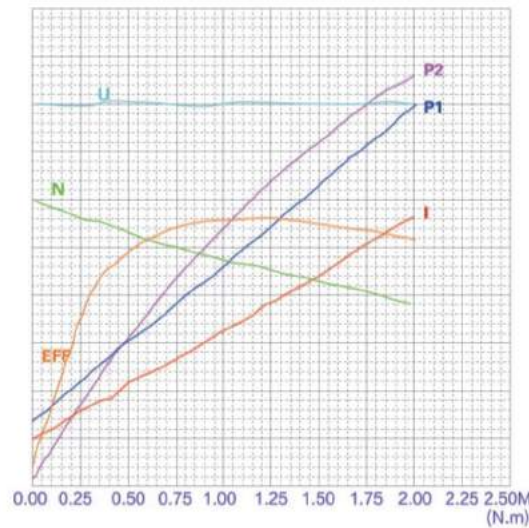


型号/Type	电压/Voltage	功率/Power	转速/Speed	转向/Rotation	外径/O.D
ZDY2480	24V	0.8KW	3000RPM	CCW/逆时针	130mm

电机负载特性曲线 Outline Dimension

客户名称/Customer	额定电压/Voltage	24(V)
电机型号/NO	额定功率/Power Rated	0.8KW
电机编号/Number	额定转速/Speed Rated	3000R/MIN
测试人员/Tester	测试日期/Test Date	2007-01-01

U(V)	I(A)	n(rpm)
30.00	100.0	8630
27.00	90.0	7767
24.00	80.0	6904
21.00	70.0	6041
18.00	60.0	5178
15.00	50.0	4315
12.00	40.0	3452
9.00	30.0	2589
6.00	20.0	1726
3.00	10.0	863
0.00	0.0	0



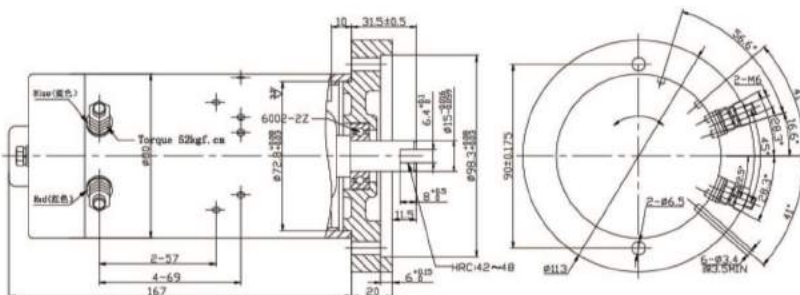
P1(W)	P2(W)	EFF(%)
1700	800	100.0
1530	720	90.0
1360	640	80.0
1190	560	70.0
1020	480	60.0
850	400	50.0
680	320	40.0
510	240	30.0
340	160	20.0
170	80	10.0
0	0	0.0

特性参数 Parameter

空载点 (Unload) :	最大转矩点 (Max_Torque)	最大效率点 (Max_Efficiency)	最大输出功率点 (Max_Pout)
转速 (n) = 5120 (rpm)	转矩 (M) = 2.024 (N.m)	效率 (Eff) = 55.58 (%)	效率 (Eff) = 50.78 (%)
电流 (I) = 9.310 (A)	电流 (I) = 56.230 (A)	转速 (n) = 4056 (rpm)	转速 (n) = 3242 (rpm)
	转速 (n) = 3242 (rpm)	转矩 (M) = 0.990 (N.m)	转矩 (M) = 2.024 (N.m)
	效率 (Eff) = 50.78 (%)	电流 (I) = 31.520 (A)	电流 (I) = 56.230 (A)
	输出功率 (P2) = 687.10 (W)	输出功率 (P2) = 420.50 (W)	输出功率 (P2) = 687.10 (W)

MA08XXN MB08XXN

外形尺寸图 Outline Dimension

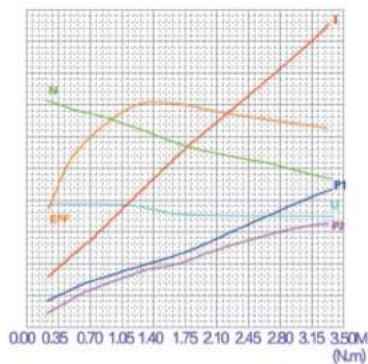


型号/Type	电压/Voltage	功率/Power	转速/Speed	转向/Rotation	外径/O.D
MA08XXN	12V	0.8KW	3200RPM	BI-DIRECTIONAL/双向	80mm
MB08XXN	24V	0.8KW	3200RPM	BI-DIRECTIONAL/双向	80mm

电机负载特性曲线 Motor Load Characteristic Curve

客户名称/Customer	电机型号/NO	电机编号/Number	测试人员/Tester	额定电压/Voltage	额定功率/Power Rated	额定转速/Speed Rated	测试日期/Test Date
	MA08XXN	1	6	12(V)	0.8KW (W)	3500R/MIN	2014-05-29

U(V)	I(A)	n(rpm)
34.00	170.0	7417
30.60	153.0	6675.3
27.20	136.0	5933.6
23.80	119.0	5191.9
20.40	102.0	4450.2
17.00	85.0	3708.5
13.60	68.0	2966.8
10.20	51.0	2225.1
6.80	34.0	1483.4
3.40	17.0	741.7
0.00	0.0	0



P1(W)	P2(W)	EFF(%)
4615	3720	100.0
4154	3348	90.0
3692	2976	80.0
3231	2640	70.0
2769	2232	60.0
2308	1860	50.0
1846	1488	40.0
1385	1116	30.0
923	744	20.0
462	372	10.0
0	0	0.0

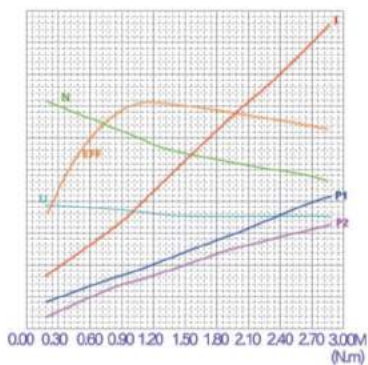
特性参数 Parameter

空载点 (Unload) :	
转速 (n)	= 5299 (rpm)
电流 (I)	= 26.970 (A)
最大扭矩点 (Max_Torque)	
转矩 (M)	= 3.350 (N.m)
电流 (I)	= 162.280 (A)
转速 (n)	= 3460 (rpm)
效率 (Eff)	= 62.85 (%)
输出功率 (P2)	= 1215.10 (W)
最大效率点 (Max_Efficiency)	
效率 (Eff)	= 71.11 (%)
转速 (n)	= 4278 (rpm)
转矩 (M)	= 1.320 (N.m)
电流 (I)	= 68.990 (A)
输出功率 (P2)	= 592.20 (W)
最大输出功率点 (Max_Pout)	
效率 (Eff)	= 62.85 (%)
转速 (n)	= 3460 (rpm)
转矩 (M)	= 3.350 (N.m)
电流 (I)	= 162.280 (A)
输出功率 (P2)	= 1215.10 (W)

电机负载特性曲线 Motor Load Characteristic Curve

客户名称/Customer	电机型号/NO	电机编号/Number	测试人员/Tester	无锡金乐汽车电机厂	额定电压/Voltage	额定功率/Power Rated	额定转速/Speed Rated	测试日期/Test Date
	MB08XXN	1	6		24(V)	0.8KW(W)	3200R/MIN	2016-04-01

U(V)	I(A)	n(rpm)
33.00	70.0	6109
29.70	63.0	5498.1
26.40	56.0	4887.2
23.10	49.0	4276.3
19.80	42.0	3665.4
16.50	35.0	3054.5
13.20	28.0	2443.6
9.90	21.0	1832.7
6.60	14.0	1221.8
3.30	7.0	610.9
0.00	0.0	0

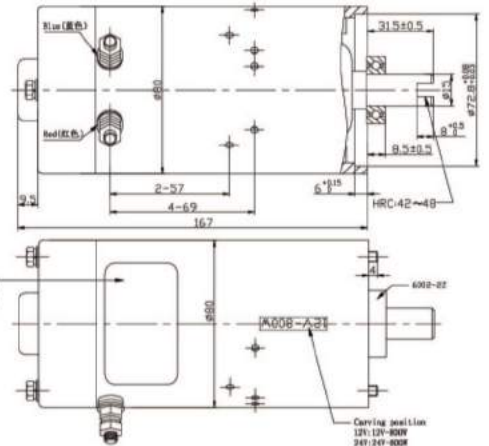
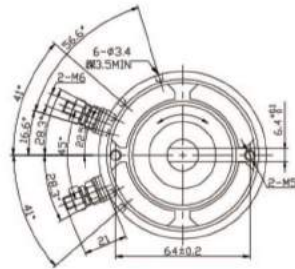


P1(W)	P2(W)	EFF(%)
2000	1500	100.0
1800	1350	90.0
1600	1200	80.0
1400	1050	70.0
1200	900	60.0
1000	750	50.0
800	600	40.0
600	450	30.0
400	300	20.0
200	150	10.0
0	0	0.0

空载点 (Unload) :	
转速 (n)	= 5091 (rpm)
电流 (A)	= 10.230 (A)
最大扭矩点 (Max_Torque)	
转矩 (M)	= 2.670 (N.m)
电流 (I)	= 64.340 (A)
转速 (n)	= 3639 (rpm)
效率 (Eff)	= 66.35 (%)
输出功率 (P2)	= 1017.40 (W)
最大效率点 (Max_Efficiency)	
效率 (Eff)	= 69.36 (%)
转速 (n)	= 4016 (rpm)
转矩 (M)	= 1.770 (N.m)
电流 (I)	= 44.200 (A)
输出功率 (P2)	= 744.30 (W)
最大输出功率点 (Max_Pout)	
效率 (Eff)	= 66.35 (%)
转速 (n)	= 3639 (rpm)
转矩 (M)	= 2.670 (N.m)
电流 (I)	= 64.340 (A)
输出功率 (P2)	= 1017.40 (W)

外形尺寸图 Outline Dimension

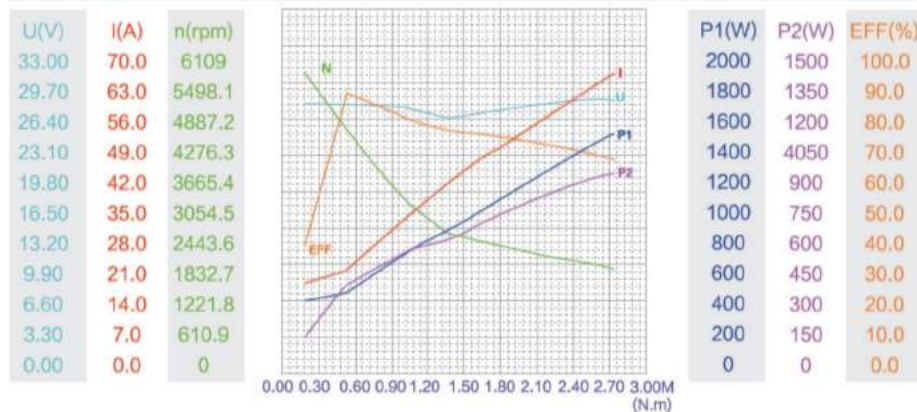
M108XXN M208XXN



型号/Type	电压/Voltage	功率/Power	转速/Speed	转向/Rotation	外径/Ø.D
M108XXN	12V	0.8KW	3200RPM	BI-DIRECTIONAL/双向	80mm
M208XXN	24V	0.8KW	3200RPM	BI-DIRECTIONAL/双向	80mm

电机负载特性曲线 Outline Dimension

客户名称/Customer	电机型号/Type	电机编号/Number	测试人员/Tester	额定电压/Voltage	额定功率/Power Rated	额定转速/Speed Rated	测试日期/Test Date
	M208XXN	1	6	24(V)	0.8KW	3200R/MIN	2016-04-01



特性参数 Parameter

起始点 (Unload) :

转速 (n)	=	5091 (rpm)
电流 (A)	=	10.230 (A)

最大转矩点 (Max_Torque)

转矩 (M)	=	2.670 (N.m)
电流 (I)	=	64.340 (A)
转速 (n)	=	3639 (rpm)
效率 (Eff)	=	66.35 (%)
输出功率 (P2)	=	1017.40 (W)

最大效率点 (Max_Efficiency)

效率 (Eff)	=	69.36 (%)
转速 (n)	=	4016 (rpm)
转矩 (M)	=	1.770 (N.m)
电流 (I)	=	44.200 (A)
输出功率 (P2)	=	744.30 (W)

最大输出功率点 (Max_Pout)

效率 (Eff)	=	66.35 (%)
转速 (n)	=	3639 (rpm)
转矩 (M)	=	2.670 (N.m)
电流 (I)	=	64.340 (A)
输出功率 (P2)	=	1017.40 (W)

电机负载特性曲线 Outline Dimension

客户名称/Customer	电机型号/NO	电机编号/Number	测试人员/Tester	额定电压/Voltage	额定功率/Power Rated	额定转速/Speed Rated	测试日期/Test Date
	M108XXN	1	6	12(V)	0.8KW(W)	3500R/MIN	2014-05-29



空载点 (Unload) :

转速 (n)	=	5299 (rpm)
电流 (A)	=	26.970 (A)

最大转矩点 (Max_Torque)

转矩 (M)	=	3.350 (N.m)
电流 (I)	=	162.280 (A)
转速 (n)	=	3460 (rpm)
效率 (Eff)	=	62.85 (%)
输出功率 (P2)	=	1215.10 (W)

最大效率点 (Max_Efficiency)

效率 (Eff)	=	71.11 (%)
转速 (n)	=	4278 (rpm)
转矩 (M)	=	1.320 (N.m)
电流 (I)	=	68.990 (A)
输出功率 (P2)	=	592.20 (W)

最大输出功率点 (Max_Pout)

效率 (Eff)	=	62.85 (%)
转速 (n)	=	3460 (rpm)
转矩 (M)	=	3.350 (N.m)
电流 (I)	=	162.280 (A)
输出功率 (P2)	=	1215.10 (W)

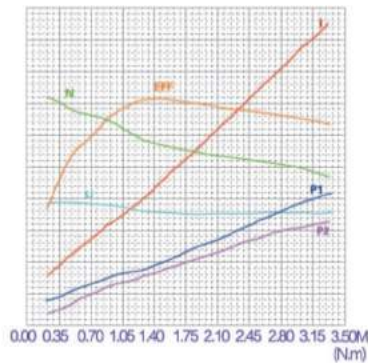
ZDY118 ZDY218 ZDY418 ZDY618



电机负载特性曲线 Motor Load Characteristic Curve

客户名称/Customer	ZDY118	额定电压/Voltage	12(V)
电机型号/NO	1	额定功率/Power Rated	1.2KW (W)
电机编号/Number	6	额定转速/Speed Rated	3500R/MIN
测试人员/Tester		测试日期/Test Date	2014-05-29

U(V)	I(A)	n(rpm)
34.00	170.0	7417
30.60	153.0	6675.3
27.20	136.0	5933.6
23.80	119.0	5191.9
20.40	102.0	4450.2
17.00	85.0	3708.5
13.60	68.0	2966.8
10.20	51.0	2225.1
6.80	34.0	1483.4
3.40	17.0	741.7
0.00	0.0	0



P1(W)	P2(W)	EFF(%)
4615	3720	100.0
4154	3348	90.0
3692	2976	80.0
3231	2604	70.0
2769	2232	60.0
2308	1860	50.0
1846	1488	40.0
1385	1116	30.0
923	744	20.0
462	372	10.0
0	0	0.0

特性参数 Parameter

起始点 (Unload) :

转速 (n)	=	5299 (rpm)
电流 (I)	=	26.970 (A)

最大转矩点 (Max_Torque)

转矩 (M)	=	3.350 (N.m)
电流 (I)	=	162.280 (A)
转速 (n)	=	3460 (rpm)
效率 (Eff)	=	62.85 (%)
输出功率 (P2)	=	1215.10 (W)

最大效率点 (Max_Efficiency)

效率 (Eff)	=	71.11 (%)
转速 (n)	=	4278 (rpm)
转矩 (M)	=	1.320 (N.m)
电流 (I)	=	68.990 (A)
输出功率 (P2)	=	592.20 (W)

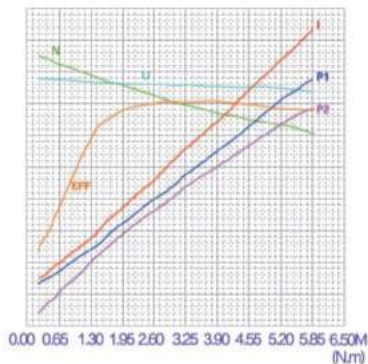
最大输出功率点 (Max_Pout)

效率 (Eff)	=	62.85 (%)
转速 (n)	=	3460 (rpm)
转矩 (M)	=	3.350 (N.m)
电流 (I)	=	162.280 (A)
输出功率 (P2)	=	1215.10 (W)

电机负载特性曲线 Motor Load Characteristic Curve

客户名称/Customer	ZDY218	额定电压/Voltage	24(V)
电机型号/NO	1	额定功率/Power Rated	1.2KW
电机编号/Number	6	额定转速/Speed Rated	3200R/MIN
测试人员/Tester		测试日期/Test Date	2016-04-01

U(V)	I(A)	n(rpm)
33.00	70.0	6109
29.70	63.0	5498.1
26.40	56.0	4887.2
23.10	49.0	4276.3
19.80	42.0	3665.4
16.50	35.0	3054.5
13.20	28.0	2443.6
9.90	21.0	1832.7
6.60	14.0	1221.8
3.30	7.0	610.9
0.00	0.0	0



P1(W)	P2(W)	EFF(%)
2000	1500	100.0
1800	1350	90.0
1600	1200	80.0
1400	1050	70.0
1200	900	60.0
1000	750	50.0
800	600	40.0
600	450	30.0
400	300	20.0
200	150	10.0
0	0	0.0

空载点 (Unload) :

转速 (n)	=	5097 (rpm)
电流 (A)	=	10.230 (A)

最大转矩点 (Max_Torque)

转矩 (M)	=	2.670 (N.m)
电流 (I)	=	64.340 (A)
转速 (n)	=	3639 (rpm)
效率 (Eff)	=	66.35 (%)
输出功率 (P2)	=	1017.40 (W)

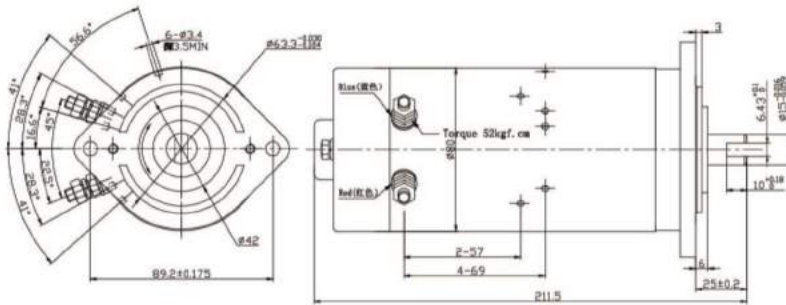
最大效率点 (Max_Efficiency)

效率 (Eff)	=	69.36 (%)
转速 (n)	=	4016 (rpm)
转矩 (M)	=	1.770 (N.m)
电流 (I)	=	44.200 (A)
输出功率 (P2)	=	744.30 (W)

最大输出功率点 (Max_Pout)

效率 (Eff)	=	66.35 (%)
转速 (n)	=	3639 (rpm)
转矩 (M)	=	2.670 (N.m)
电流 (I)	=	64.340 (A)
输出功率 (P2)	=	1017.40 (W)

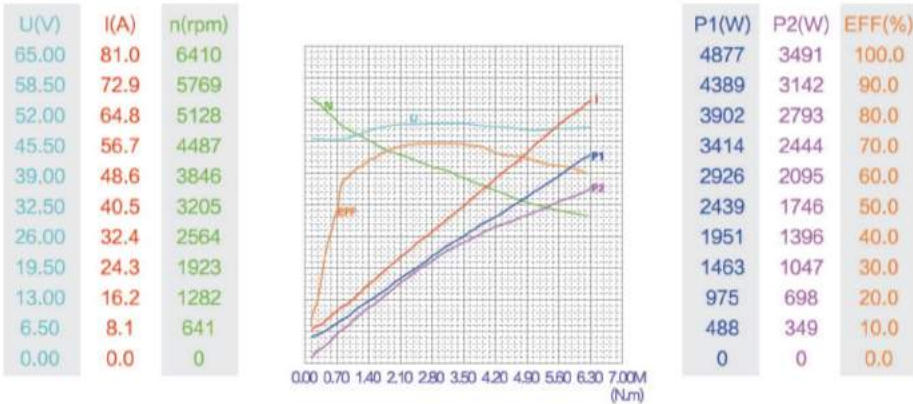
外形尺寸图 Outline Dimension



型号/Type	电压/Voltage	功率/Power	转速/Speed	转向/Rotation	外径/O.D
ZDY118	12V	1.2KW	3200RPM	CW/顺时针	80mm
ZDY218	24V	1.2KW	3200RPM	CW/顺时针	80mm
ZDY418	48V	0.8KW	3200RPM	CW/顺时针	80mm
ZDY618	60V	0.8KW	3200RPM	CW/顺时针	80mm

电机负载特性曲线 Motor Load Characteristic Curve

客户名称/Customer		额定电压/Voltage	48(V)
电机型号/Type	ZDY418	额定功率/Power Rated	2.0KW
电机编号/Number	1	额定转速/Speed Rated	2700R/MIN
测试人员/Tester	6	测试日期/Test Date	2016-05-28

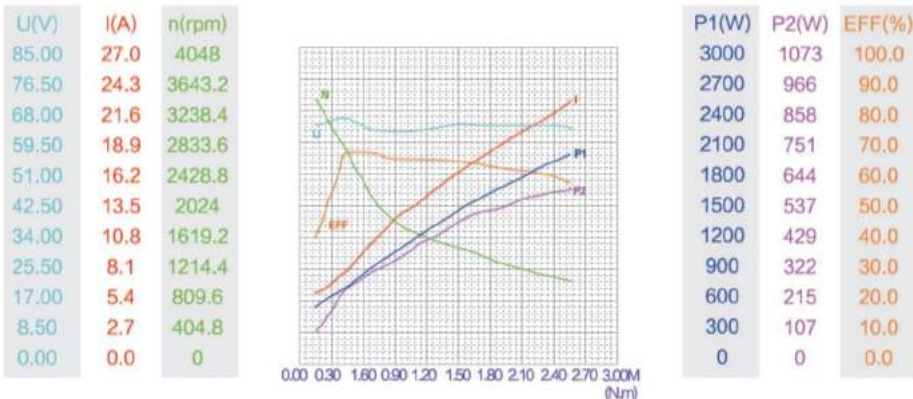


特性参数 Parameter

空载点 (Unload) :	
转速 (n)	= 5342 (rpm)
电流 (A)	= 8.314 (A)
最大转矩点 (Max_Torque)	
转矩 (M)	= 6.230 (N.m)
电流 (I)	= 67.200 (A)
转速 (n)	= 2949 (rpm)
效率 (Eff)	= 59.78 (%)
输出功率 (P2)	= 1923.00 (W)
最大效率点 (Max_Efficiency)	
效率 (Eff)	= 68.89 (%)
转速 (n)	= 3879 (rpm)
转矩 (M)	= 2.970 (N.m)
电流 (I)	= 35.790 (A)
输出功率 (P2)	= 1208.00 (W)
最大输出功率点 (Max_Pout)	
效率 (Eff)	= 59.78 (%)
转速 (n)	= 2949 (rpm)
转矩 (M)	= 6.230 (N.m)
电流 (I)	= 67.200 (A)
输出功率 (P2)	= 1923.00 (W)

电机负载特性曲线 Motor Load Characteristic Curve

客户名称/Customer		额定电压/Voltage	60(V)
电机型号/NO	ZDY618	额定功率/Power Rated	0.8KW
电机编号/Number	618-1	额定转速/Speed Rated	3200R/MIN
测试人员/Tester	6	测试日期/Test Date	2015-09-28



空载点 (Unload) :	
转速 (n)	= 3373 (rpm)
电流 (A)	= 7.947 (A)
最大转矩点 (Max_Torque)	
转矩 (M)	= 2.700 (N.m)
电流 (I)	= 22.620 (A)
转速 (n)	= 2098 (rpm)
效率 (Eff)	= 43.66 (%)
输出功率 (P2)	= 592.60 (W)
最大效率点 (Max_Efficiency)	
效率 (Eff)	= 44.89 (%)
转速 (n)	= 2221 (rpm)
转矩 (M)	= 2.340 (N.m)
电流 (I)	= 20.340 (A)
输出功率 (P2)	= 545.10 (W)
最大输出功率点 (Max_Pout)	
效率 (Eff)	= 43.66 (%)
转速 (n)	= 2098 (rpm)
转矩 (M)	= 2.700 (N.m)
电流 (I)	= 22.620 (A)
输出功率 (P2)	= 592.60 (W)

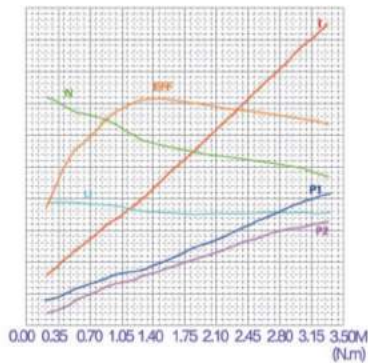
ZDY113 ZDY211 ZDY112 ZDY212



电机负载特性曲线 Motor Load Characteristic Curve

客户名称/Customer	电机型号/NO	额定电压/Voltage	12(V)
	ZDY113	额定功率/Power Rated	0.8KW
电机编号/Number	140429-3	额定转速/Speed Rated	3500R/MIN
测试人员/Tester	6	测试日期/Test Date	2014-05-29

U(V)	I(A)	n(rpm)
34.00	170.0	7417
30.60	153.0	6675.3
27.20	136.0	5933.6
23.80	119.0	5191.9
20.40	102.0	4450.2
17.00	85.0	3708.5
13.60	68.0	2966.8
10.20	51.0	2225.1
6.80	34.0	1483.4
3.40	17.0	741.7
0.00	0.0	0



P1(W)	P2(W)	EFF(%)
4615	3720	100.0
4154	3348	90.0
3692	2976	80.0
3231	2604	70.0
2769	2232	60.0
2308	1860	50.0
1846	1488	40.0
1385	1116	30.0
923	744	20.0
462	372	10.0
0	0	0.0

特性参数 Parameter

起始点 (Unload) :

转速 (n)	=	5299 (rpm)
电流 (I)	=	26.970 (A)

最大转矩点 (Max_Torque)

转矩 (M)	=	3.350 (N.m)
电流 (I)	=	162.280 (A)
转速 (n)	=	3460 (rpm)
效率 (Eff)	=	62.85 (%)
输出功率 (P2)	=	1215.10 (W)

最大效率点 (Max_Efficiency)

效率 (Eff)	=	71.11 (%)
转速 (n)	=	4278 (rpm)
转矩 (M)	=	1.320 (N.m)
电流 (I)	=	68.990 (A)
输出功率 (P2)	=	592.20 (W)

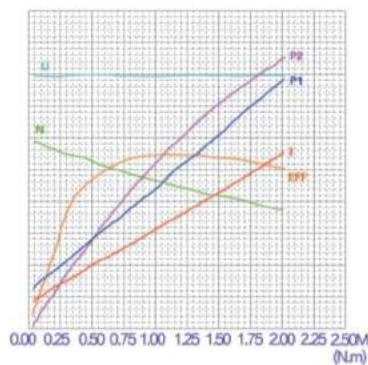
最大输出功率点 (Max_Pout)

效率 (Eff)	=	62.85 (%)
转速 (n)	=	3460 (rpm)
转矩 (M)	=	3.350 (N.m)
电流 (I)	=	162.280 (A)
输出功率 (P2)	=	1215.10 (W)

电机负载特性曲线 Motor Load Characteristic Curve

客户名称/Customer	电机型号/NO	额定电压/Voltage	24(V)
	ZDY211	额定功率/Power Rated	0.8KW
电机编号/Number	211	额定转速/Speed Rated	3600R/MIN
测试人员/Tester	6	测试日期/Test Date	2017-01-01

U(V)	I(A)	n(rpm)
30.00	100.0	8630
27.00	90.0	7767
24.00	80.0	6904
21.00	70.0	6041
18.00	60.0	5178
15.00	50.0	4315
12.00	40.0	3452
9.00	30.0	2589
6.00	20.0	1726
3.00	10.0	863
0.00	0.0	0



P1(W)	P2(W)	EFF(%)
1700	800	100.0
1530	720	90.0
1360	640	80.0
1190	560	70.0
1020	480	60.0
850	400	50.0
680	320	40.0
510	240	30.0
340	160	20.0
170	80	10.0
0	0	0.0

空载点 (Unload) :

转速 (n)	=	5120 (rpm)
电流 (A)	=	9.310 (A)

最大转矩点 (Max_Torque)

转矩 (M)	=	2.024 (N.m)
电流 (I)	=	56.230 (A)
转速 (n)	=	3242 (rpm)
效率 (Eff)	=	50.78 (%)
输出功率 (P2)	=	687.10 (W)

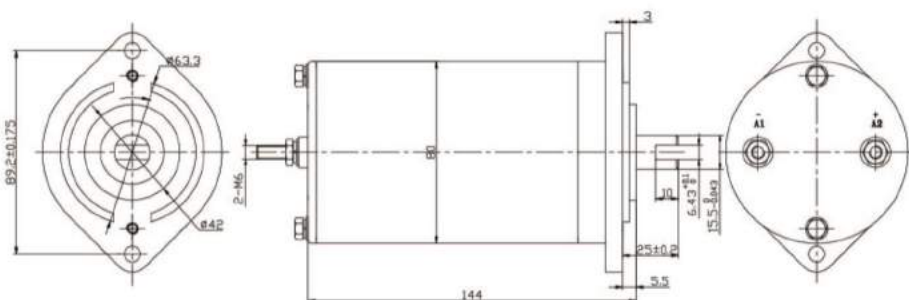
最大效率点 (Max_Efficiency)

效率 (Eff)	=	55.58 (%)
转速 (n)	=	4056 (rpm)
转矩 (M)	=	0.990 (N.m)
电流 (I)	=	31.520 (A)
输出功率 (P2)	=	420.50 (W)

最大输出功率点 (Max_Pout)

效率 (Eff)	=	50.78 (%)
转速 (n)	=	3242 (rpm)
转矩 (M)	=	2.024 (N.m)
电流 (I)	=	56.230 (A)
输出功率 (P2)	=	687.10 (W)

外形尺寸图 Outline Dimension

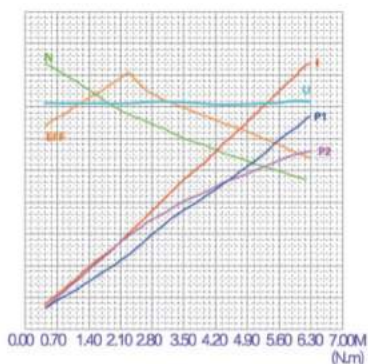


型号/Type	电压/Voltage	功率/Power	转速/Speed	转向/Rotation	外径/O.D
ZDY113	12V	0.8KW	3600RPM	CW//顺时针	80mm
ZDY211	24V	0.8KW	3600RPM	CW//顺时针	80mm
ZDY112	12V	0.5KW	2300RPM	CW//顺时针	80mm
ZDY212	24V	0.5KW	2300RPM	CW//顺时针	80mm

电机负载特性曲线 Motor Load Characteristic Curve

客户名称/Customer	ZDY112	额定电压/Voltage	12(V)
电机型号/NO	2	额定功率/Power Rated	0.5KW
电机编号/Number	6	额定转速/Speed Rated	2700R/MIN
测试人员/Tester		测试日期/Test Date	2016-09-12

U(V)	I(A)	n(rpm)
17.00	118.0	4919
15.30	106.2	4427.1
13.60	94.4	3935.2
11.90	82.6	3443.3
10.20	70.8	2951.4
8.50	59.0	2459.5
6.80	47.2	1967.6
5.10	35.4	1475.7
3.40	23.6	983.8
1.70	11.8	491.9
0.00	0.0	0



P1(W)	P2(W)	EFF(%)
1793	1144	100.0
1614	1030	90.0
1434	915	80.0
1255	801	70.0
1076	686	60.0
897	572	50.0
717	458	40.0
538	343	30.0
359	229	20.0
179	114	10.0
0	0	0.0

特性参数 Parameter

空载点 (Unload) :

转速 (n)	=	4099 (rpm)
电流 (I)	=	8.609 (A)

最大转矩点 (Max_Torque)

转矩 (M)	=	2.670 (N.m)
电流 (I)	=	98.780 (A)
转速 (n)	=	2273 (rpm)
效率 (Eff)	=	53.16 (%)
输出功率 (P2)	=	635.80 (W)

最大效率点 (Max_Efficiency)

效率 (Eff)	=	80.46 (%)
转速 (n)	=	3279 (rpm)
转矩 (M)	=	0.965 (N.m)
电流 (I)	=	34.530 (A)
输出功率 (P2)	=	331.30 (W)

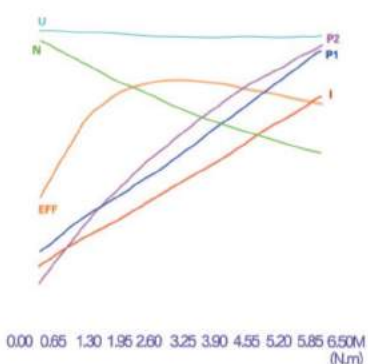
最大输出功率点 (Max_Pout)

效率 (Eff)	=	53.16 (%)
转速 (n)	=	2273 (rpm)
转矩 (M)	=	2.670 (N.m)
电流 (I)	=	98.780 (A)
输出功率 (P2)	=	635.80 (W)

电机负载特性曲线 Motor Load Characteristic Curve

客户名称/Customer	ZDY212	额定电压/Voltage	24(V)
电机型号/NO	1	额定功率/Power Rated	500(W)
电机编号/Number	6	额定转速/Speed Rated	3000R/MIN
测试人员/Tester		测试日期/Test Date	2014-01-01

U(V)	I(A)	n(rpm)
26.00	57.0	5922
23.40	51.3	5329.8
20.80	45.6	4737.6
18.20	39.9	4145.4
15.60	34.2	3553.2
13.00	28.5	2961
10.40	22.8	2368.8
7.80	17.1	1776.6
5.20	11.4	1184.4
2.60	5.7	592.2
0.00	0.0	0



P1(W)	P2(W)	EFF(%)
1140	798	100.0
1026	718	90.0
912	638	80.0
798	559	70.0
684	479	60.0
570	399	50.0
456	319	40.0
342	239	30.0
228	160	20.0
114	80	10.0
0	0	0.0

空载点 (Unload) :

转速 (n)	=	5404 (rpm)
电流 (A)	=	11.140 (A)

最大转矩点 (Max_Torque)

转矩 (M)	=	2.080 (N.m)
电流 (I)	=	41.770 (A)
转速 (n)	=	3275 (rpm)
效率 (Eff)	=	70.95 (%)
输出功率 (P2)	=	713.80 (W)

最大效率点 (Max_Efficiency)

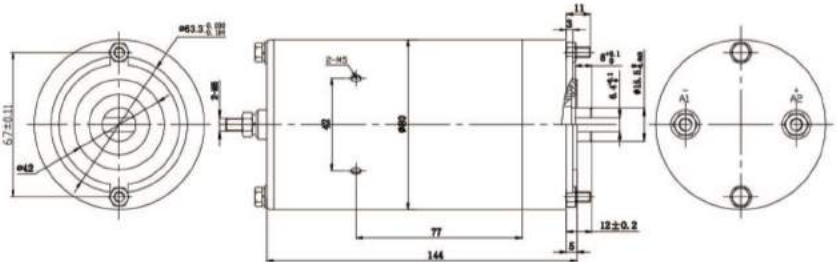
效率 (Eff)	=	78.38 (%)
转速 (n)	=	4189 (rpm)
转矩 (M)	=	1.070 (N.m)
电流 (I)	=	25.050 (A)
输出功率 (P2)	=	471.00 (W)

最大输出功率点 (Max_Pout)

效率 (Eff)	=	70.95 (%)
转速 (n)	=	3275 (rpm)
转矩 (M)	=	2.080 (N.m)
电流 (I)	=	41.770 (A)
输出功率 (P2)	=	713.80 (W)

ZDY211S ZDY113S

外形尺寸图 Outline Dimension

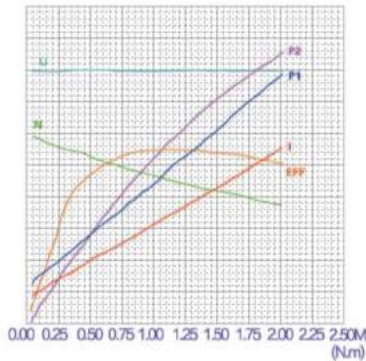


型号/Type	电压/Voltage	功率/Power	转速/Speed	转向/Rotation	外径/O.D
ZDY211S	24V	0.8KW	3100RPM	CCW/逆时针	80mm
ZDY113S	12V	0.8KW	3200RPM	CCW/逆时针	80mm

电机负载特性曲线 Motor Load Characteristic Curve

客户名称/Customer	电机型号/NO	电机编号/Number	测试人员/Tester	ZDY211S	211S-1	6	额定电压/Voltage	24(V)
							额定功率/Power Rated	0.8KW(W)
							额定转速/Speed Rated	3600R/MIN
							测试日期/Test Date	2017-01-01

U(V)	I(A)	n(rpm)
30.00	100.0	8630
27.00	90.0	7767
24.00	80.0	6904
21.00	70.0	6041
18.00	60.0	5178
15.00	50.0	4315
12.00	40.0	3452
9.00	30.0	2589
6.00	20.0	1726
3.00	10.0	863
0.00	0.0	0



P1(W)	P2(W)	EFF(%)
1700	800	100.0
1530	720	90.0
1360	640	80.0
1190	560	70.0
1020	480	60.0
850	400	50.0
680	320	40.0
510	240	30.0
340	160	20.0
170	80	10.0
0	0	0.0

特性参数 Parameter

空载点 (Unload) :
 转速 (n) = 5120 (rpm)
 电流 (A) = 9.310 (A)

最大转矩点 (Max_Torque)
 转矩 (M) = 2.024 (N.m)
 电流 (I) = 56.230 (A)
 转速 (n) = 3242 (rpm)
 效率 (Eff) = 50.78 (%)
 输出功率 (P2) = 687.10 (W)

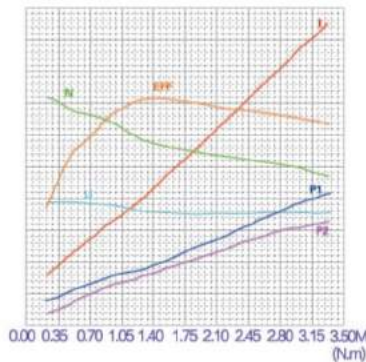
最大效率点 (Max_Efficiency)
 效率 (Eff) = 55.58 (%)
 转速 (n) = 4056 (rpm)
 转矩 (M) = 0.990 (N.m)
 电流 (I) = 31.520 (A)
 输出功率 (P2) = 420.50 (W)

最大输出功率点 (Max_Pout)
 效率 (Eff) = 50.78 (%)
 转速 (n) = 3242 (rpm)
 转矩 (M) = 2.024 (N.m)
 电流 (I) = 56.230 (A)
 输出功率 (P2) = 687.10 (W)

电机负载特性曲线 Motor Load Characteristic Curve

客户名称/Customer	电机型号/NO	电机编号/Number	测试人员/Tester	ZDY113S	140429-3	6	额定电压/Voltage	12(V)
							额定功率/Power Rated	0.8KW (W)
							额定转速/Speed Rated	3500R/MIN
							测试日期/Test Date	2014-05-29

U(V)	I(A)	n(rpm)
34.00	170.0	7417
30.60	153.0	6675.3
27.20	136.0	5933.6
23.80	119.0	5191.9
20.40	102.0	4450.2
17.00	85.0	3708.5
13.60	68.0	2966.8
10.20	51.0	2225.1
6.80	34.0	1483.4
3.40	17.0	741.7
0.00	0.0	0



P1(W)	P2(W)	EFF(%)
4615	3720	100.0
4154	3348	90.0
3692	2976	80.0
3231	2604	70.0
2769	2232	60.0
2308	1860	50.0
1846	1488	40.0
1385	1116	30.0
923	744	20.0
462	372	10.0
0	0	0.0

起始点 (Unload) :
 转速 (n) = 5299 (rpm)
 电流 (I) = 26.970 (A)

最大转矩点 (Max_Torque)
 转矩 (M) = 3.350 (N.m)
 电流 (I) = 162.280 (A)
 转速 (n) = 3460 (rpm)
 效率 (Eff) = 62.85 (%)
 输出功率 (P2) = 1215.10 (W)

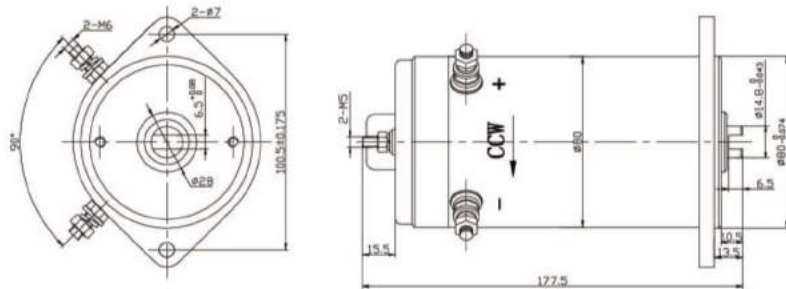
最大效率点 (Max_Efficiency)
 效率 (Eff) = 71.11 (%)
 转速 (n) = 4278 (rpm)
 转矩 (M) = 1.320 (N.m)
 电流 (I) = 68.990 (A)
 输出功率 (P2) = 592.20 (W)

最大输出功率点 (Max_Pout)
 效率 (Eff) = 62.85 (%)
 转速 (n) = 3460 (rpm)
 转矩 (M) = 3.350 (N.m)
 电流 (I) = 162.280 (A)
 输出功率 (P2) = 1215.10 (W)



ZDY24800

外形尺寸图 Outline Dimension

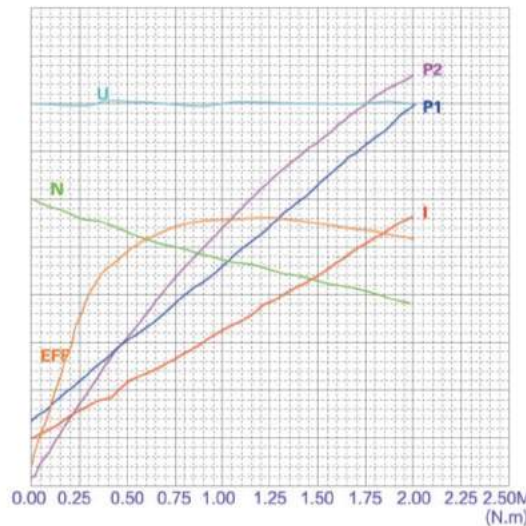


型号/Type	电压/Voltage	功率/Power	转速/Speed	转向/Rotation	外径/O.D
ZDY24800	24V	0.8KW	3200RPM	CCW/逆时针	80mm

电机负载特性曲线 Outline Dimension

客户名称/Customer	额定电压/Voltage	24(V)
电机型号/NO	额定功率/Power Rated	0.8KW
电机编号/Number	额定转速/Speed Rated	3600R/MIN
测试人员/Tester	测试日期/Test Date	2007-01-01

U(V)	I(A)	n(rpm)
30.00	100.0	8630
27.00	90.0	7767
24.00	80.0	6904
21.00	70.0	6041
18.00	60.0	5178
15.00	50.0	4315
12.00	40.0	3452
9.00	30.0	2589
6.00	20.0	1726
3.00	10.0	863
0.00	0.0	0



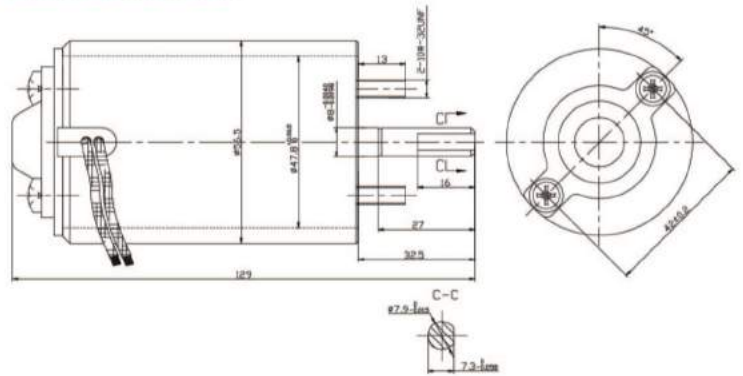
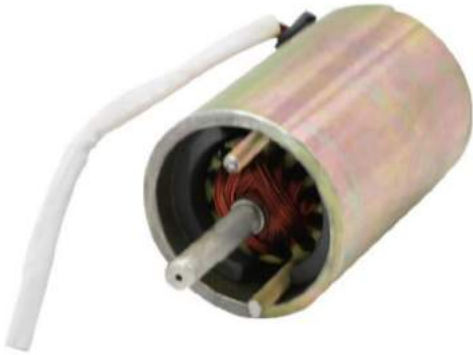
P1(W)	P2(W)	EFF(%)
1700	800	100.0
1530	720	90.0
1360	640	80.0
1190	560	70.0
1020	480	60.0
850	400	50.0
680	320	40.0
510	240	30.0
340	160	20.0
170	80	10.0
0	0	0.0

特性参数 Parameter

空载点 (Unload) :	最大转矩点 (Max_Torque)	最大效率点 (Max_Efficiency)	最大输出功率点 (Max_Pout)
转速 (n) = 5120 (rpm)	转矩 (M) = 2.024 (N.m)	效率 (Eff) = 55.58 (%)	效率 (Eff) = 50.78 (%)
电流 (I) = 9.310 (A)	电流 (I) = 56.230 (A)	转速 (n) = 4056 (rpm)	转速 (n) = 3242 (rpm)
	转速 (n) = 3242 (rpm)	转矩 (M) = 0.990 (N.m)	转矩 (M) = 2.024 (N.m)
	效率 (Eff) = 50.78 (%)	电流 (I) = 31.520 (A)	电流 (I) = 56.230 (A)
	输出功率 (P2) = 687.10 (W)	输出功率 (P2) = 420.50 (W)	输出功率 (P2) = 687.10 (W)

ZDY1256

外形尺寸图 Outline Dimension

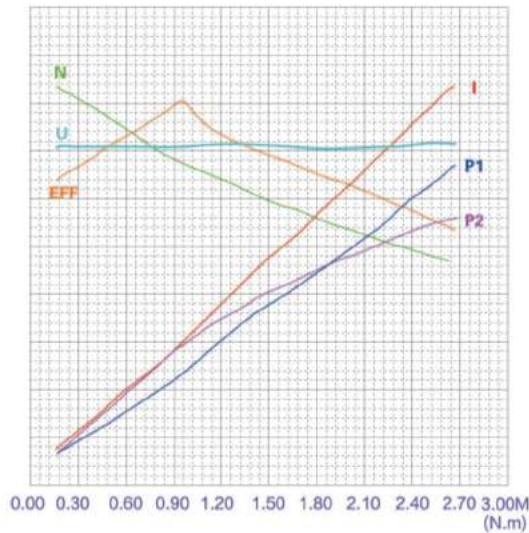


型号/Type	电压/Voltage	功率/Power	转速/Speed	转向/Rotation	外径/O.D
ZDY1256	12V	200W	3000RPM	BI-DIRECTIONAL/双向	56mm

电机负载特性曲线 Outline Dimension

客户名称/Customer		额定电压/Voltage	12(V)
电机型号/NO	ZDY1256	额定功率/Power Rated	200W
电机编号/Number	2	额定转速/Speed Rated	2700R/MIN
测试人员/Tester	6	测试日期/Test Date	2016-09-12

U(V)	I(A)	n(rpm)
17.00	118.0	4919
15.30	106.2	4427.1
13.60	94.4	3935.2
11.90	82.6	3443.3
10.20	70.8	2951.4
8.50	59.0	2459.5
6.80	47.2	1967.6
5.10	35.4	1475.7
3.40	23.6	983.8
1.70	11.8	491.9
0.00	0.0	0



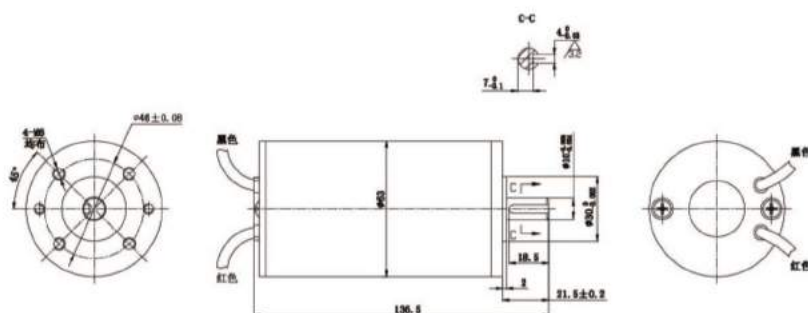
P1(W)	P2(W)	EFF(%)
1793	1144	100.0
1614	1030	90.0
1434	915	80.0
1255	801	70.0
1076	686	60.0
897	572	50.0
717	458	40.0
538	343	30.0
359	229	20.0
179	114	10.0
0	0	0.0

特性参数 Parameter

空载点 (Unload) :	最大转矩点 (Max_Torque)	最大效率点 (Max_Efficiency)	最大输出功率点 (Max_Pout)
转速 (n) = 4099 (rpm)	转矩 (M) = 2.670 (N.m)	效率 (Eff) = 80.46 (%)	效率 (Eff) = 53.16 (%)
电流 (I) = 8.609 (A)	电流 (I) = 98.780 (A)	转速 (n) = 3279 (rpm)	转速 (n) = 2273 (rpm)
	转速 (n) = 2273 (rpm)	转矩 (M) = 0.965 (N.m)	转矩 (M) = 2.670 (N.m)
	效率 (Eff) = 53.16 (%)	电流 (I) = 34.530 (A)	电流 (I) = 98.780 (A)
	输出功率 (P2) = 635.80 (W)	输出功率 (P2) = 331.30 (W)	输出功率 (P2) = 635.80 (W)

N2463

外形尺寸图 Outline Dimension

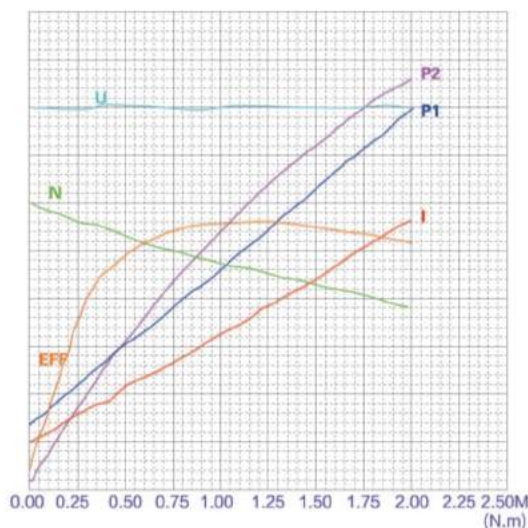


型号/Type	电压/Voltage	功率/Power	转速/Speed	转向/Rotation	外径/O.D
N2463	24V	200W	3000RPM	BI-DIRECTIONAL/双向	63mm

电机负载特性曲线 Outline Dimension

客户名称/Customer	额定电压/Voltage	24(V)
电机型号/NO	额定功率/Power Rated	200W
电机编号/Number	额定转速/Speed Rated	3000R/MIN
测试人员/Tester	测试日期/Test Date	2007-01-01

U(V)	I(A)	n(rpm)
30.00	100.0	8630
27.00	90.0	7767
24.00	80.0	6904
21.00	70.0	6041
18.00	60.0	5178
15.00	50.0	4315
12.00	40.0	3452
9.00	30.0	2589
6.00	20.0	1726
3.00	10.0	863
0.00	0.0	0



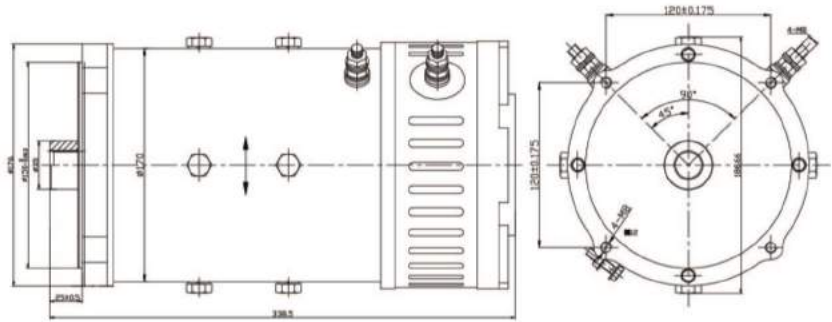
P1(W)	P2(W)	EFF(%)
1700	800	100.0
1530	720	90.0
1360	640	80.0
1190	560	70.0
1020	480	60.0
850	400	50.0
680	320	40.0
510	240	30.0
340	160	20.0
170	80	10.0
0	0	0.0

特性参数 Parameter

空载点 (Unload) :	最大转矩点 (Max_Torque)	最大效率点 (Max_Efficiency)	最大输出功率点 (Max_Pout)
转速 (n) = 5120 (rpm)	转矩 (M) = 2.024 (N.m)	效率 (Eff) = 55.58 (%)	效率 (Eff) = 50.78 (%)
电流 (I) = 9.310 (A)	电流 (I) = 56.230 (A)	转速 (n) = 4056 (rpm)	转速 (n) = 3242 (rpm)
	转速 (n) = 3242 (rpm)	转矩 (M) = 0.990 (N.m)	转矩 (M) = 2.024 (N.m)
	效率 (Eff) = 50.78 (%)	电流 (I) = 31.520 (A)	电流 (I) = 56.230 (A)
	输出功率 (P2) = 687.10 (W)	输出功率 (P2) = 420.50 (W)	输出功率 (P2) = 687.10 (W)

QZD4842

外形尺寸图 Outline Dimension

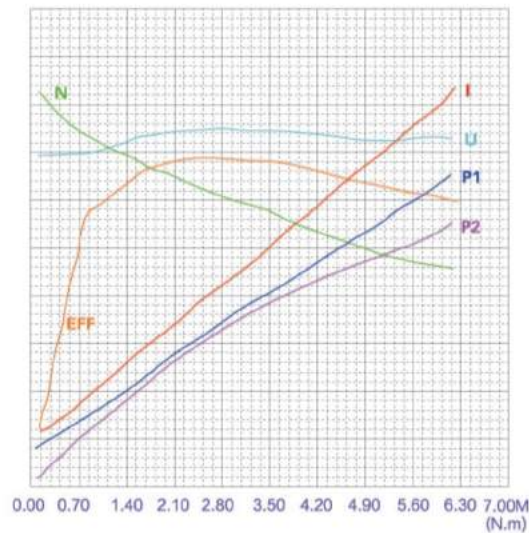


型号/Type	电压/Voltage	功率/Power	转速/Speed	转向/Rotation	外径/O.D
QZD4842	48V	4.0KW	2030RPM	BI-DIRECTIONAL双向	170mm

电机负载特性曲线 Outline Dimension

客户名称/Customer		额定电压/Voltage	48(V)
电机型号/NO	QZD4842	额定功率/Power Rated	2.0KW
电机编号/Number	1	额定转速/Speed Rated	2700R/MIN
测试人员/Tester	6	测试日期/Test Date	2016-05-28

U(V)	I(A)	n(rpm)
65.00	81.0	6410
58.50	72.9	5769
52.00	64.8	5128
45.50	56.7	4487
39.00	48.6	3846
32.50	40.5	3205
26.00	32.4	2564
19.50	24.3	1923
13.00	16.2	1282
6.50	8.1	641
0.00	0.0	0



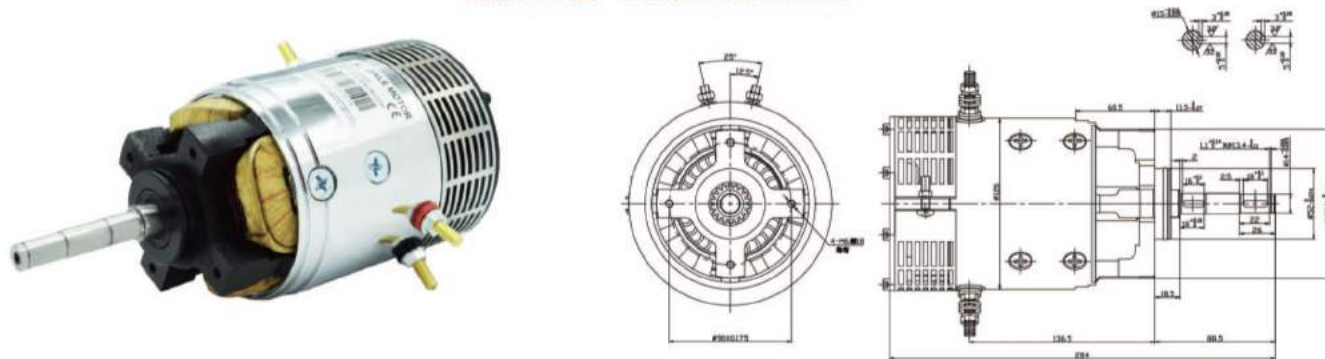
P1(W)	P2(W)	EFF(%)
4877	3491	100.0
4389	3142	90.0
3902	2793	80.0
3414	2444	70.0
2926	2095	60.0
2439	1746	50.0
1951	1396	40.0
1463	1047	30.0
975	698	20.0
488	349	10.0
0	0	0.0

特性参数 Parameter

空载点 (Unload) :	最大转矩点 (Max_Torque)	最大效率点 (Max_Efficiency)	最大输出功率点 (Max_Pout)
转速 (n) = 5342 (rpm)	转矩 (M) = 6.230 (N.m)	效率 (Eff) = 68.89 (%)	效率 (Eff) = 59.78 (%)
电流 (I) = 8.314 (A)	电流 (I) = 67.200 (A)	转速 (n) = 3879 (rpm)	转速 (n) = 2949 (rpm)
	转速 (n) = 2949 (rpm)	转矩 (M) = 2.970 (N.m)	转矩 (M) = 6.230 (N.m)
	效率 (Eff) = 59.78 (%)	电流 (I) = 35.790 (A)	电流 (I) = 67.200 (A)
	输出功率 (P2) = 1923.00 (W)	输出功率 (P2) = 1208.00 (W)	输出功率 (P2) = 1923.00 (W)

ZD2409A

外形尺寸图 Outline Dimension

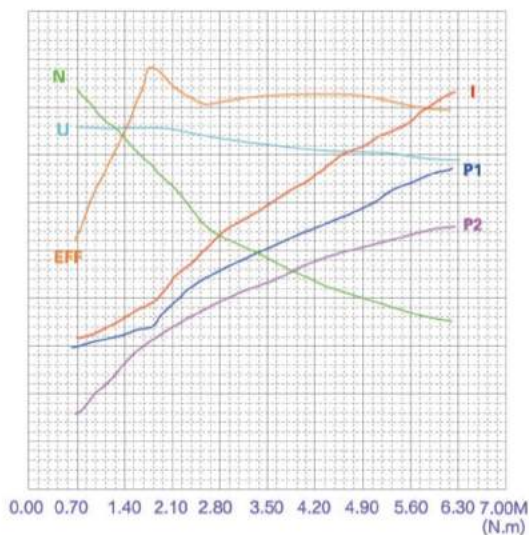


型号/Type	电压/Voltage	功率/Power	转速/Speed	转向/Rotation	外径/O.D
ZD2409A	24V	1.2KW	2350RPM	BI-DIRECTIONAL/双向	126mm

电机负载特性曲线 Outline Dimension

客户名称/Customer	额定电压/Voltage	24(V)
电机型号/NO	额定功率/Power Rated	1.2KW
电机编号/Number	额定转速/Speed Rated	2350R/MIN
测试人员/Tester	测试日期/Test Date	2013-10-23

U(V)	I(A)	n(rpm)
34.00	83.0	5736
30.60	74.7	5162.4
27.20	66.4	4588.8
23.80	58.1	4015.2
20.40	49.8	3441.6
17.00	41.5	2868
13.60	33.2	2294.4
10.20	24.9	1720.8
6.80	16.6	1147.2
3.40	8.3	573.6
0.00	0.0	0



P1(W)	P2(W)	EFF(%)
2427	2340	100.0
2184	2106	90.0
1942	1872	80.0
1699	1638	70.0
1456	1404	60.0
1214	1170	50.0
971	936	40.0
728	702	30.0
485	468	20.0
243	234	10.0
0	0	0.0

特性参数 Parameter

空载点 (Unload) :	最大转矩点 (Max_Torque)	最大效率点 (Max_Efficiency)	最大输出功率点 (Max_Pout)
转速 (n) = 4780 (rpm)	转矩 (M) = 6.250 (N.m)	效率 (Eff) = 87.73 (%)	效率 (Eff) = 79.35 (%)
电流 (I) = 25.230 (A)	电流 (I) = 68.960 (A)	转速 (n) = 3842 (rpm)	转速 (n) = 1949 (rpm)
	转速 (n) = 1949 (rpm)	转矩 (M) = 1.750 (N.m)	转矩 (M) = 6.250 (N.m)
	效率 (Eff) = 79.35 (%)	电流 (I) = 31.270 (A)	电流 (I) = 68.960 (A)
	输出功率 (P2) = 1276.50 (W)	输出功率 (P2) = 704.40 (W)	输出功率 (P2) = 1276.50 (W)

常州市恩荣液压科技有限公司
Changzhou Enrong Hydraulic Technology Co., Ltd



地址: 常州市武进区雪堰镇潘家永新路223号

电话: 0519-86057606

传真: 0519-86057606

手机: 13872715179/13808616677

[Http://www.xsh-hydraulics.com](http://www.xsh-hydraulics.com)